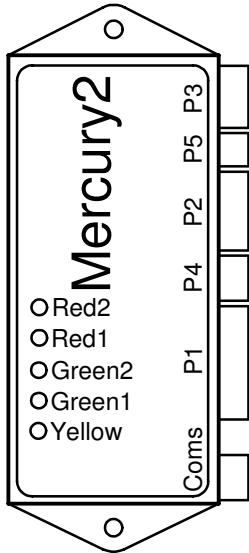


GP Fan Control

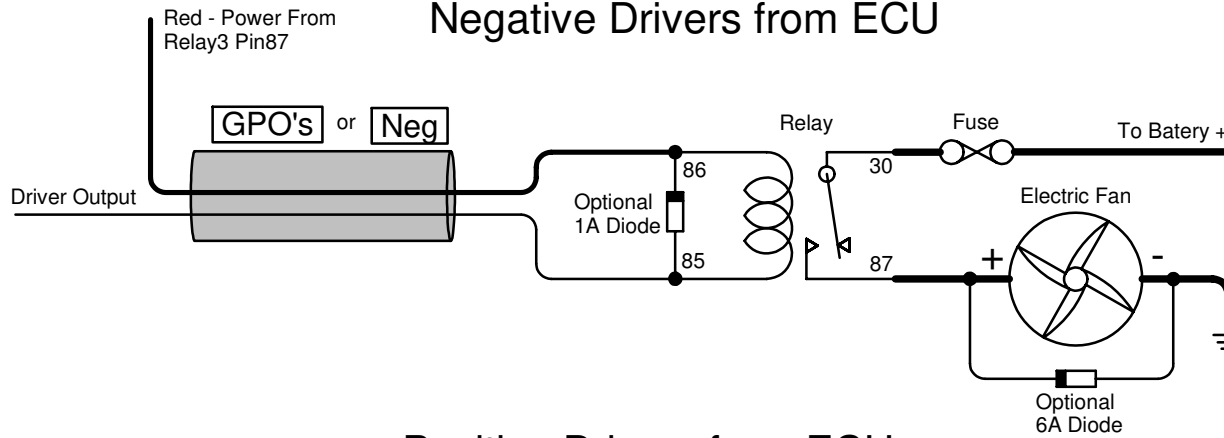
Last Changed: 11/11/2017

Harness Required: MEX01-2

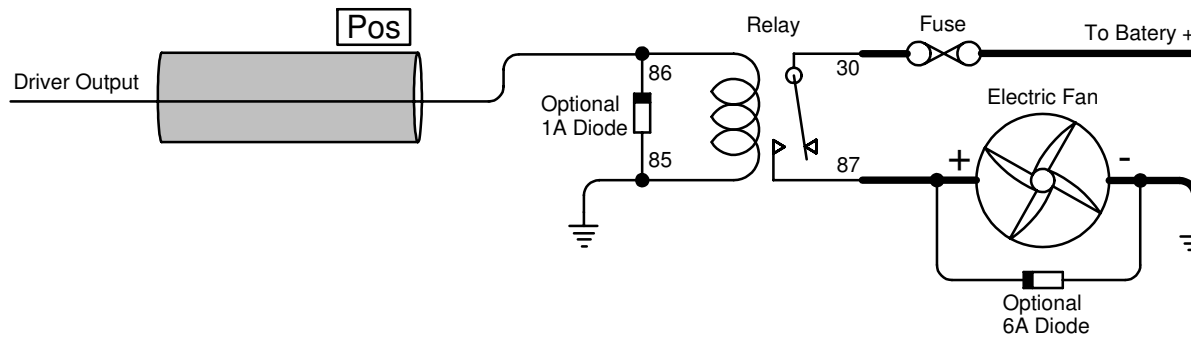
Note: The Optional Diodes can be added when interference is detected. The 1A will be required when interference comes when the fan is switched off. The 6A is required when the fan makes continuous interference while it is running. Make sure the stripe of the Diode is connected on the positive side.



Negative Drivers from ECU



Positive Drivers from ECU



Note: The connection to the Mercury ECU changes with the GP Output Priority selection, View the Priority spreadsheet for the specific firmware to see which output is selected. Then make sure on how to connect between the 2 options above. It could be connected on a negative or positive driver.

Software Settings

General Purpose Outputs

Output Selected Output 1

Driver Output GP Output 1

Output Settings

Water Temperature

Min 93 (°C) Max 98 (°C)