

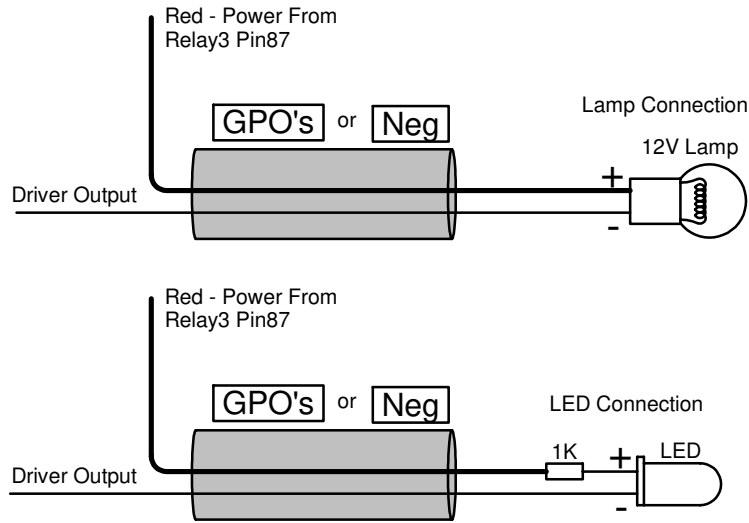
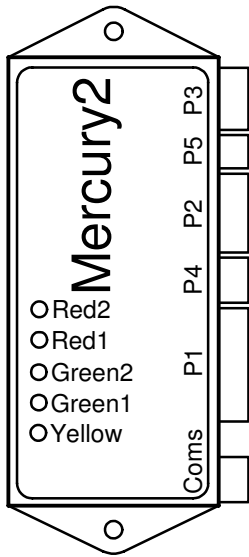
Lamp Control

Last Changed: 11/11/2017

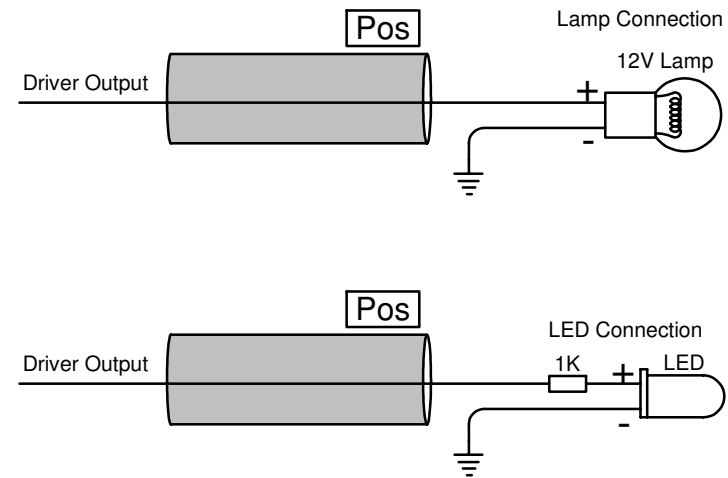
Harness Required: MEX01-2

Note: Make sure that the driver can handle the current requirement of your lamp. LED's require a current limit resistor. 1K Ohm is usually adequate for 12 volts. The software could be set for different output settings.

Negative Drivers from ECU



Positive Drivers from ECU



Note: The connection to the Mercury ECU changes with the GP Output Priority selection, View the Priority spreadsheet for the specific firmware to see which output is selected. Then make sure on how to connect between the 2 options above. It could be connected on a negative or positive driver.

Software Settings

General Purpose Outputs

Output Selected:

Driver Output: **GP Output 1**

Output Settings

Min: (°C) Max: (°C)