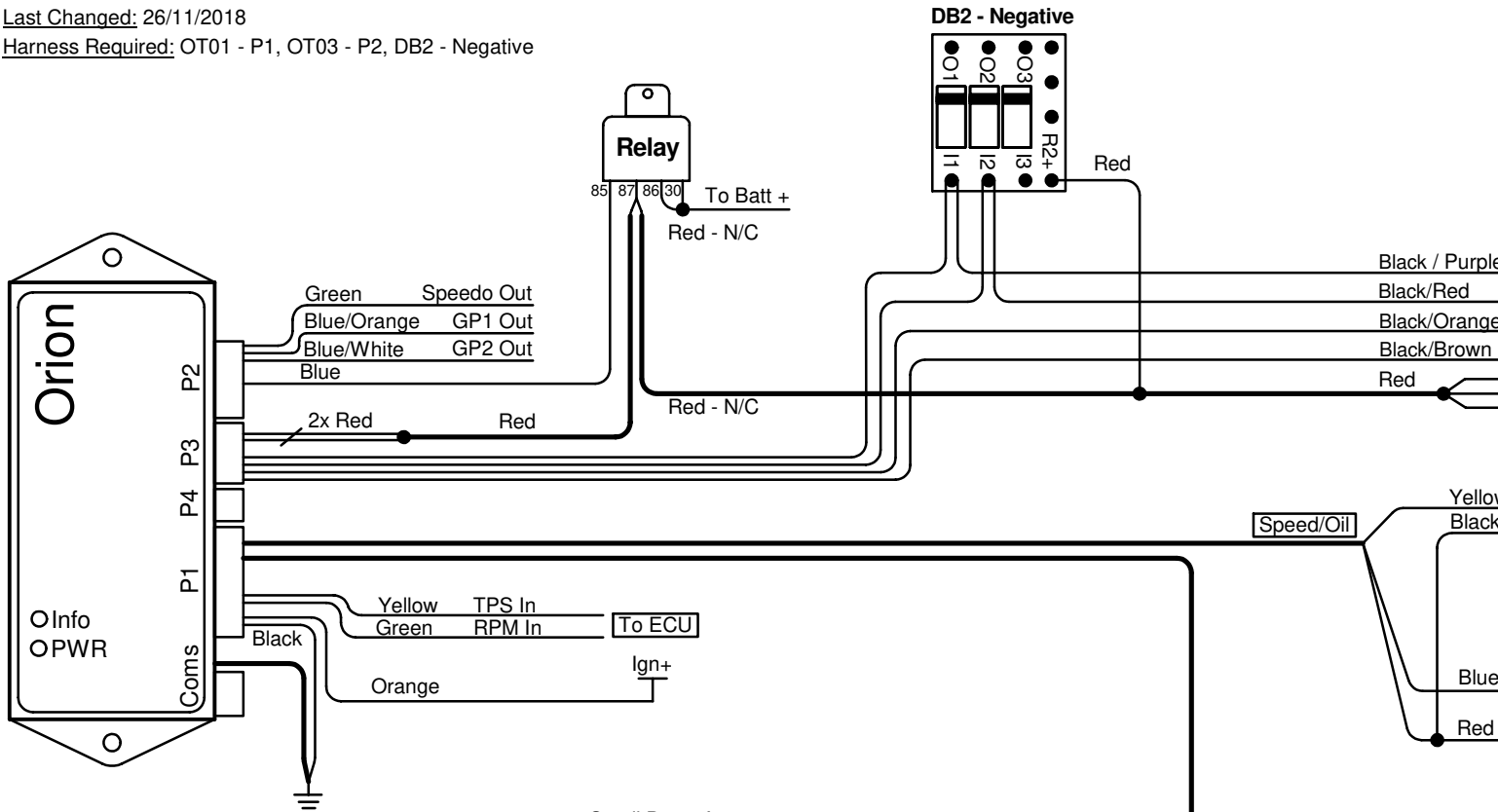


# Orion Ford AODE-4R70W

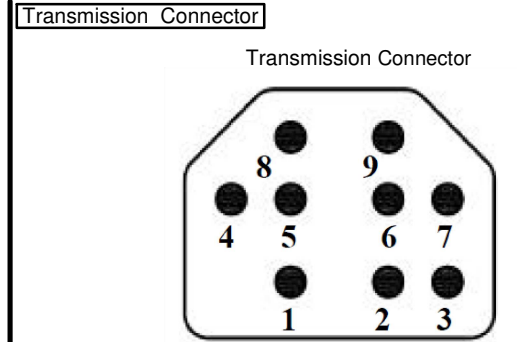
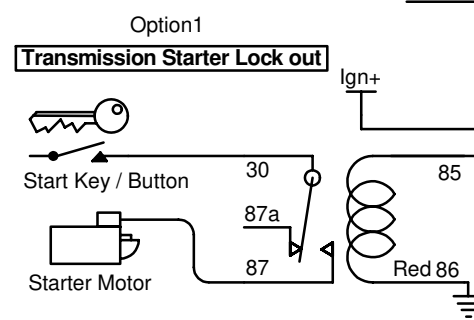
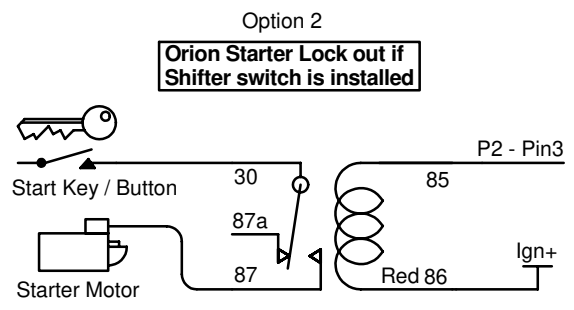
File Name: Orion Ford AODE-4R70W Drawing

Last Changed: 26/11/2018

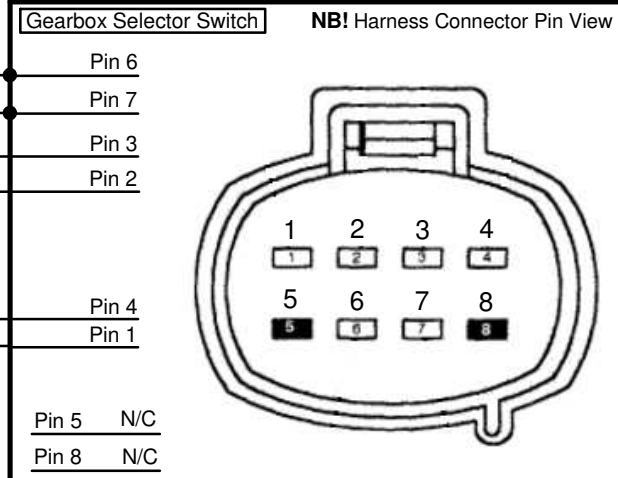
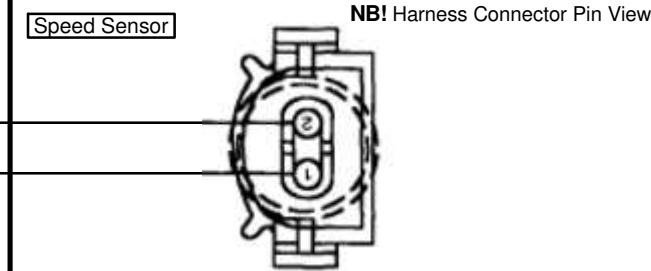
Harness Required: OT01 - P1, OT03 - P2, DB2 - Negative



Scroll Down for more info



Pin	Harness	Color	Description	Resistance
1	Gearbox	Black/Brown	Lockup	Cold Hot 1 - 3
2	+12V In	Red		
3	Gearbox	Black/Red	Shift 1	20 - 30
4	+12V In	Red		
5	+12V In	Red		
6	Gearbox	Black/Purple	Shift 2	20 - 30
7	Speed/Oil	Yellow	Oil Temp	
8	Gearbox	Black/Orange	Line Press	2.5 - 5.7
9	Speed/Oil	Black	Oil Temp	



Pin 5 N/C  
Pin 8 N/C

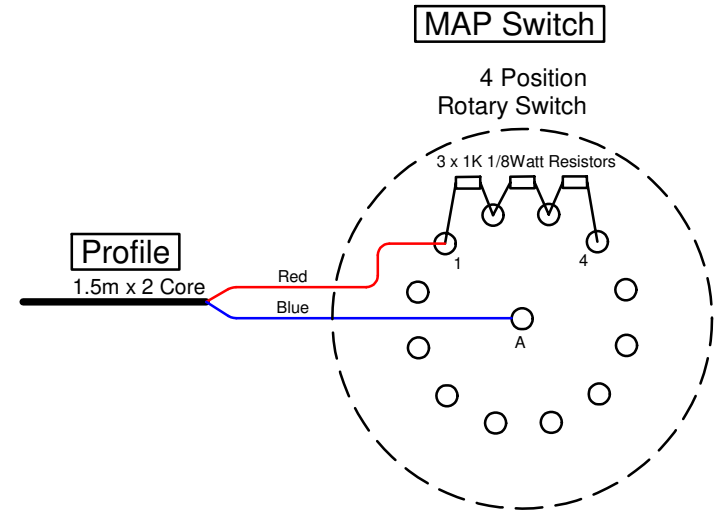
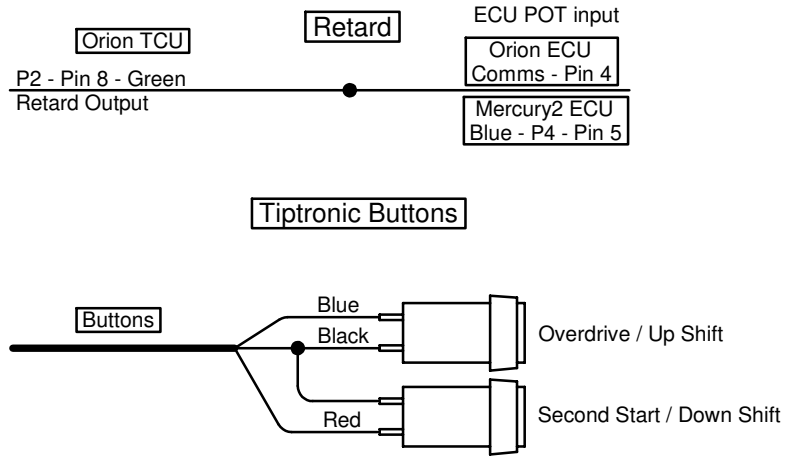
# Orion Ford AODE-4R70W

File Name: Orion Ford AODE-4R70W Drawing

Last Changed: 26/11/2018

Harness Required: OT01 - P1, OT03 - P2, DB2 - Negative

Ign+  
| Ignition Power  
|  
| Earth  
|  
**Terminal Connections  
with the same name  
are tied together**



**Note:** Harnesses pin-outs and colours are layed out on the GP Priority Sheet