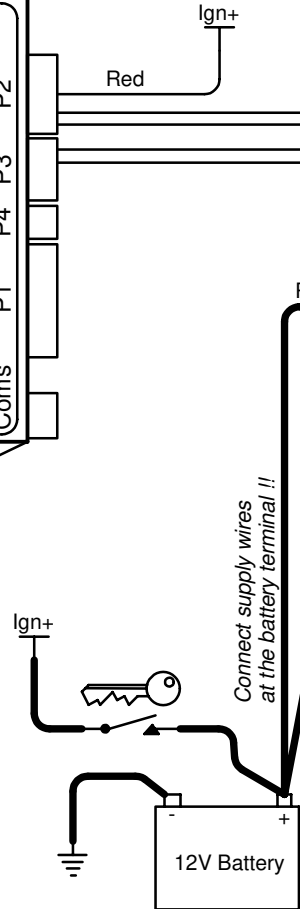
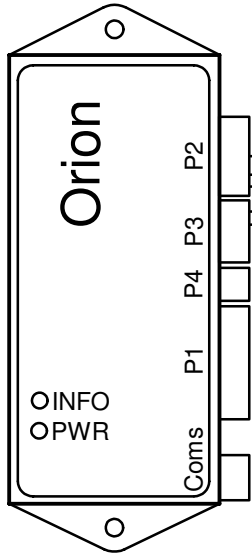


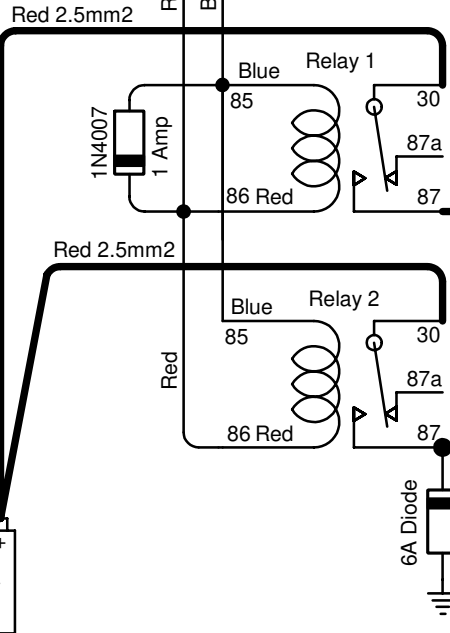
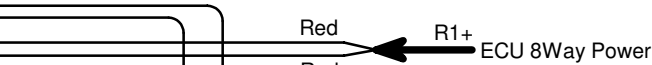
Orion Power Distribution

Last Changed: 31/01/2019

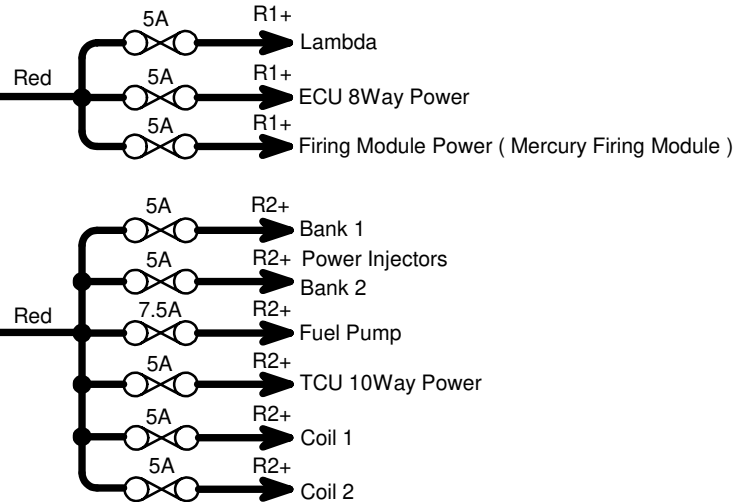
Harness Required: E33



NB! The Diode on 85 and 86 prevents the relay from making feedback on the Orion driver



NB! Relay 1 is used for clean power. Do not connect inductive loads on this relay.



NB! Relay 2 is used for inductive loads. If you have more than 3 Coils use a third Relay to share the load. Try and keep Coils on their own relay. Add the 6 Amp Diode on to pin 87. It will prevent inductive spikes from the coils to damage lower voltage drivers of the injectors.

P3

5	6	7	8
1	2	3	4

Harness Pin View

1.	Red/Yellow	-
2.	Red/Green	-
3.	Red	- +12V In
4.	Blue	-
5.	Red/White	-
6.	Red/Orange	-
7.	Red	- +12V In
8.	White	-

Connector Pinouts

P2

6	7	8	9	10
1	2	3	4	5

Harness Pin View

1.	Black/Purple	-
2.	Black/Orange	-
3.	Black/White	-
4.	Blue	- Power Relay
5.	Blue/Orange	-
6.	Black/Red	-
7.	Black/Brown	-
8.	Black/Yellow	-
9.	Green	-
10.	Blue/White	-

Connector Pinouts

