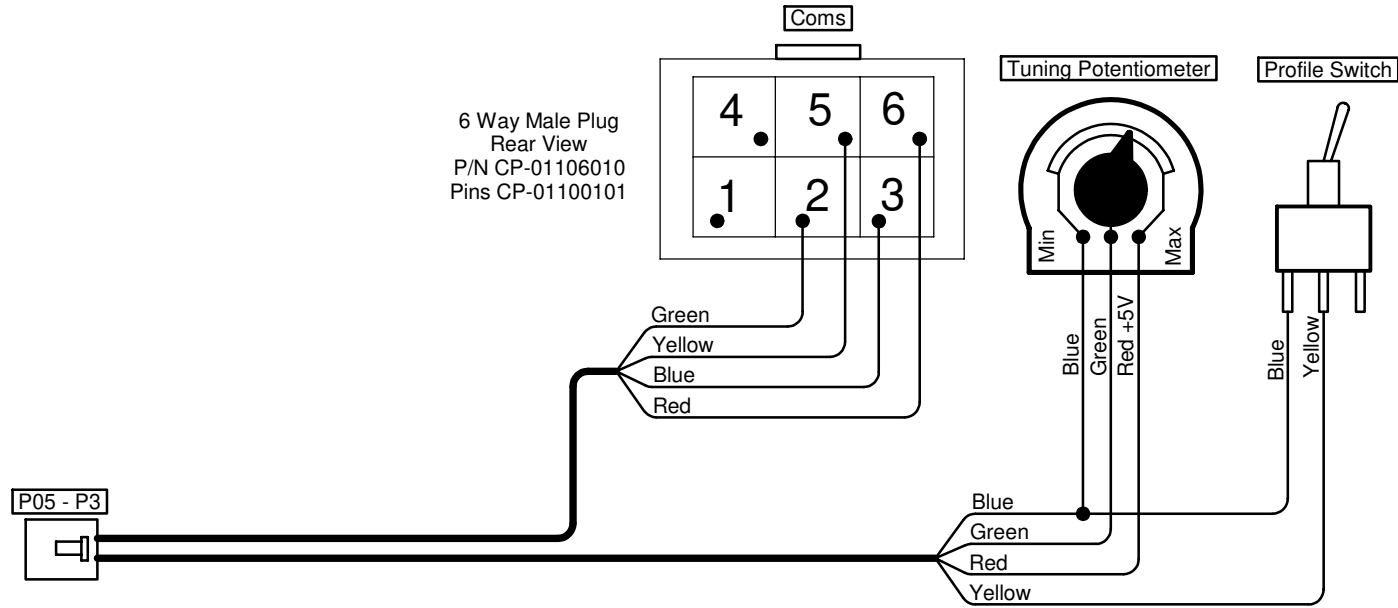


P05-Comms Inputs Drawing

File Name: P05-Comms Inputs Drawing

Last Changed: 13/11/2018



NB!!!

Remember to change the jumpers to Dual Map and POT input. Refer to jumper settings for more info.

Comms



Harness Pin View

1. Yellow	- Dual Map SW
2. Green	- TXD
3. Blue	- Ground
4. Green	- Potentiometer
5. Yellow	- RXD
6. Red	- +5V Out

Connector Pinouts