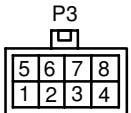
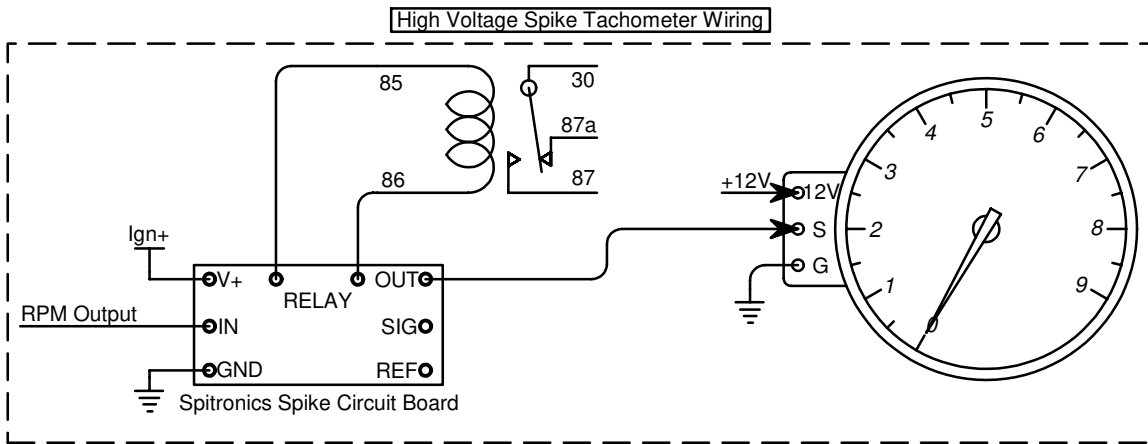
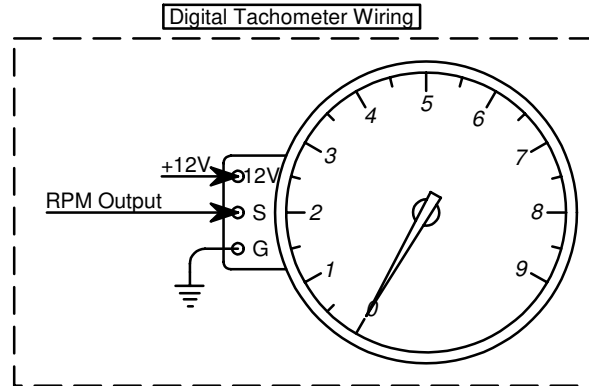
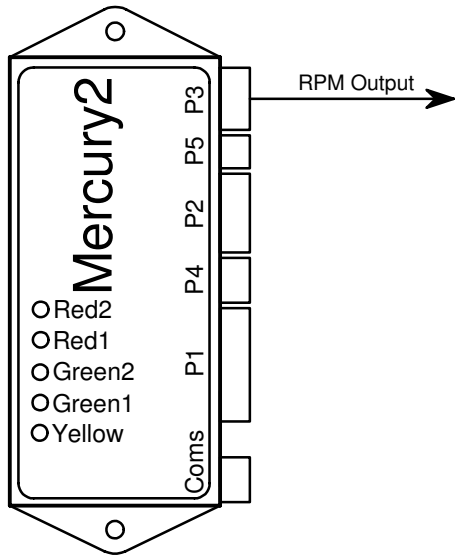


Tachometer Options

Last Changed: 11/11/2017



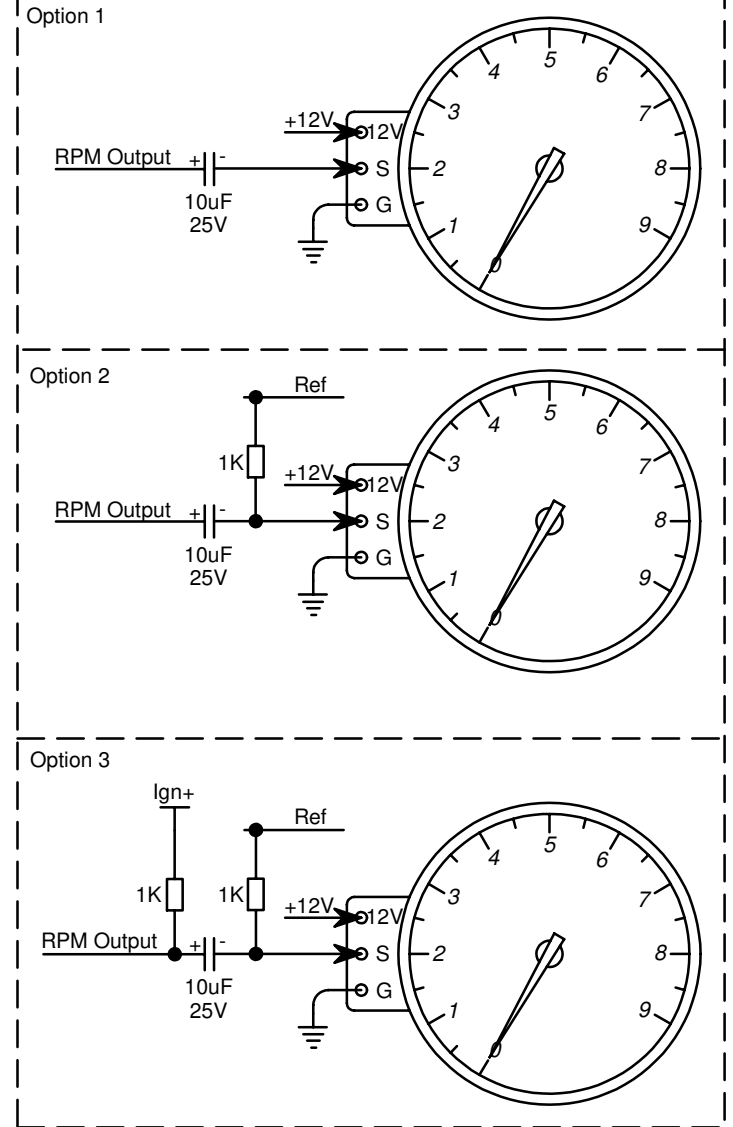
Harness Pin View

- 1. Black/Purple -
- 2. Black/Orange -
- 3. Black/White -
- 4. Blue/Orange -
- 5. Black/Red -
- 6. Black/Brown -
- 7. Black/Yellow -
- 8. Green - RPM Out

Connector Pinouts

NB!! Make sure of the type of Tachometer you have before cosing a connection. This will prevent damage to it. See the manual for more explanation on types.

Magnetic Pickup Tachometers



Software Settings

Auxiliary

Pulses/RPM