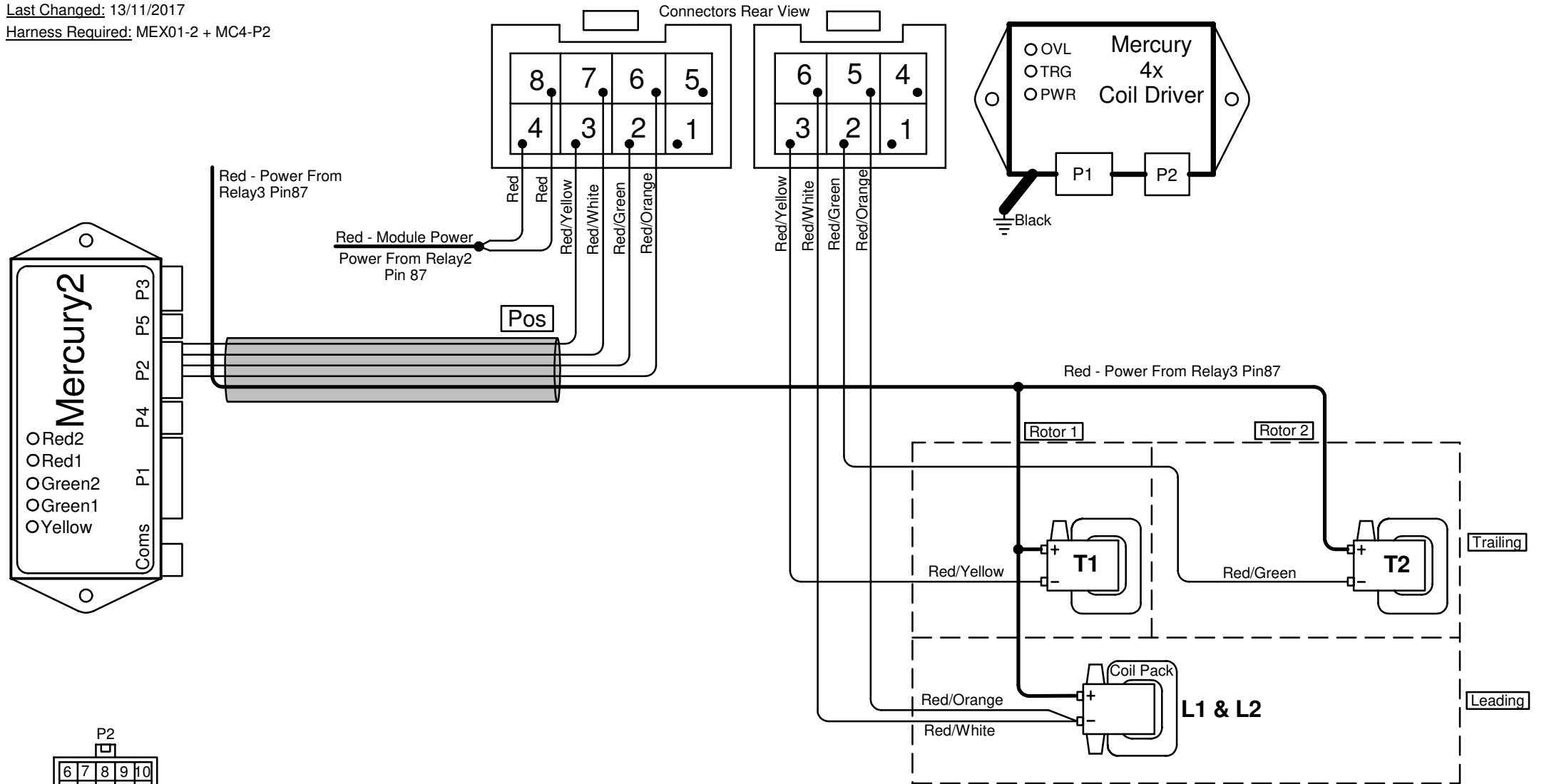


2Rotor W/S COP No Drv

Last Changed: 13/11/2017

Harness Required: MEX01-2 + MC4-P2



Harness Pin View

6	7	8	9	10
1	2	3	4	5

1.	Red/White	-	Coil Drv 1
2.	Red/Orange	-	Coil Drv 3
3.	Red/Blue	-	
4.	Blue/Red	-	
5.	Red	-	
6.	Red/Yellow	-	Coil Drv 2
7.	Red/Green	-	Coil Drv 4
8.	Red/Black	-	
9.		-	
10.	Red	-	

Connector Pinouts

Note: The 2 leading coil drivers are tied together on the wasted spark leading coil pack. Software must be set to wasted spark. The trailing coils cannot be shared with a coil pack.

Software Settings

Coil Combination

Wasted Spark Coil Pack