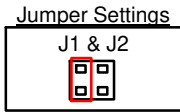
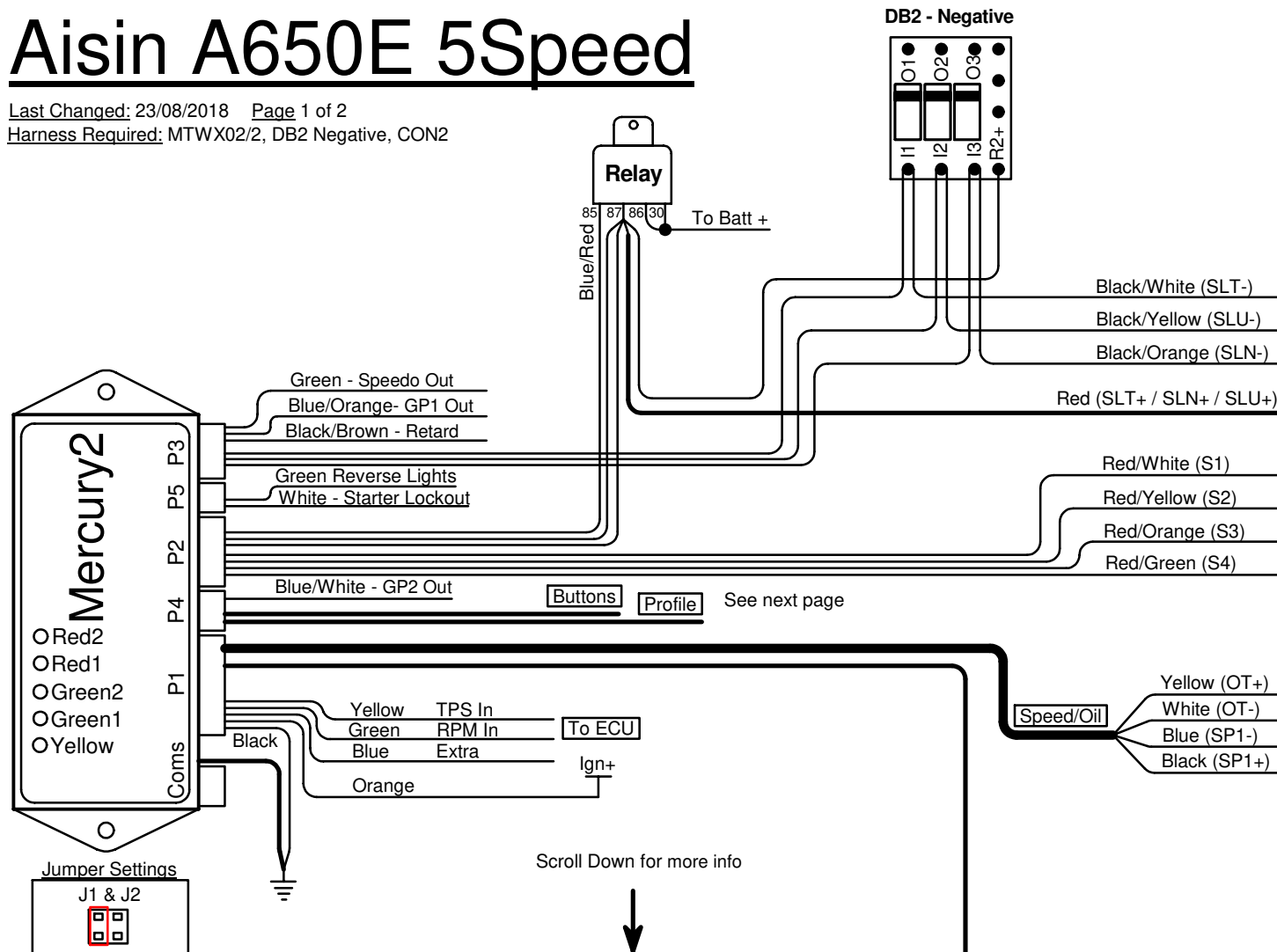
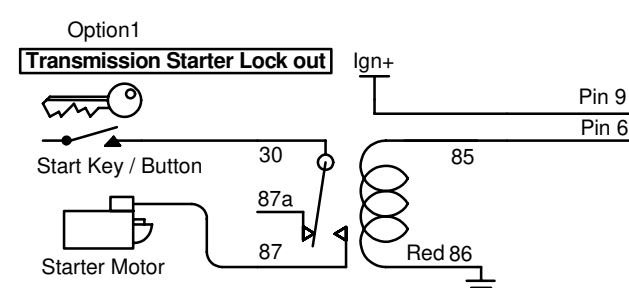
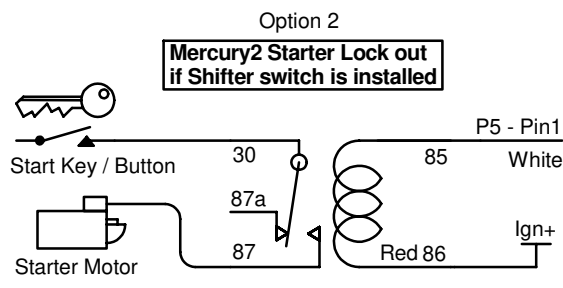


# Aisin A650E 5Speed

Last Changed: 23/08/2018 Page 1 of 2  
 Harness Required: MTWX02/2, DB2 Negative, CON2

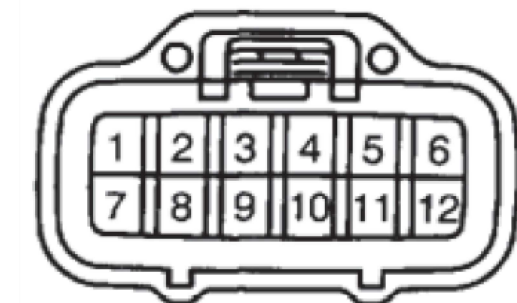


Scroll Down for more info



## Transmission Connector

NB! Harness Plug Pin View

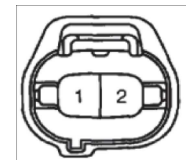


Pin	Harness	Color	Connector	Resistance	
				Cold	Hot
1	Oil Temp	OT-	White	P1-Gnd	
2	12V	SLT-	Red		
3	12V	SLN-	Red		
4	12V	SLU-	Red		
5	Gearbox	S3	Red/Orange	P2-2	11 18 Ω
6	Gearbox	S1	Red/White	P2-1	11 18 Ω
7	Oil Temp	OT+	Yellow	P1-1	
8	Gearbox	SLT+	Black/White	DB1 (P3-3)	3.5 4.6 Ω
9	Gearbox	SLN+	Black/Orange	DB1 (P3-2)	3.5 4.6 Ω
10	Gearbox	SLU+	Black/Yellow	DB1 (P3-7)	3.5 4.6 Ω
11	Gearbox	S4	Red/Green	P2-7	11 18 Ω
12	Gearbox	S2	Red/Yellow	P2-6	11 18 Ω

## Magnetic Speed Sensor

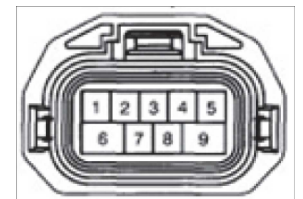
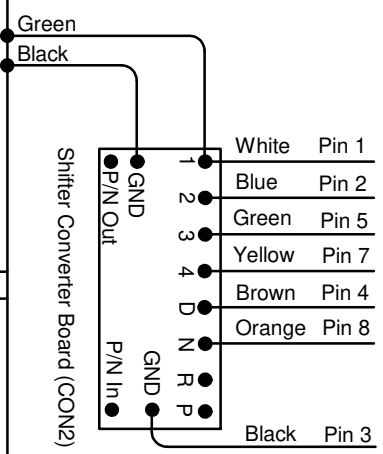
NB! Harness Plug Pin View

Pin	Harness	Color	Con	Resistance	
				Cold	Hot
1	Speed	SP1+	Black	P1-G	560 680 Ω
2	Speed	SP1-	Blue	P1-11	



## Transmission Selector Switch

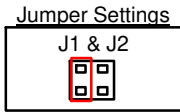
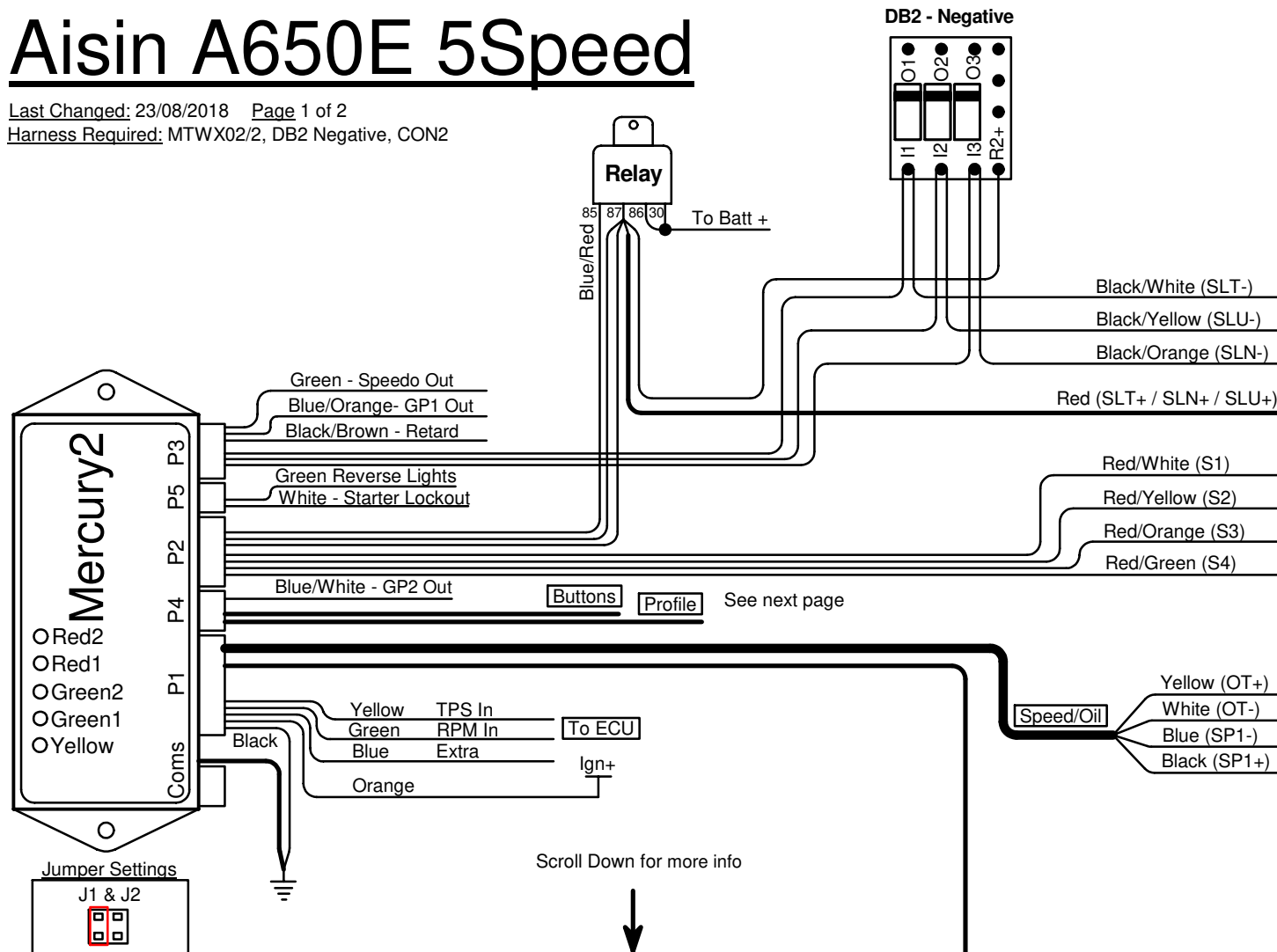
NB! Harness Plug Pin View



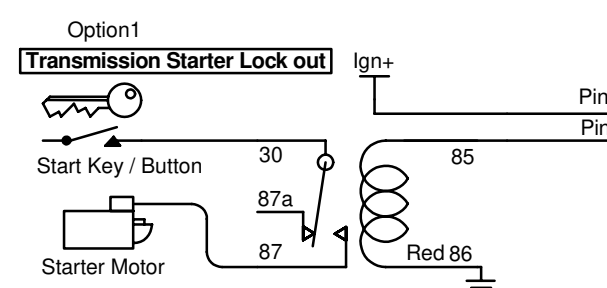
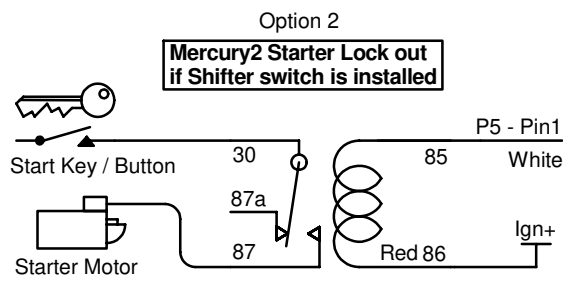
# Aisin A650E 5Speed

Last Changed: 23/08/2018 Page 1 of 2

Harness Required: MTWX02/2, DB2 Negative, CON2

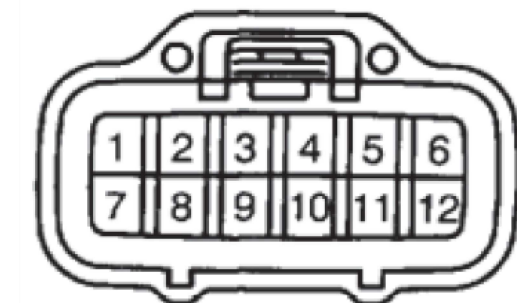


Scroll Down for more info



## Transmission Connector

NB! Harness Plug Pin View

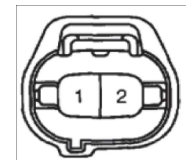


Pin	Harness	Color	Connector	Resistance	
				Cold	Hot
1	Oil Temp	OT-	White	P1-Gnd	
2	12V	SLT-	Red		
3	12V	SLN-	Red		
4	12V	SLU-	Red		
5	Gearbox	S3	Red/Orange	P2-2	11 18 Ω
6	Gearbox	S1	Red/White	P2-1	11 18 Ω
7	Oil Temp	OT+	Yellow	P1-1	
8	Gearbox	SLT+	Black/White	DB1 (P3-3)	3.5 4.6 Ω
9	Gearbox	SLN+	Black/Orange	DB1 (P3-2)	3.5 4.6 Ω
10	Gearbox	SLU+	Black/Yellow	DB1 (P3-7)	3.5 4.6 Ω
11	Gearbox	S4	Red/Green	P2-7	11 18 Ω
12	Gearbox	S2	Red/Yellow	P2-6	11 18 Ω

## Magnetic Speed Sensor

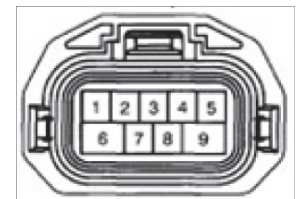
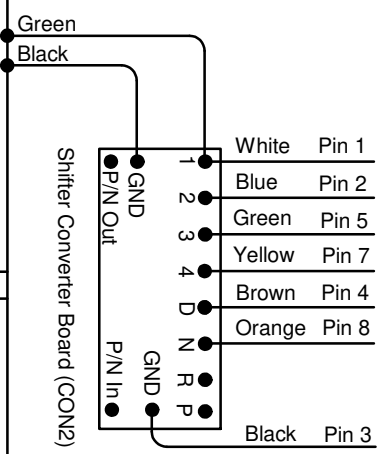
NB! Harness Plug Pin View

Pin	Harness	Color	Con	Resistance	
				Cold	Hot
1	Speed	SP1+	Black	P1-G	560 680 Ω
2	Speed	SP1-	Blue	P1-11	



## Transmission Selector Switch

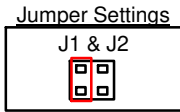
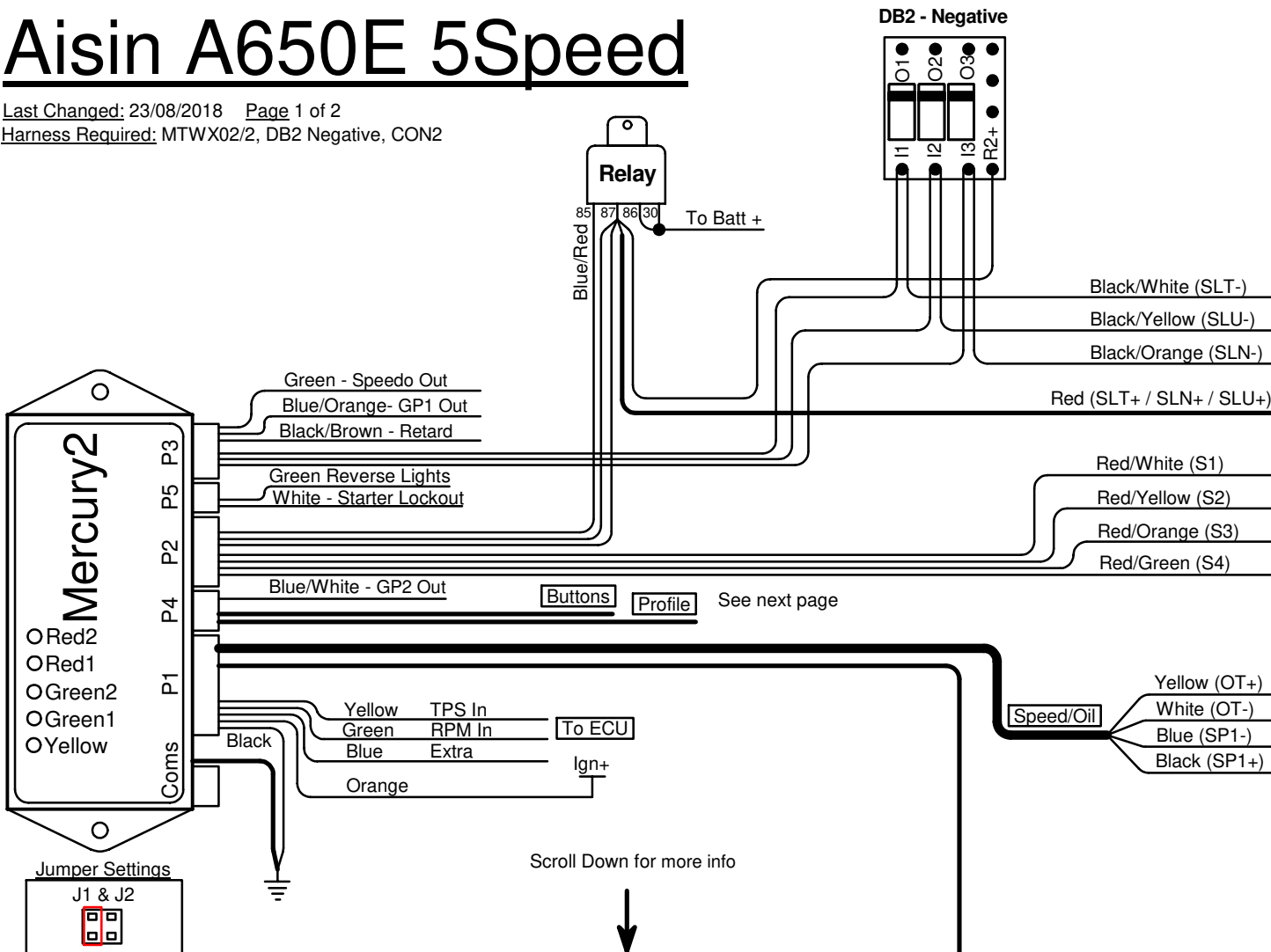
NB! Harness Plug Pin View



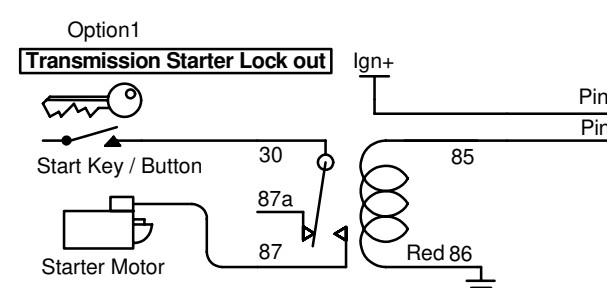
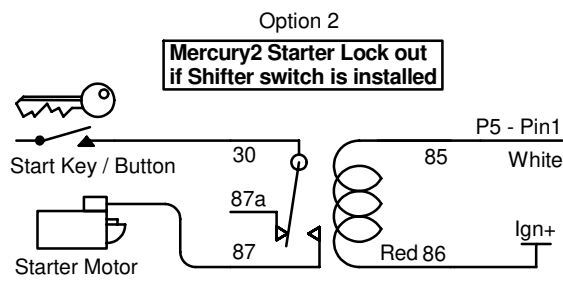
# Aisin A650E 5Speed

Last Changed: 23/08/2018 Page 1 of 2

Harness Required: MTWX02/2, DB2 Negative, CON2

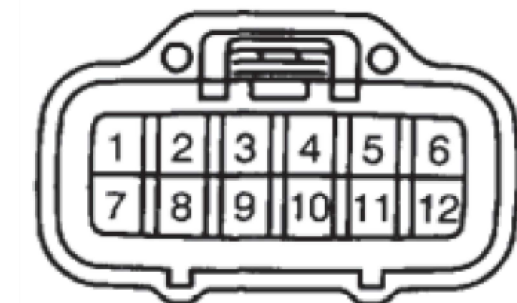


Scroll Down for more info



## Transmission Connector

NB! Harness Plug Pin View

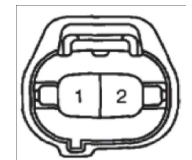


Pin	Harness	Color	Connector	Resistance	
				Cold	Hot
1	Oil Temp	OT-	White	P1-Gnd	
2	12V	SLT-	Red		
3	12V	SLN-	Red		
4	12V	SLU-	Red		
5	Gearbox	S3	Red/Orange	P2-2	11 18 Ω
6	Gearbox	S1	Red/White	P2-1	11 18 Ω
7	Oil Temp	OT+	Yellow	P1-1	
8	Gearbox	SLT+	Black/White	DB1 (P3-3)	3.5 4.6 Ω
9	Gearbox	SLN+	Black/Orange	DB1 (P3-2)	3.5 4.6 Ω
10	Gearbox	SLU+	Black/Yellow	DB1 (P3-7)	3.5 4.6 Ω
11	Gearbox	S4	Red/Green	P2-7	11 18 Ω
12	Gearbox	S2	Red/Yellow	P2-6	11 18 Ω

## Magnetic Speed Sensor

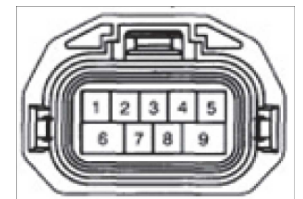
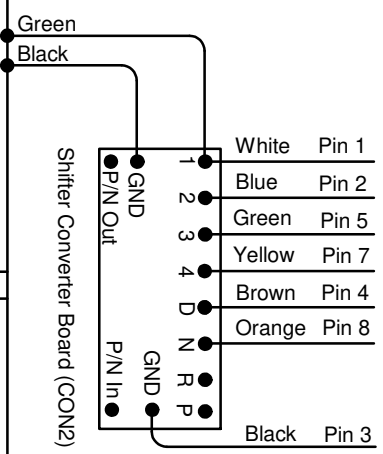
NB! Harness Plug Pin View

Pin	Harness	Color	Con	Resistance	
				Cold	Hot
1	Speed	SP1+	Black	P1-G	560 680 Ω
2	Speed	SP1-	Blue	P1-11	



## Transmission Selector Switch

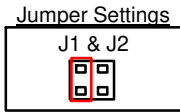
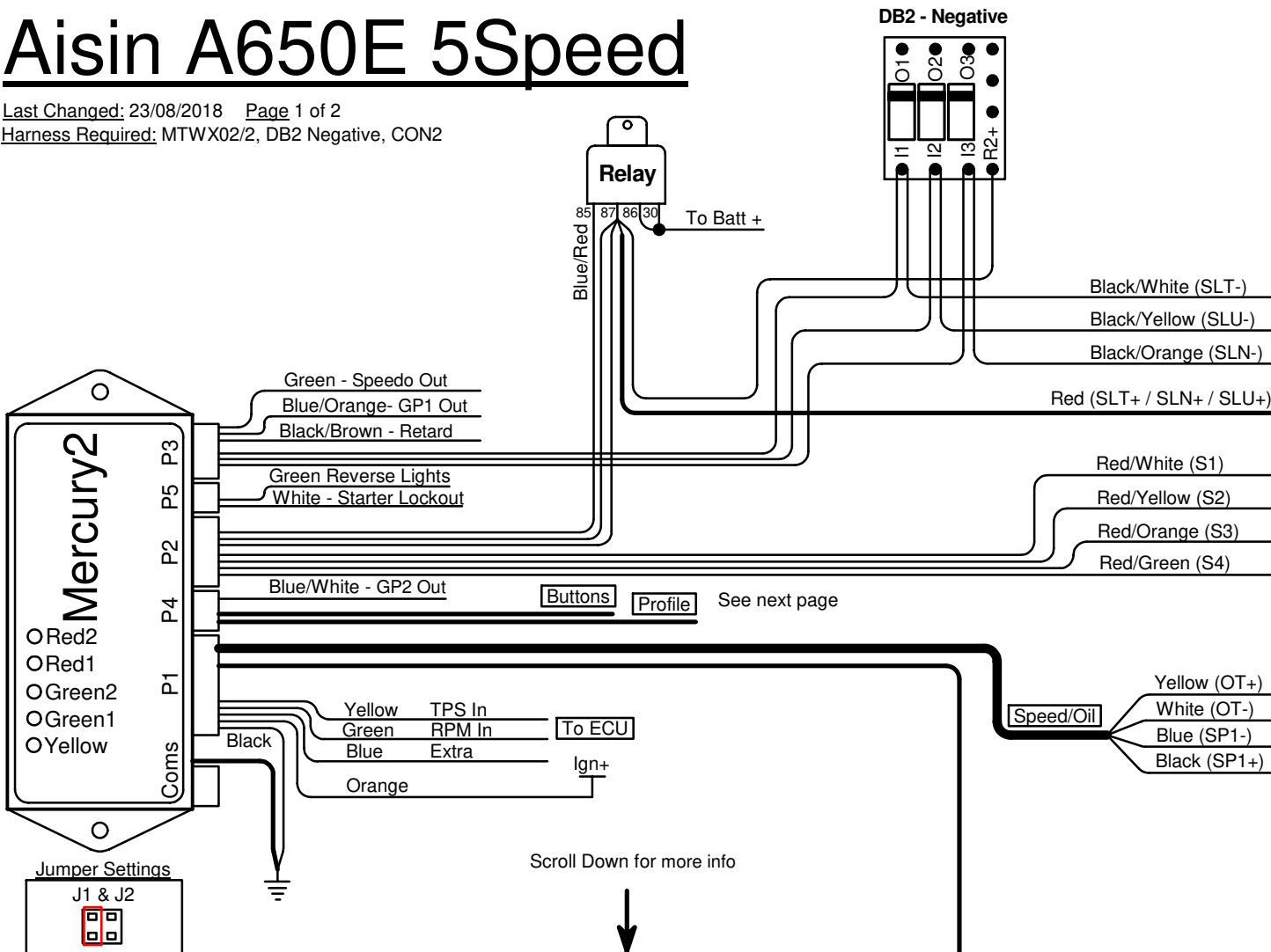
NB! Harness Plug Pin View



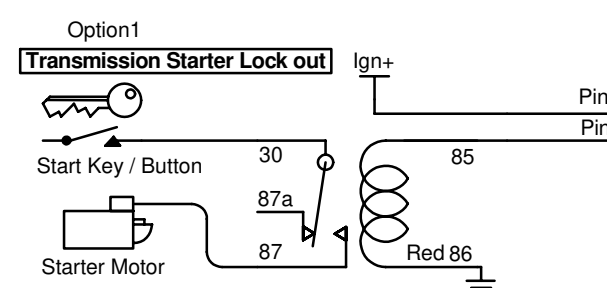
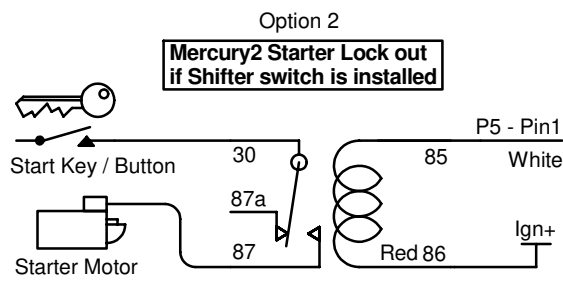
# Aisin A650E 5Speed

Last Changed: 23/08/2018 Page 1 of 2

Harness Required: MTWX02/2, DB2 Negative, CON2

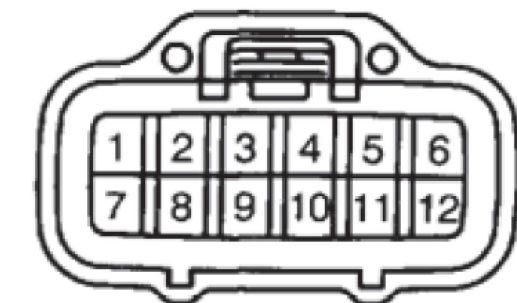


Scroll Down for more info



## Transmission Connector

NB! Harness Plug Pin View



Pin	Harness	Color	Connector	Resistance	
				Cold	Hot
1	Oil Temp	OT-	White	P1-Gnd	
2	12V	SLT-	Red		
3	12V	SLN-	Red		
4	12V	SLU-	Red		
5	Gearbox	S3	Red/Orange	P2-2	11 18 Ω
6	Gearbox	S1	Red/White	P2-1	11 18 Ω
7	Oil Temp	OT+	Yellow	P1-1	
8	Gearbox	SLT+	Black/White	DB1 (P3-3)	3.5 4.6 Ω
9	Gearbox	SLN+	Black/Orange	DB1 (P3-2)	3.5 4.6 Ω
10	Gearbox	SLU+	Black/Yellow	DB1 (P3-7)	3.5 4.6 Ω
11	Gearbox	S4	Red/Green	P2-7	11 18 Ω
12	Gearbox	S2	Red/Yellow	P2-6	11 18 Ω

## Magnetic Speed Sensor

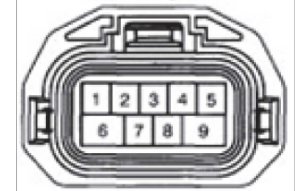
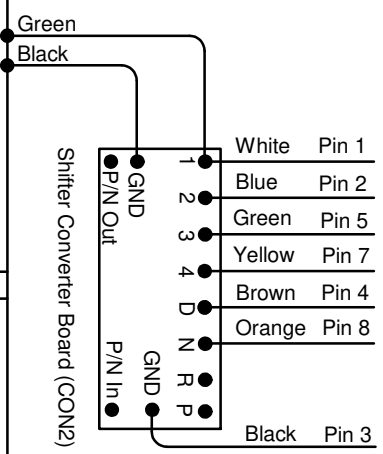
NB! Harness Plug Pin View

Pin	Harness	Color	Con	Resistance	
				Cold	Hot
1	Speed	SP1+	Black	P1-G	560 680 Ω
2	Speed	SP1-	Blue	P1-11	



## Transmission Selector Switch

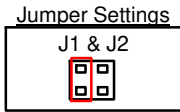
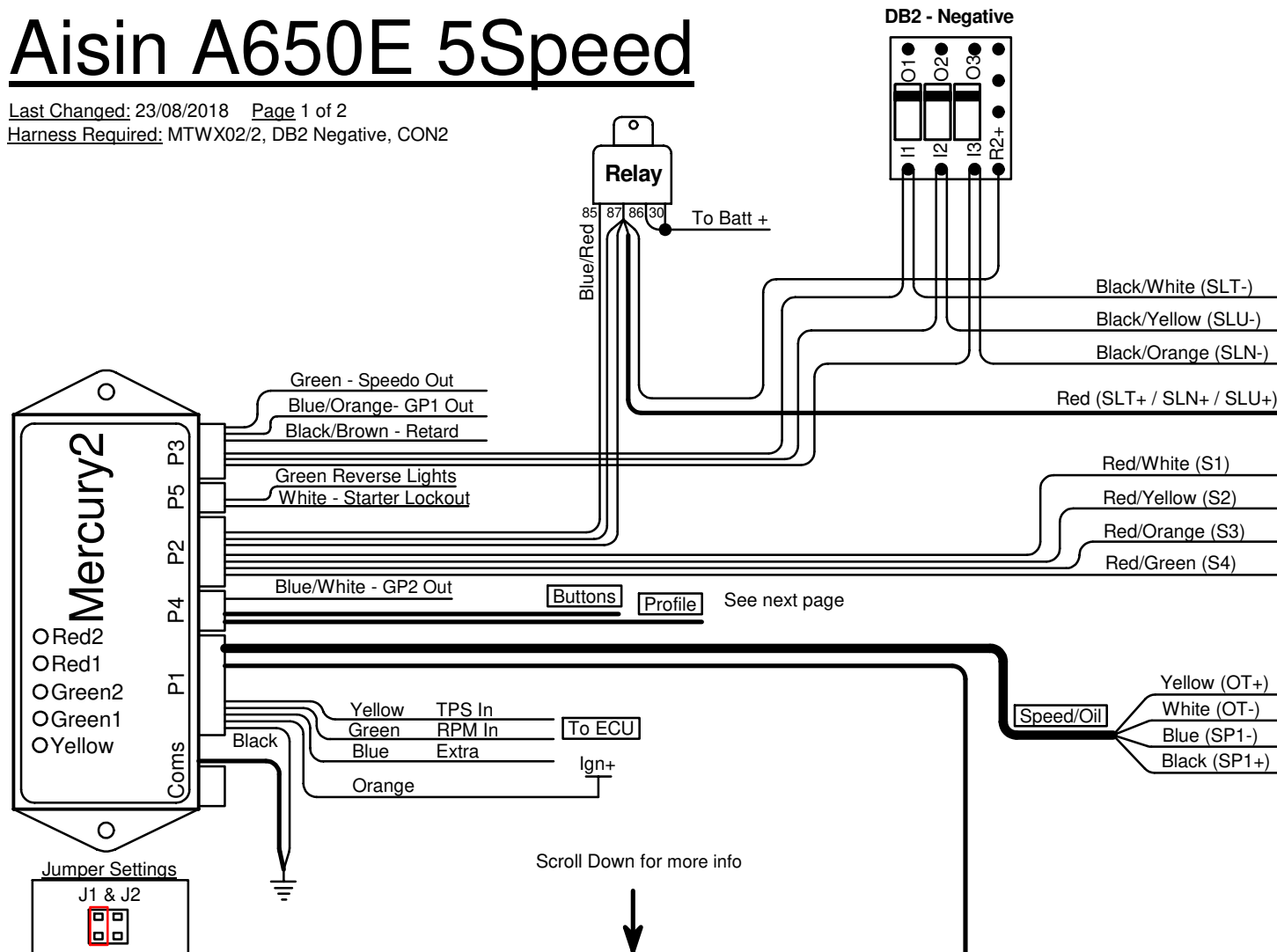
NB! Harness Plug Pin View



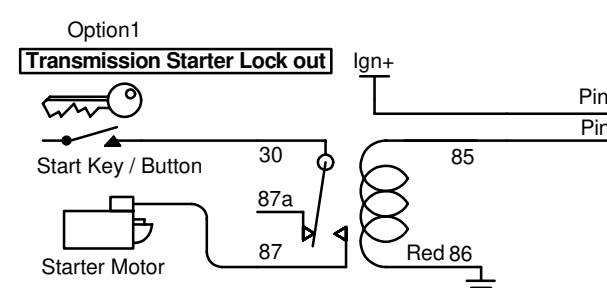
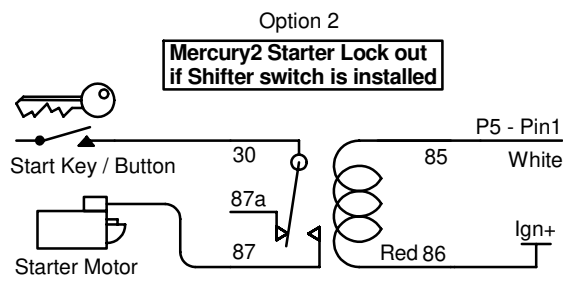
# Aisin A650E 5Speed

Last Changed: 23/08/2018 Page 1 of 2

Harness Required: MTWX02/2, DB2 Negative, CON2

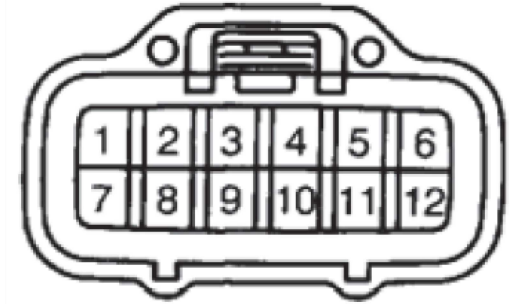


Scroll Down for more info



## Transmission Connector

NB! Harness Plug Pin View

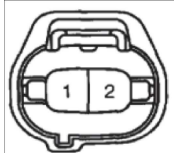


Pin	Harness	Color	Connector	Resistance	
				Cold	Hot
1	Oil Temp	OT-	White	P1-Gnd	
2	12V	SLT-	Red		
3	12V	SLN-	Red		
4	12V	SLU-	Red		
5	Gearbox	S3	Red/Orange	P2-2	11 18 Ω
6	Gearbox	S1	Red/White	P2-1	11 18 Ω
7	Oil Temp	OT+	Yellow	P1-1	
8	Gearbox	SLT+	Black/White	DB1 (P3-3)	3.5 4.6 Ω
9	Gearbox	SLN+	Black/Orange	DB1 (P3-2)	3.5 4.6 Ω
10	Gearbox	SLU+	Black/Yellow	DB1 (P3-7)	3.5 4.6 Ω
11	Gearbox	S4	Red/Green	P2-7	11 18 Ω
12	Gearbox	S2	Red/Yellow	P2-6	11 18 Ω

## Magnetic Speed Sensor

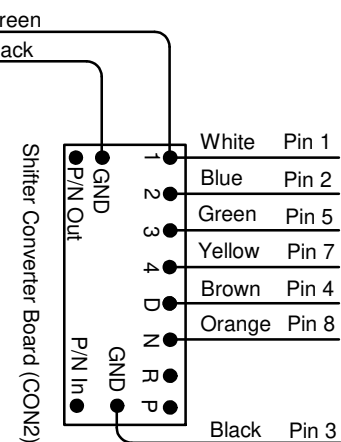
NB! Harness Plug Pin View

Pin	Harness	Color	Con	Resistance	
				Cold	Hot
1	Speed	SP1+	Black	P1-G	560 680 Ω
2	Speed	SP1-	Blue	P1-11	



## Transmission Selector Switch

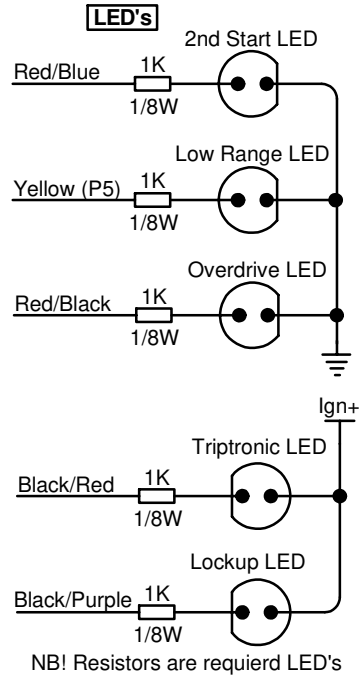
NB! Harness Plug Pin View



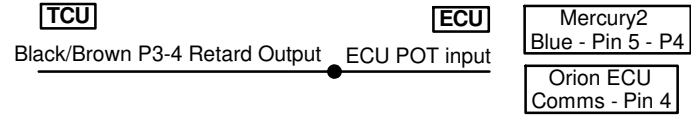
# Aisin A650E 5Speed

Last Changed: 23/08/2018 Page 2 of 2

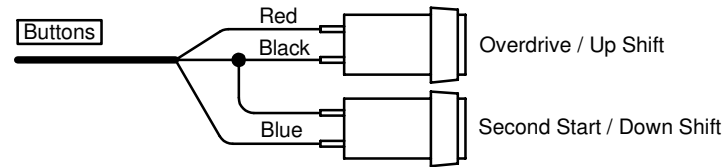
Harness Required: MTWX02/2, DB2 Negative, CON2



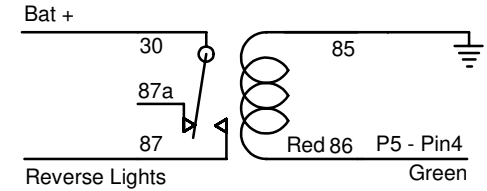
## Timing Retard Circuit



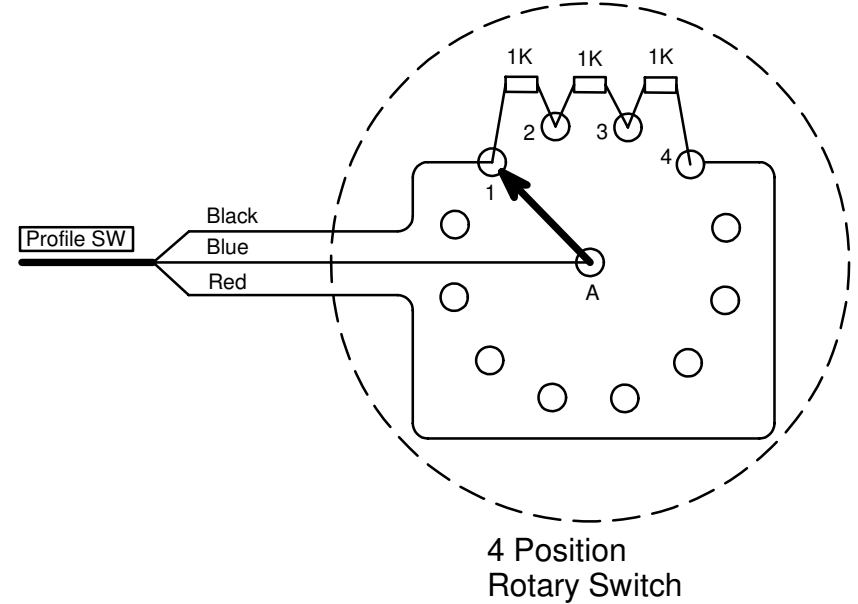
## Tiptronic Buttons



## Reverse light Relay



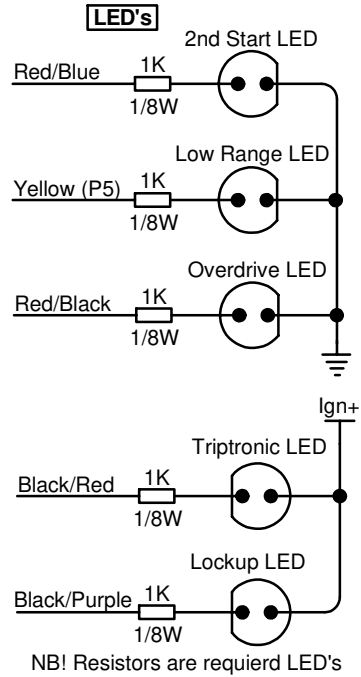
## 4 Map Switch



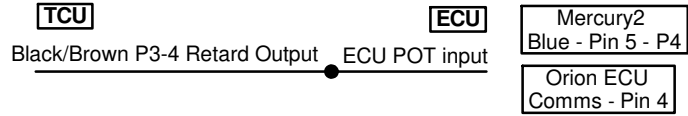
# Aisin A650E 5Speed

Last Changed: 23/08/2018 Page 2 of 2

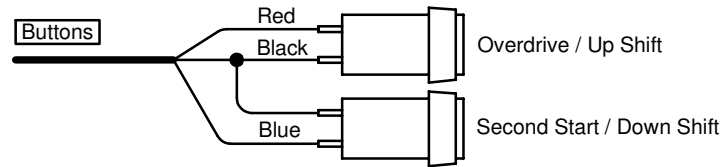
Harness Required: MTWX02/2, DB2 Negative, CON2



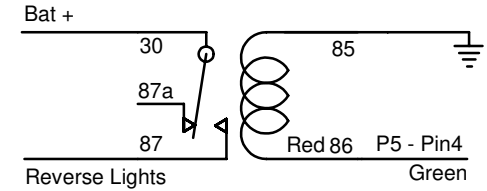
## Timing Retard Circuit



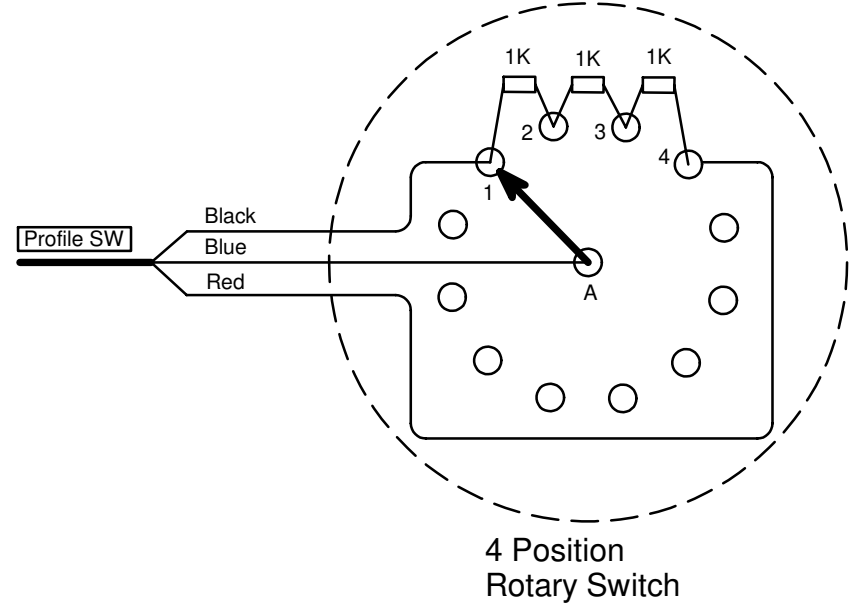
## Tiptronic Buttons



## Reverse light Relay



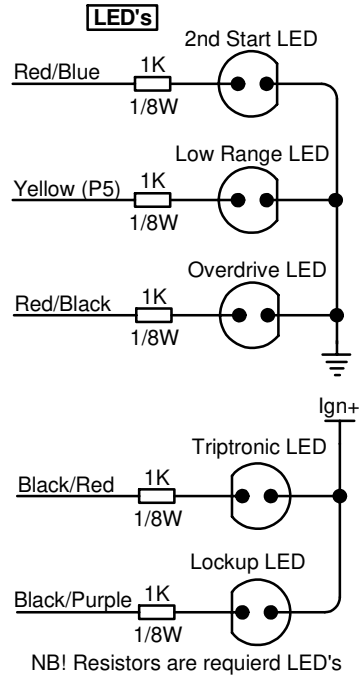
## 4 Map Switch



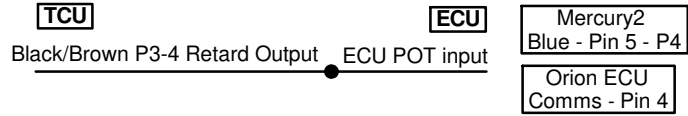
# Aisin A650E 5Speed

Last Changed: 23/08/2018 Page 2 of 2

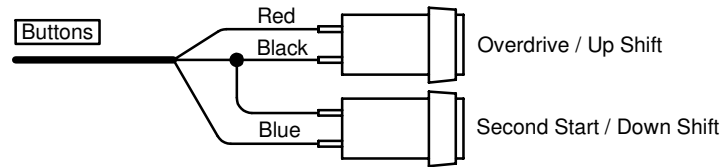
Harness Required: MTWX02/2, DB2 Negative, CON2



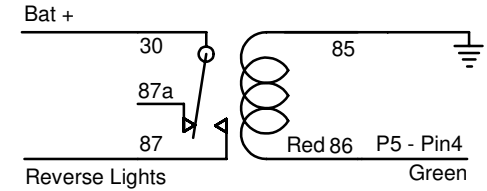
## Timing Retard Circuit



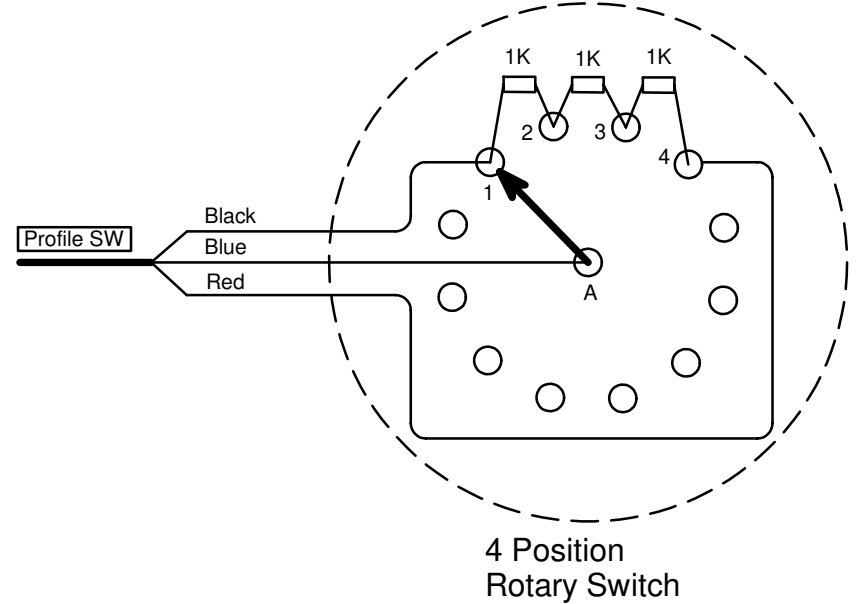
## Tiptronic Buttons



## Reverse light Relay



## 4 Map Switch

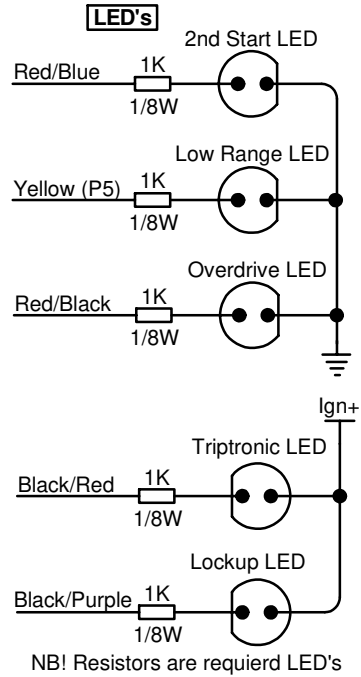




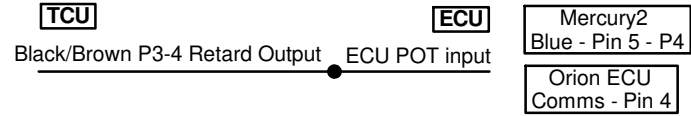
# Aisin A650E 5Speed

Last Changed: 23/08/2018 Page 2 of 2

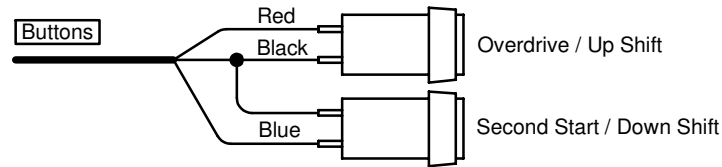
Harness Required: MTWX02/2, DB2 Negative, CON2



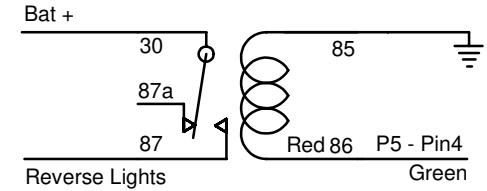
## Timing Retard Circuit



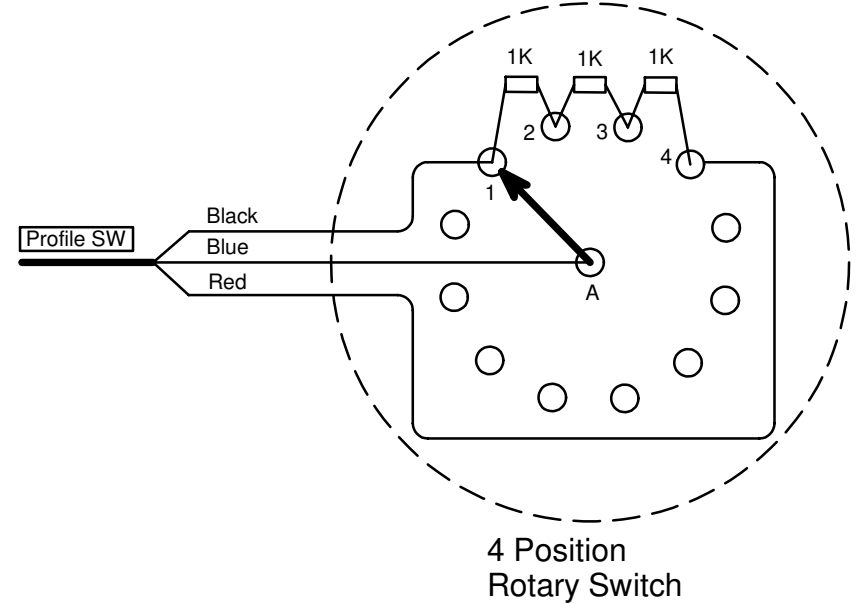
## Tiptronic Buttons



## Reverse light Relay



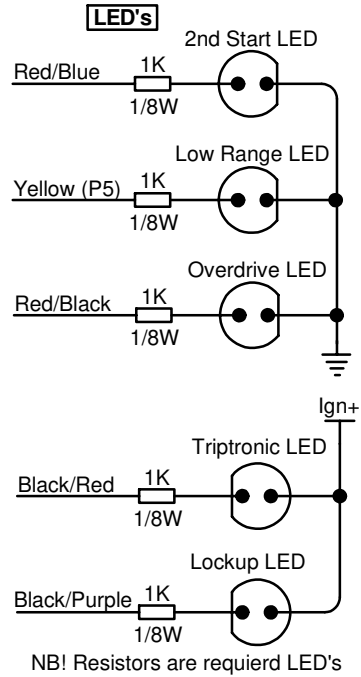
## 4 Map Switch



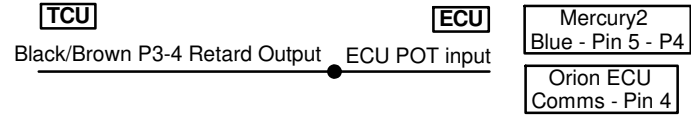
# Aisin A650E 5Speed

Last Changed: 23/08/2018 Page 2 of 2

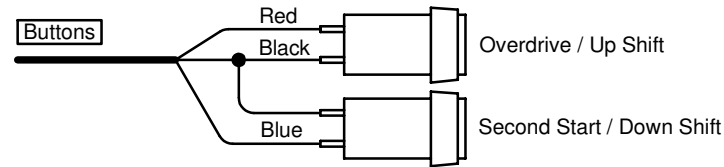
Harness Required: MTWX02/2, DB2 Negative, CON2



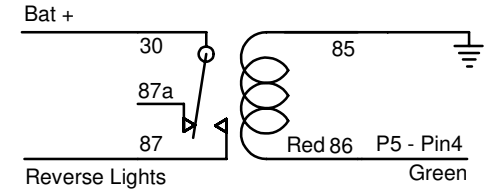
## Timing Retard Circuit



## Tiptronic Buttons



## Reverse light Relay



## 4 Map Switch

