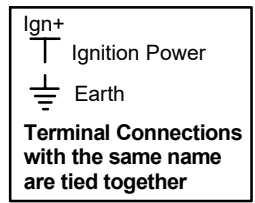
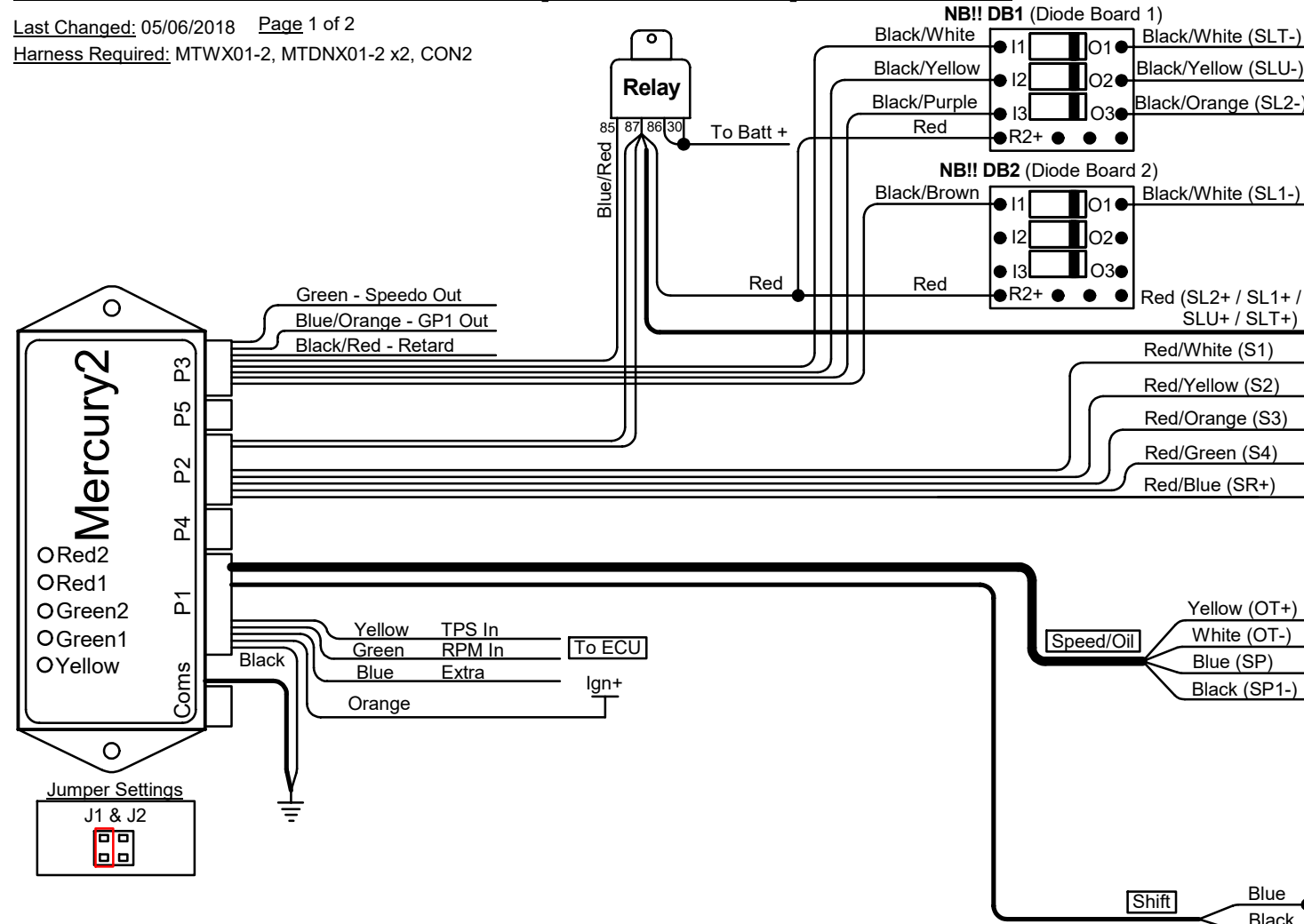


Aisin A761E 6Speed Option 1

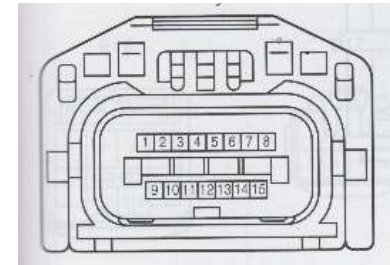
Last Changed: 05/06/2018 Page 1 of 2
 Harness Required: MTWX01-2, MTDNX01-2 x2, CON2



For Led's and Button's wiring go to Page 2

Transmission Connector

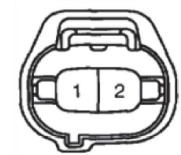
NB! Gearbox Plug Pin View



Pin	Harness	Color	Connector	Resistance	
				Cold	Hot
1	Oil Temp	White	OT-	P1-GND	292 358 Ω
2	Gearbox	Black/Orange	SL2-	DB1 (P3-1)	5 5.6 Ω
3	Gearbox	Black/White	SL1-	DB2 (P3-6)	5 5.6 Ω
4	Gearbox	Black/Yellow	SLU-	DB1 (P3-7)	5 5.6 Ω
5	Gearbox	Black/White	SLT-	DB1 (P3-3)	5 5.6 Ω
6	Gearbox	Red/Blue	SR+	P2-3	11 15 Ω
7	Gearbox	Red/Orange	S3	P2-2	11 15 Ω
8	Gearbox	Red/White	S1	P2-1	11 15 Ω
9	Oil Temp	Yellow	OT+	P1-1	79 156 kΩ
10	12V	Red	SL2+		
11	12V	Red	SL1+		
12	12V	Red	SLU+		
13	12V	Red	SLT+		
14	Gearbox	Red/Green	S4	P2-7	11 15 Ω
15	Gearbox	Red/Yellow	S2	P2-6	11 15 Ω

Magnetic Speed Sensor

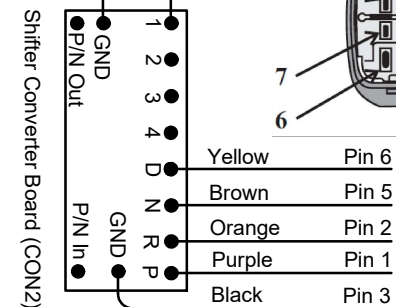
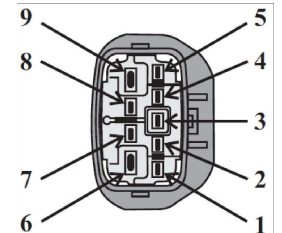
NB! Harness Plug Pin View



Pin	Harness	Color
1	Speed/Oil	SP1- Black
2	Speed/Oil	SP Blue

Transmission Selector Switch

NB! Gearbox Plug Pin View



For Starter Lockout Setup go to Page 2

