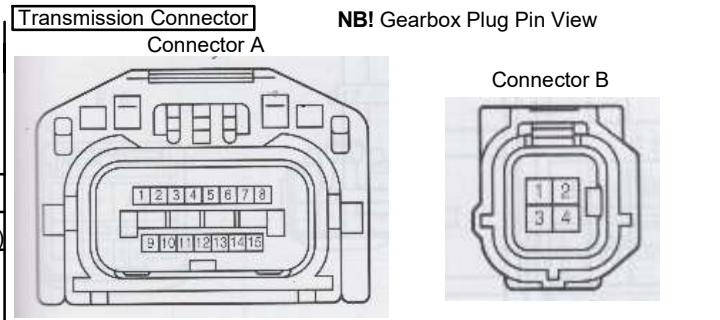
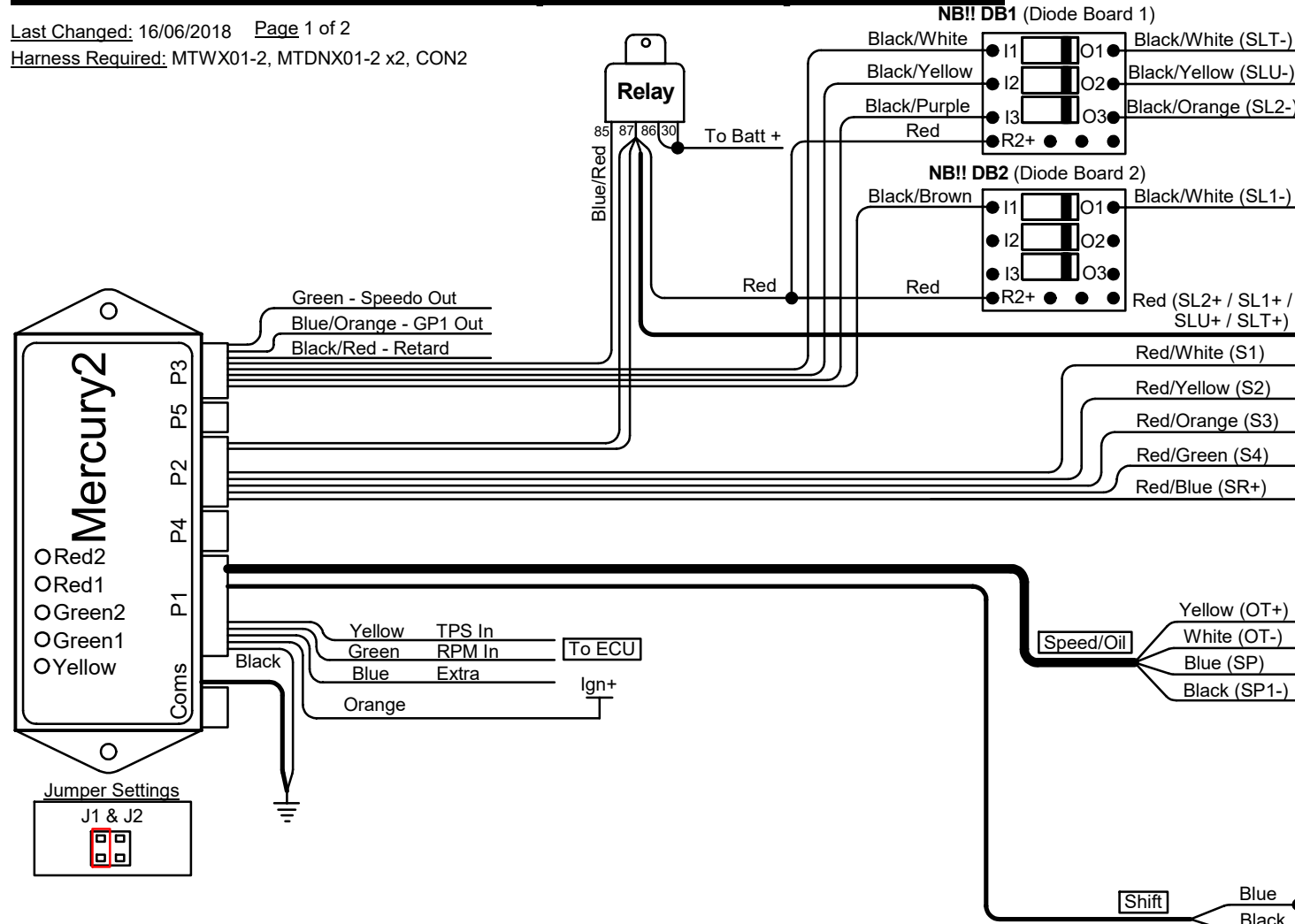
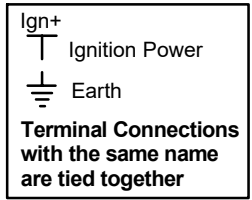
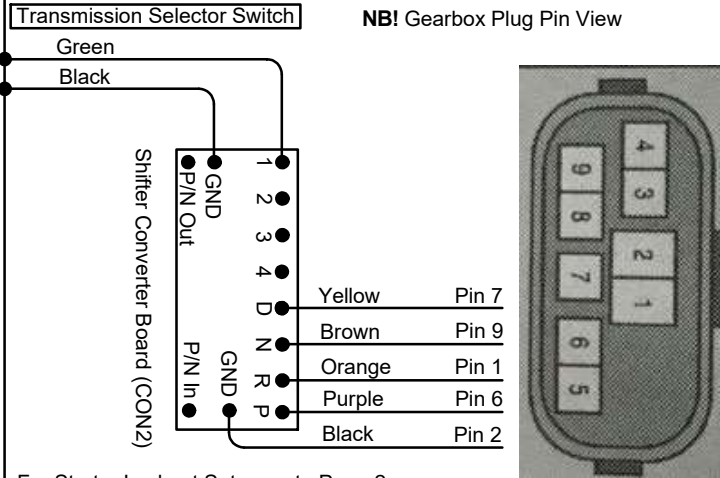
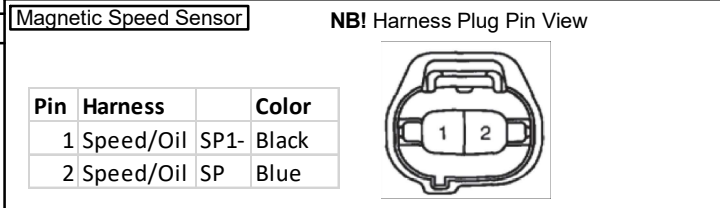


Aisin A761E 6Speed Option 2

Last Changed: 16/06/2018 Page 1 of 2
 Harness Required: MTWX01-2, MTDNX01-2 x2, CON2



| Pin | Harness | Color | Connector | Resistance | Cold Hot | |
|------|----------|--------------|-----------|------------|----------|-----|
| | | | | | 292 | 358 |
| A-1 | Oil Temp | White | OT- | P1-GND | 292 | 358 |
| A-3 | Gearbox | Black/White | SL1- | DB2 (P3-6) | 5 | 5.6 |
| A-4 | Gearbox | Black/Yellow | SLU- | DB1 (P3-7) | 5 | 5.6 |
| A-5 | Gearbox | Black/White | SLT- | DB1 (P3-3) | 5 | 5.6 |
| A-6 | Gearbox | Red/Blue | SR+ | P2-3 | 11 | 15 |
| A-7 | Gearbox | Red/Orange | S3 | P2-2 | 11 | 15 |
| A-8 | Gearbox | Red/White | S1 | P2-1 | 11 | 15 |
| A-9 | Oil Temp | Yellow | OT+ | P1-1 | 79 | 156 |
| A-11 | 12V | Red | SL1+ | | | |
| A-12 | 12V | Red | SLU+ | | | |
| A-13 | 12V | Red | SLT+ | | | |
| A-14 | Gearbox | Red/Green | S4 | P2-7 | 11 | 15 |
| A-15 | Gearbox | Red/Yellow | S2 | P2-6 | 11 | 15 |
| B-2 | 12V | Red | SL2+ | | | |
| B-4 | Gearbox | Black/Orange | SL2- | DB1 (P3-4) | 5 | 5.6 |



For Led's and Button's wiring go to Page 2

For Starter Lockout Setup go to Page 2

