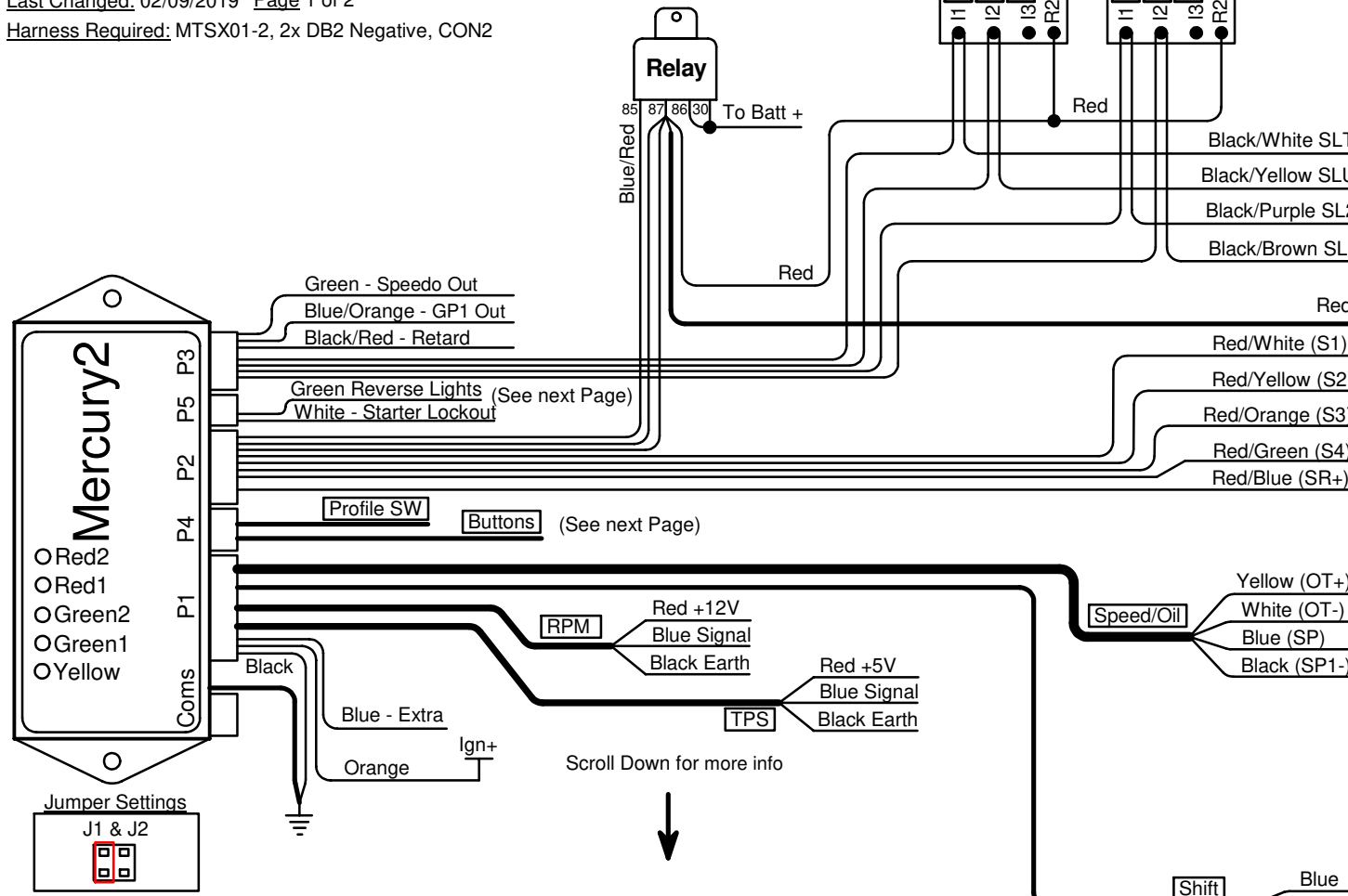


# Aisin A761E Type 1 St

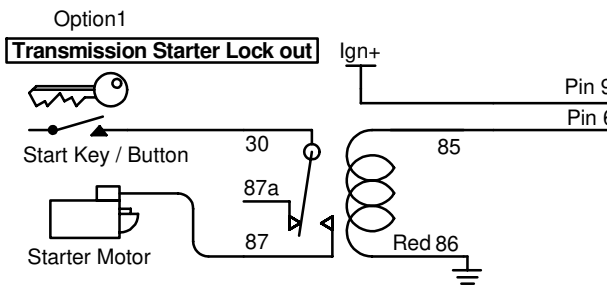
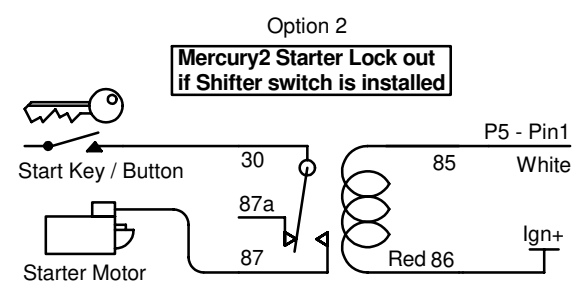
## Version C

Last Changed: 02/09/2019 Page 1 of 2

Harness Required: MTSX01-2, 2x DB2 Negative, CON2

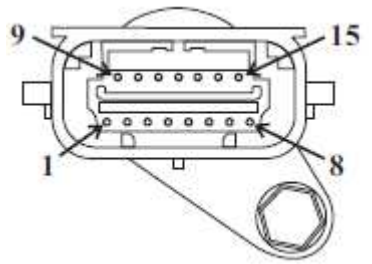


Scroll Down for more info



Transmission Connector

**NB!** Gearbox Conector Pin View



Pin	Harness	Color	Connector	Resistance	
				Cold	Hot
1	Oil Temp	White	OT-	P1-GND	292 358 Ω
2	Gearbox	Black/Purple	SL2-	P3-1	5 5.6 Ω
3	Gearbox	Black/Brown	SL1-	P3-6	5 5.6 Ω
4	Gearbox	Black/Yellow	SLU-	P3-7	5 5.6 Ω
5	Gearbox	Black/White	SLT-	P3-3	5 5.6 Ω
6	Gearbox	Red/Blue	SR+	P2-3	11 15 Ω
7	Gearbox	Red/Orange	S3	P2-2	11 15 Ω
8	Gearbox	Red/White	S1	P2-1	11 15 Ω
9	Oil Temp	Yellow	OT+	P1-7	79 156 kΩ
10	12V	Red	SL2+		
11	12V	Red	SL1+		
12	12V	Red	SLU+		
13	12V	Red	SLT+		
14	Gearbox	Red/Green	S4	P2-7	11 15 Ω
15	Gearbox	Red/Yellow	S2	P2-6	11 15 Ω

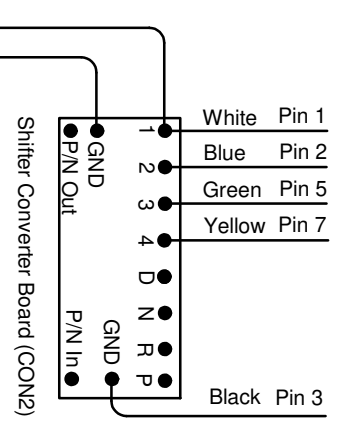
Magnetic Speed Sensor

**NB!** Harness Plug Pin View

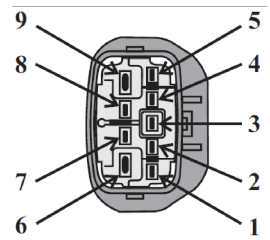
Pin	Harness	Color
1	Speed/Oil	SP1- Black
2	Speed/Oil	SP Blue



Transmission Selector Switch



**NB!** Gearbox Plug Pin View

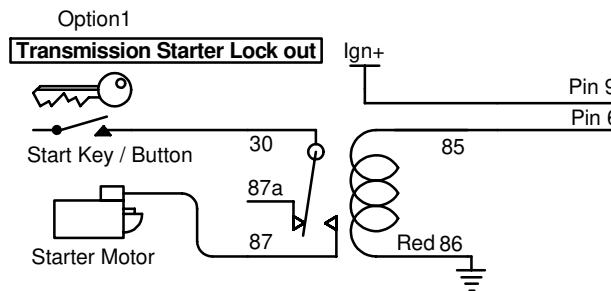
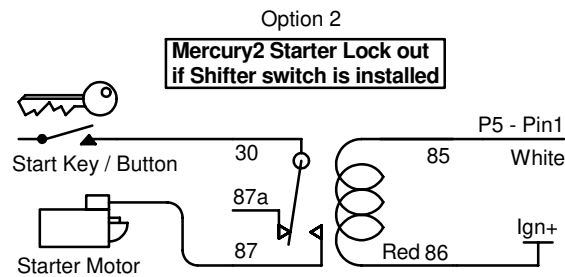
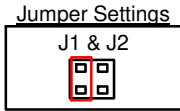
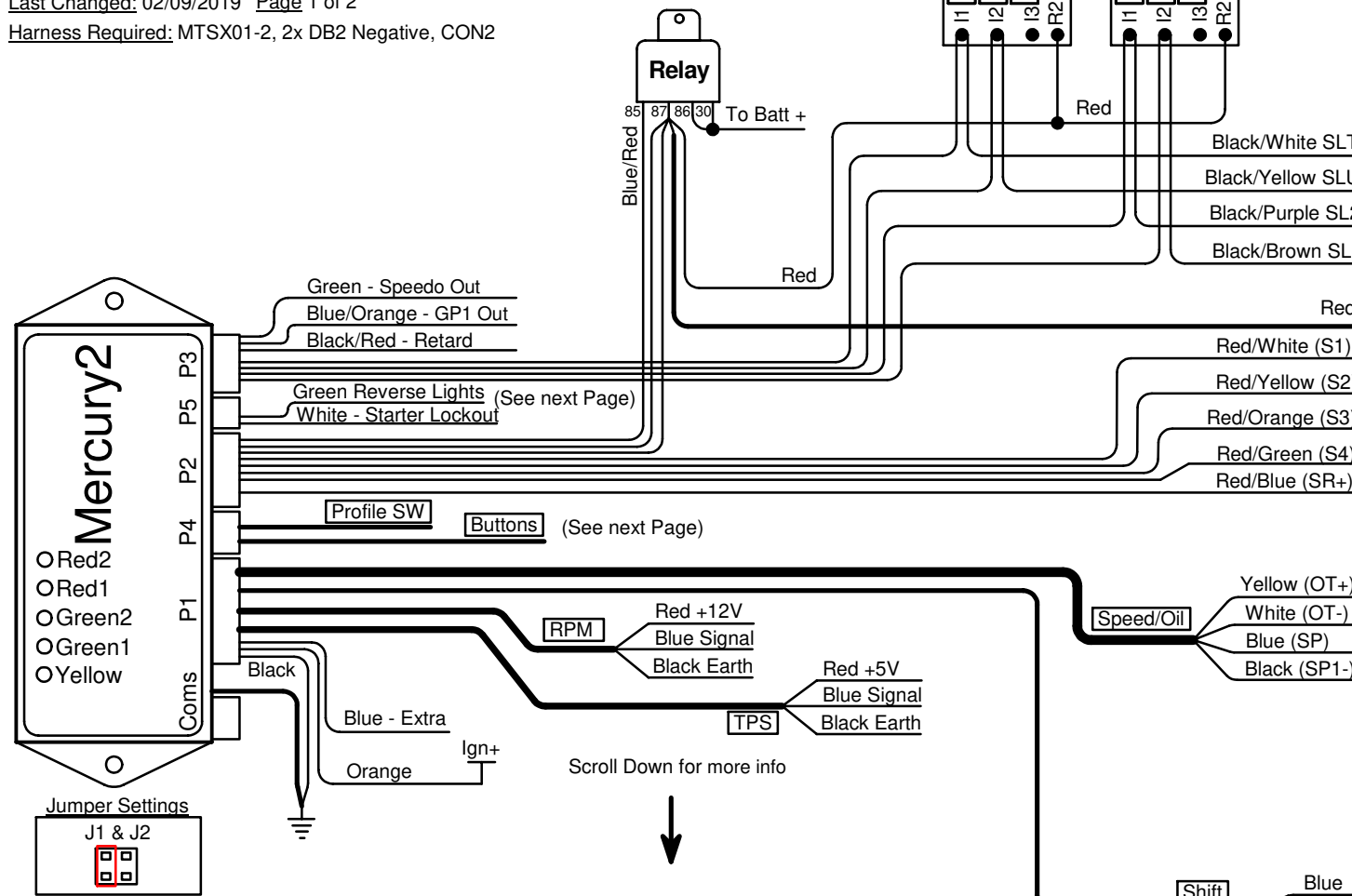


# Aisin A761E Type 1 St

## Version C

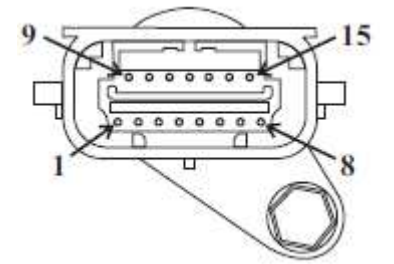
Last Changed: 02/09/2019 Page 1 of 2

Harness Required: MTSX01-2, 2x DB2 Negative, CON2



Transmission Connector

**NB!** Gearbox Conector Pin View

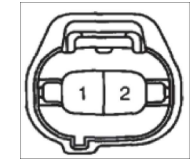


Pin	Harness	Color	Connector	Resistance	
				Cold	Hot
1	Oil Temp	White	OT-	P1-GND	292 358 Ω
2	Gearbox	Black/Purple	SL2-	P3-1	5 5.6 Ω
3	Gearbox	Black/Brown	SL1-	P3-6	5 5.6 Ω
4	Gearbox	Black/Yellow	SLU-	P3-7	5 5.6 Ω
5	Gearbox	Black/White	SLT-	P3-3	5 5.6 Ω
6	Gearbox	Red/Blue	SR+	P2-3	11 15 Ω
7	Gearbox	Red/Orange	S3	P2-2	11 15 Ω
8	Gearbox	Red/White	S1	P2-1	11 15 Ω
9	Oil Temp	Yellow	OT+	P1-7	79 156 kΩ
10	12V	Red	SL2+		
11	12V	Red	SL1+		
12	12V	Red	SLU+		
13	12V	Red	SLT+		
14	Gearbox	Red/Green	S4	P2-7	11 15 Ω
15	Gearbox	Red/Yellow	S2	P2-6	11 15 Ω

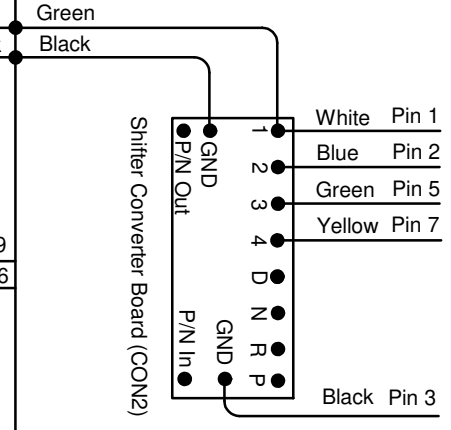
Magnetic Speed Sensor

**NB!** Harness Plug Pin View

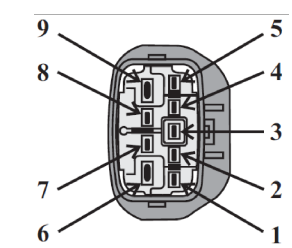
Pin	Harness	Color
1	Speed/Oil	SP1- Black
2	Speed/Oil	SP Blue



Transmission Selector Switch



**NB!** Gearbox Plug Pin View

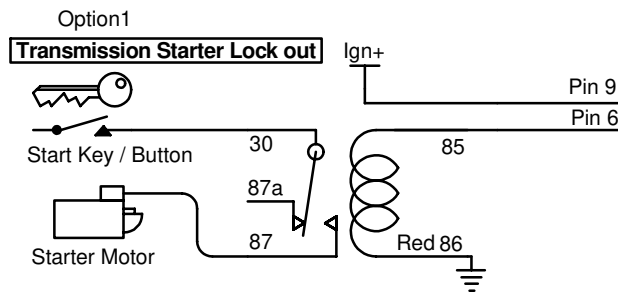
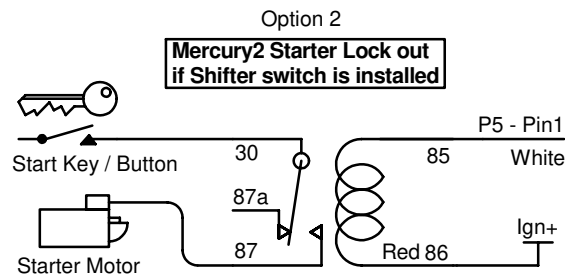
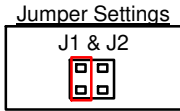
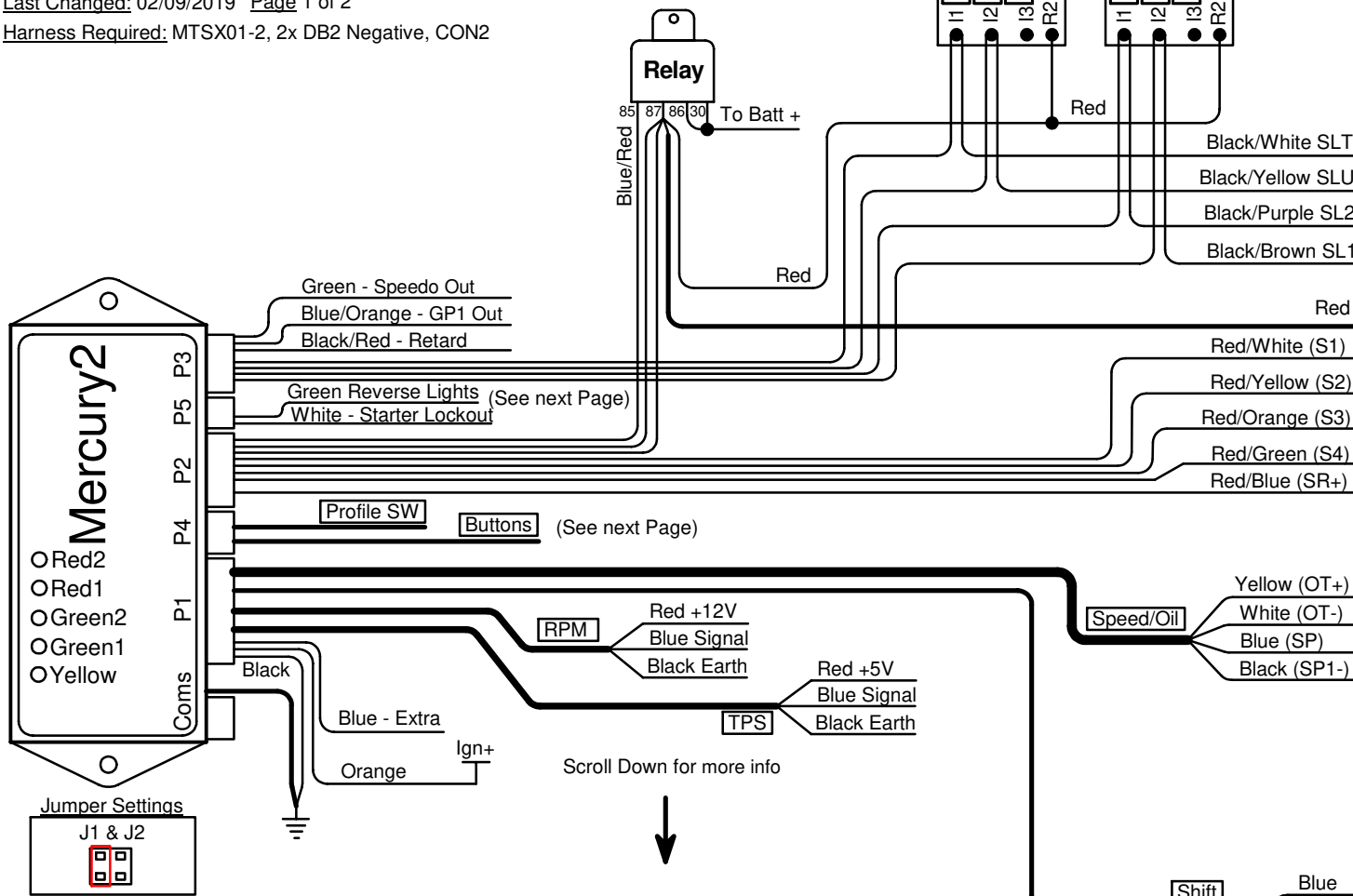


# Aisin A761E Type 1 St

## Version C

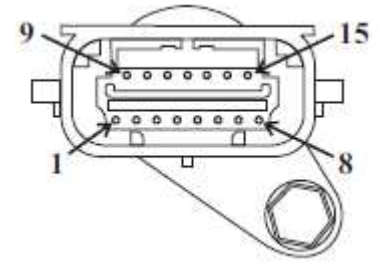
Last Changed: 02/09/2019 Page 1 of 2

Harness Required: MTSX01-2, 2x DB2 Negative, CON2



### Transmission Connector

### NB! Gearbox Conector Pin View



Pin	Harness	Color	Connector	Resistance	
				Cold	Hot
1	Oil Temp	White	OT-	P1-GND	292 358 Ω
2	Gearbox	Black/Purple	SL2-	P3-1	5 5.6 Ω
3	Gearbox	Black/Brown	SL1-	P3-6	5 5.6 Ω
4	Gearbox	Black/Yellow	SLU-	P3-7	5 5.6 Ω
5	Gearbox	Black/White	SLT-	P3-3	5 5.6 Ω
6	Gearbox	Red/Blue	SR+	P2-3	11 15 Ω
7	Gearbox	Red/Orange	S3	P2-2	11 15 Ω
8	Gearbox	Red/White	S1	P2-1	11 15 Ω
9	Oil Temp	Yellow	OT+	P1-7	79 156 kΩ
10	12V	Red	SL2+		
11	12V	Red	SL1+		
12	12V	Red	SLU+		
13	12V	Red	SLT+		
14	Gearbox	Red/Green	S4	P2-7	11 15 Ω
15	Gearbox	Red/Yellow	S2	P2-6	11 15 Ω

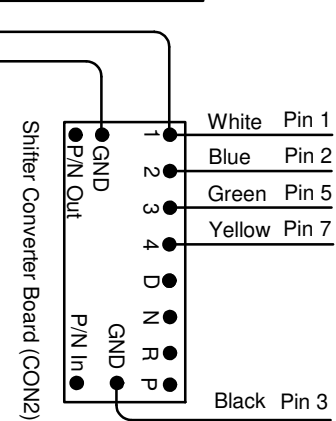
### Magnetic Speed Sensor

### NB! Harness Plug Pin View

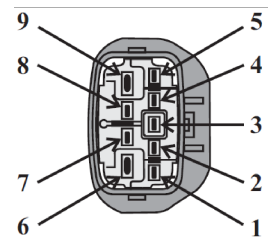
Pin	Harness	Color
1	Speed/Oil	SP1- Black
2	Speed/Oil	SP Blue



### Transmission Selector Switch



### NB! Gearbox Plug Pin View

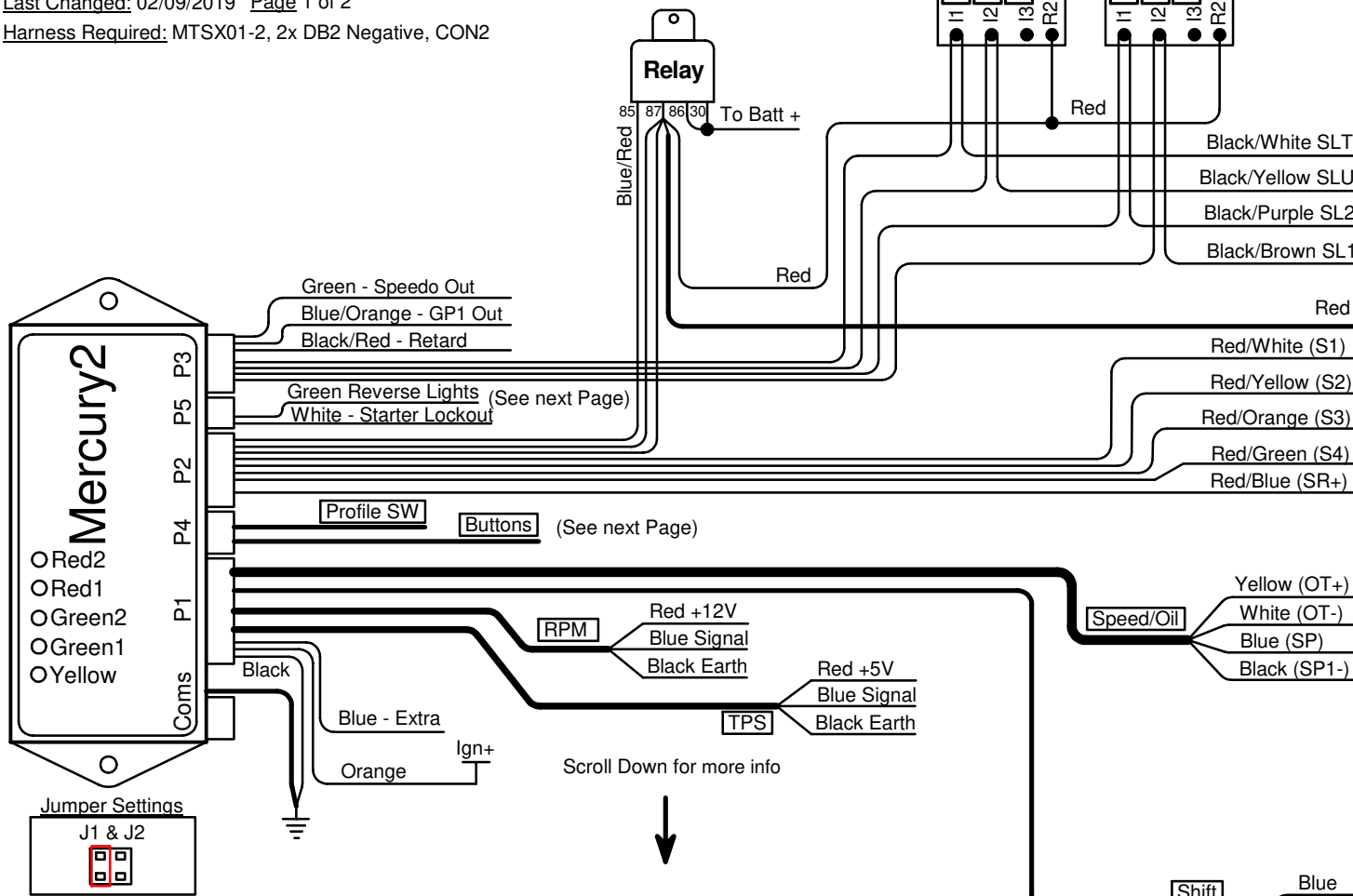


# Aisin A761E Type 1 St

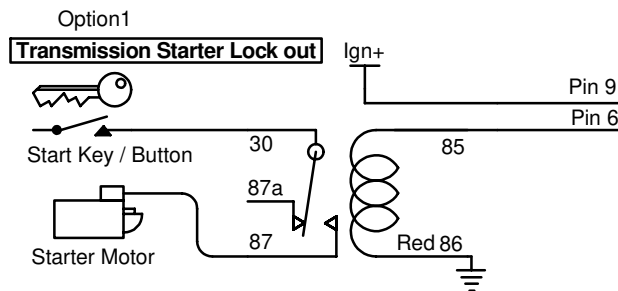
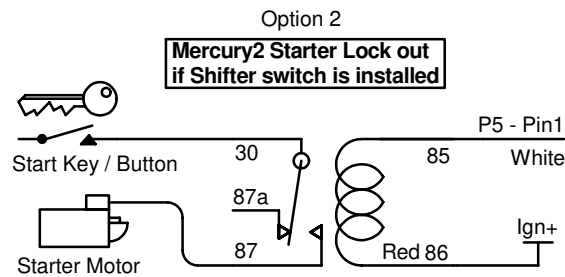
## Version C

Last Changed: 02/09/2019 Page 1 of 2

Harness Required: MTSX01-2, 2x DB2 Negative, CON2

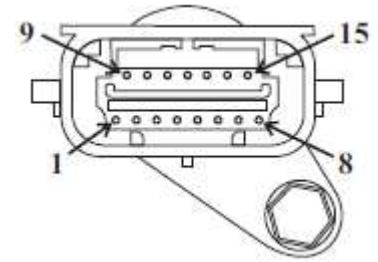


Scroll Down for more info



### Transmission Connector

### NB! Gearbox Conector Pin View

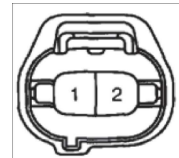


Pin	Harness	Color	Connector	Resistance	
				Cold	Hot
1	Oil Temp	White	OT-	P1-GND	292 358 Ω
2	Gearbox	Black/Purple	SL2-	P3-1	5 5.6 Ω
3	Gearbox	Black/Brown	SL1-	P3-6	5 5.6 Ω
4	Gearbox	Black/Yellow	SLU-	P3-7	5 5.6 Ω
5	Gearbox	Black/White	SLT-	P3-3	5 5.6 Ω
6	Gearbox	Red/Blue	SR+	P2-3	11 15 Ω
7	Gearbox	Red/Orange	S3	P2-2	11 15 Ω
8	Gearbox	Red/White	S1	P2-1	11 15 Ω
9	Oil Temp	Yellow	OT+	P1-7	79 156 kΩ
10	12V	Red	SL2+		
11	12V	Red	SL1+		
12	12V	Red	SLU+		
13	12V	Red	SLT+		
14	Gearbox	Red/Green	S4	P2-7	11 15 Ω
15	Gearbox	Red/Yellow	S2	P2-6	11 15 Ω

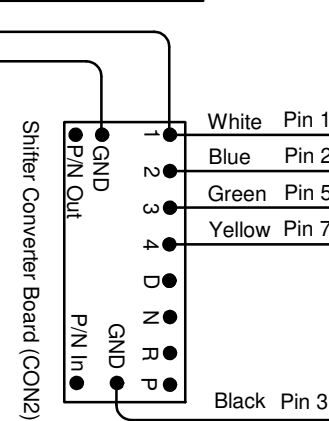
### Magnetic Speed Sensor

### NB! Harness Plug Pin View

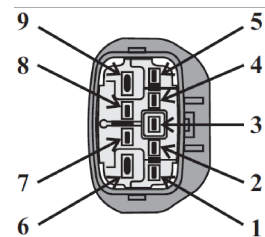
Pin	Harness	Color
1	Speed/Oil	SP1- Black
2	Speed/Oil	SP Blue



### Transmission Selector Switch



### NB! Gearbox Plug Pin View

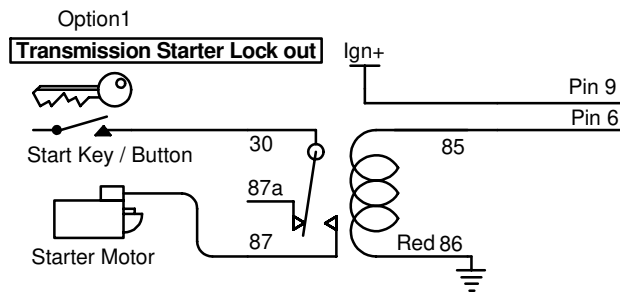
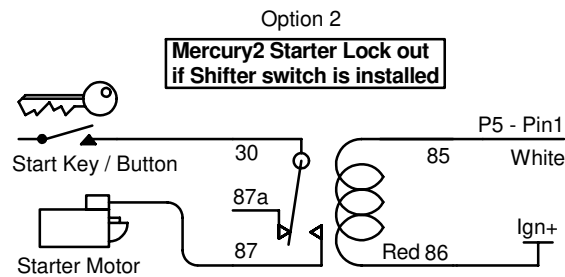
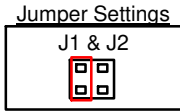
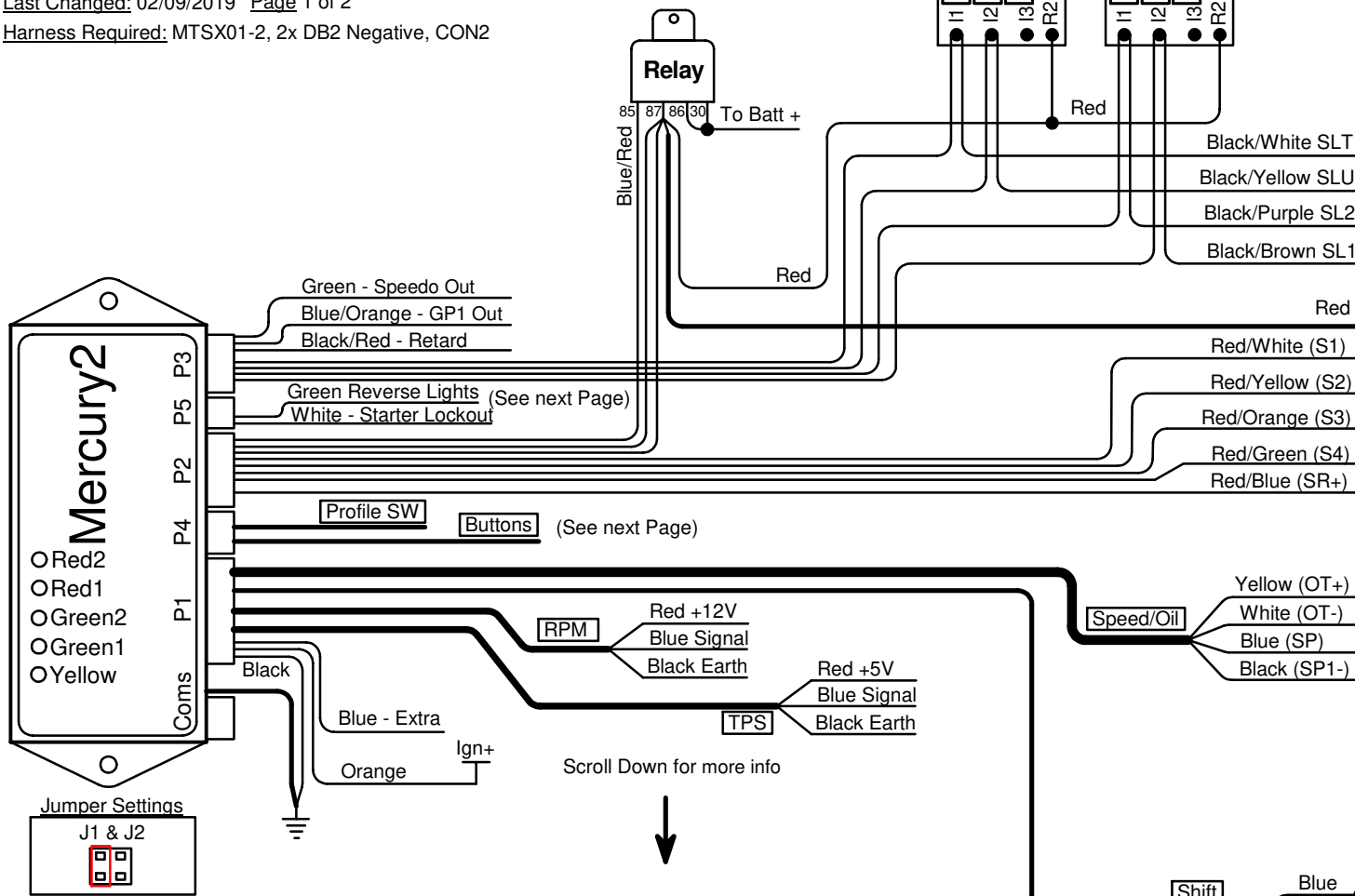


# Aisin A761E Type 1 St

## Version C

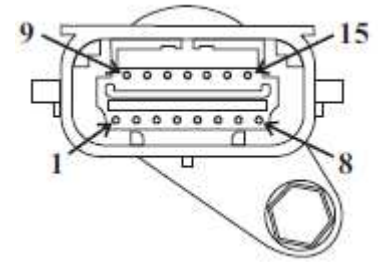
Last Changed: 02/09/2019 Page 1 of 2

Harness Required: MTSX01-2, 2x DB2 Negative, CON2



### Transmission Connector

### NB! Gearbox Conector Pin View

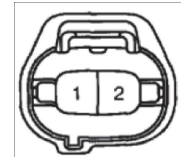


Pin	Harness	Color	Connector	Resistance	
				Cold	Hot
1	Oil Temp	White	OT-	P1-GND	292 358 Ω
2	Gearbox	Black/Purple	SL2-	P3-1	5 5.6 Ω
3	Gearbox	Black/Brown	SL1-	P3-6	5 5.6 Ω
4	Gearbox	Black/Yellow	SLU-	P3-7	5 5.6 Ω
5	Gearbox	Black/White	SLT-	P3-3	5 5.6 Ω
6	Gearbox	Red/Blue	SR+	P2-3	11 15 Ω
7	Gearbox	Red/Orange	S3	P2-2	11 15 Ω
8	Gearbox	Red/White	S1	P2-1	11 15 Ω
9	Oil Temp	Yellow	OT+	P1-7	79 156 kΩ
10	12V	Red	SL2+		
11	12V	Red	SL1+		
12	12V	Red	SLU+		
13	12V	Red	SLT+		
14	Gearbox	Red/Green	S4	P2-7	11 15 Ω
15	Gearbox	Red/Yellow	S2	P2-6	11 15 Ω

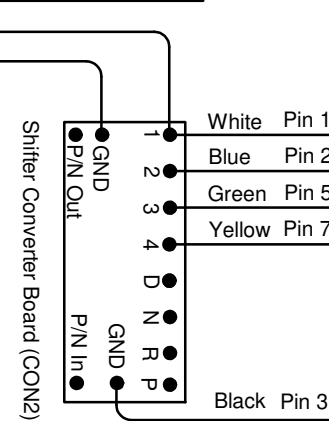
### Magnetic Speed Sensor

### NB! Harness Plug Pin View

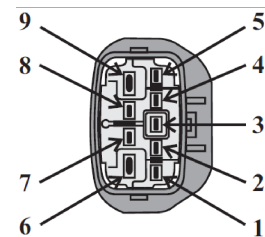
Pin	Harness	Color
1	Speed/Oil	SP1- Black
2	Speed/Oil	SP Blue



### Transmission Selector Switch



### NB! Gearbox Plug Pin View

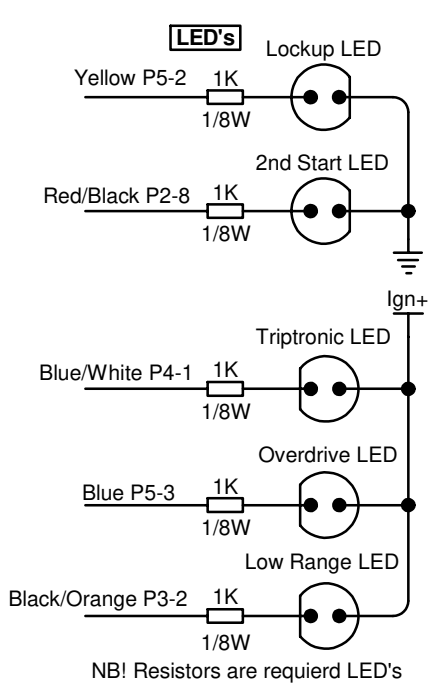


# Aisin A761E Type 1 St

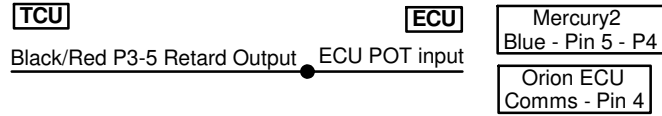
## Version C

Last Changed: 20/08/2019 Page 2 of 2

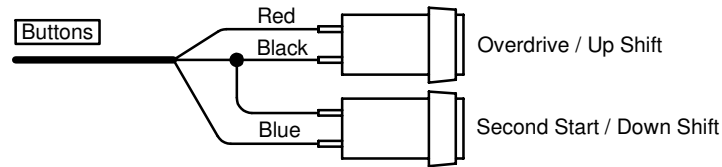
Harness Required: MTSX01-2, 2x DB2 Negative, CON2



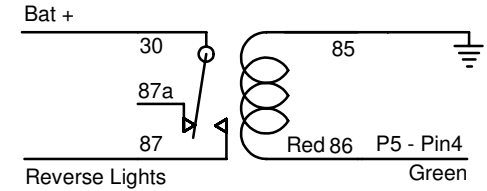
### Timing Retard Circuit



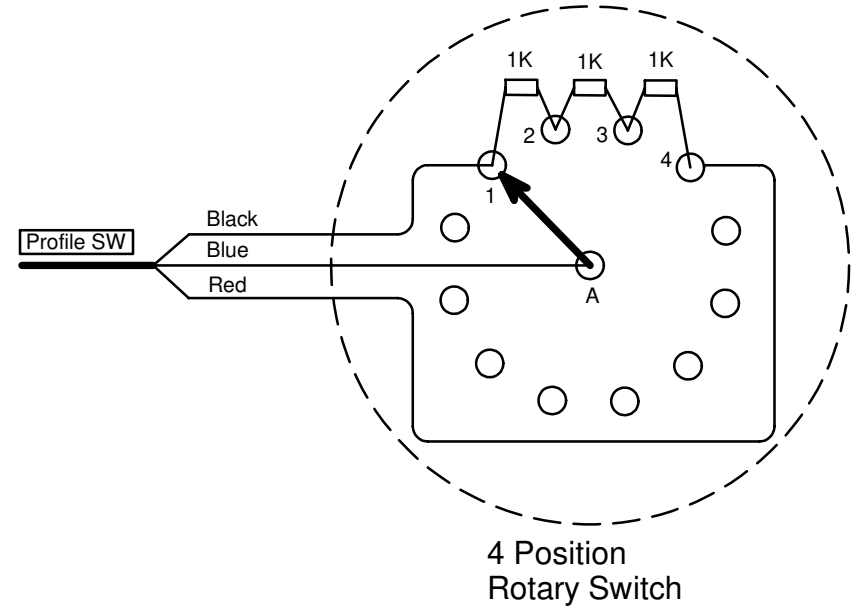
### Tiptronic Buttons



### Reverse light Relay



### 4 Map Switch

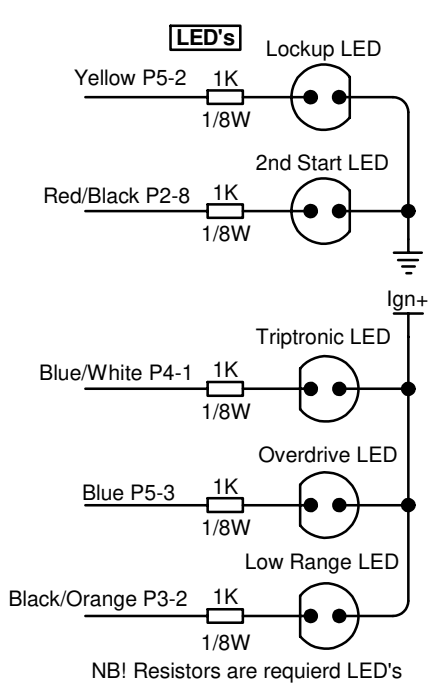


# Aisin A761E Type 1 St

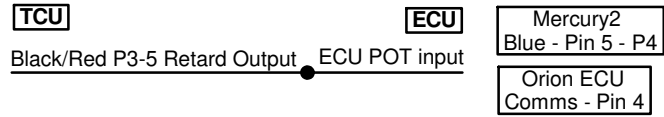
## Version C

Last Changed: 20/08/2019 Page 2 of 2

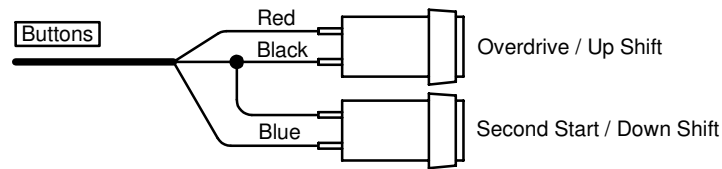
Harness Required: MTSX01-2, 2x DB2 Negative, CON2



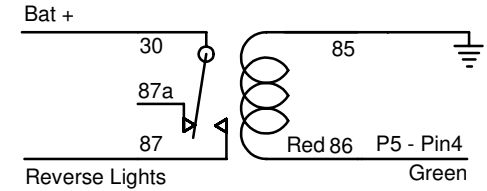
### Timing Retard Circuit



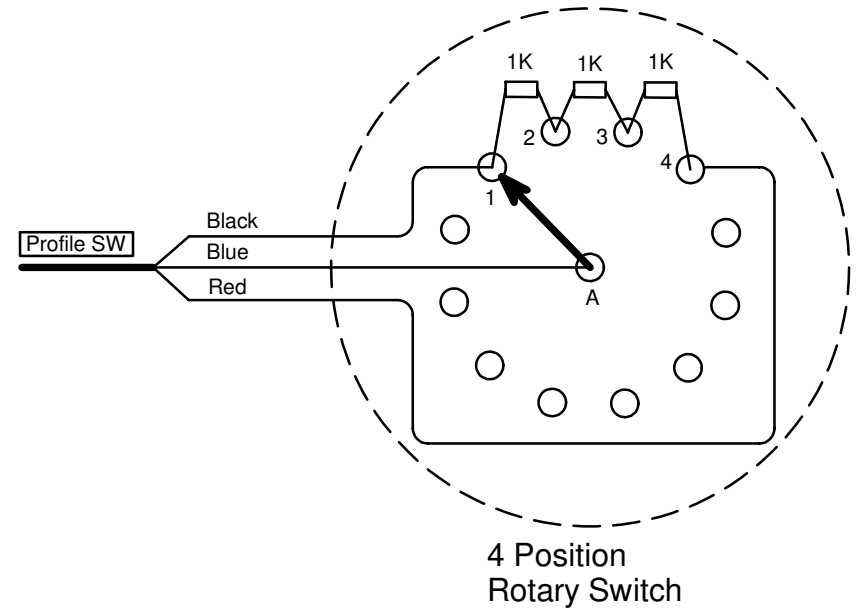
### Tiptronic Buttons



### Reverse light Relay



### 4 Map Switch

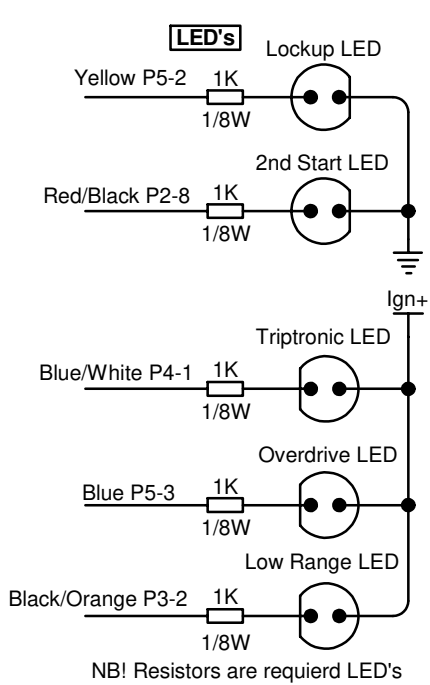


# Aisin A761E Type 1 St

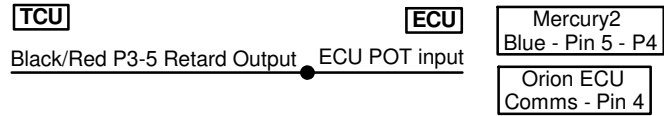
## Version C

Last Changed: 20/08/2019 Page 2 of 2

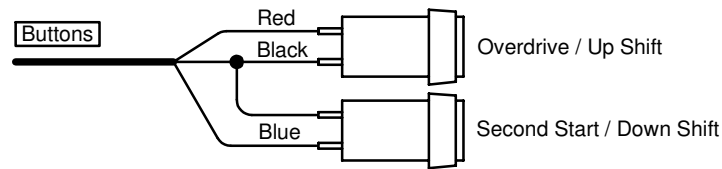
Harness Required: MTSX01-2, 2x DB2 Negative, CON2



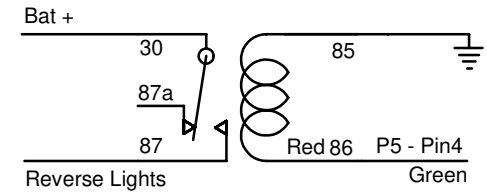
### Timing Retard Circuit



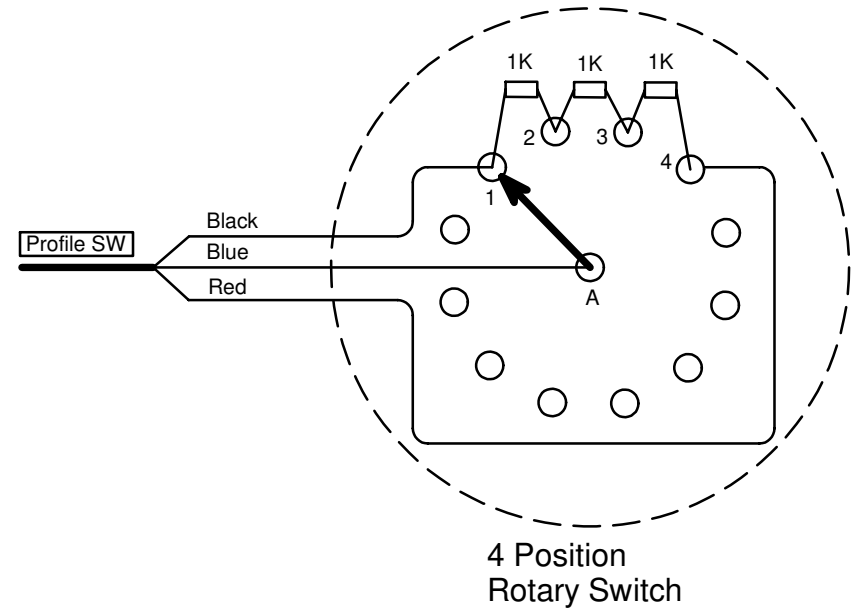
### Tiptronic Buttons



### Reverse light Relay



### 4 Map Switch



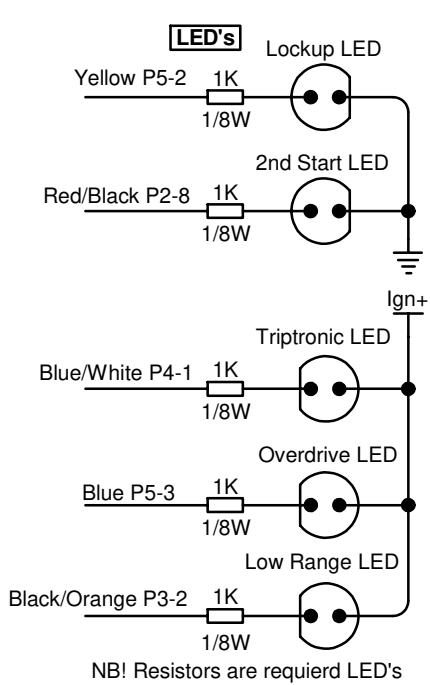


# Aisin A761E Type 1 St

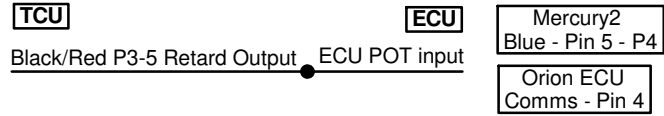
## Version C

Last Changed: 20/08/2019 Page 2 of 2

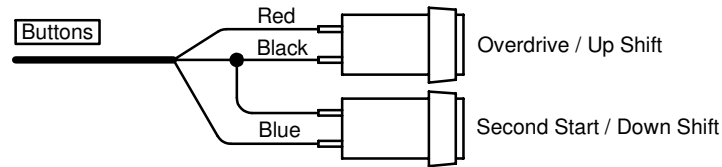
Harness Required: MTSX01-2, 2x DB2 Negative, CON2



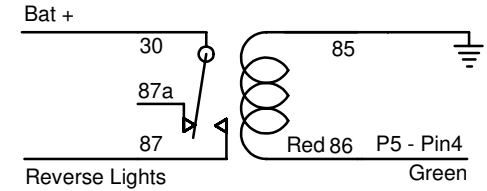
### Timing Retard Circuit



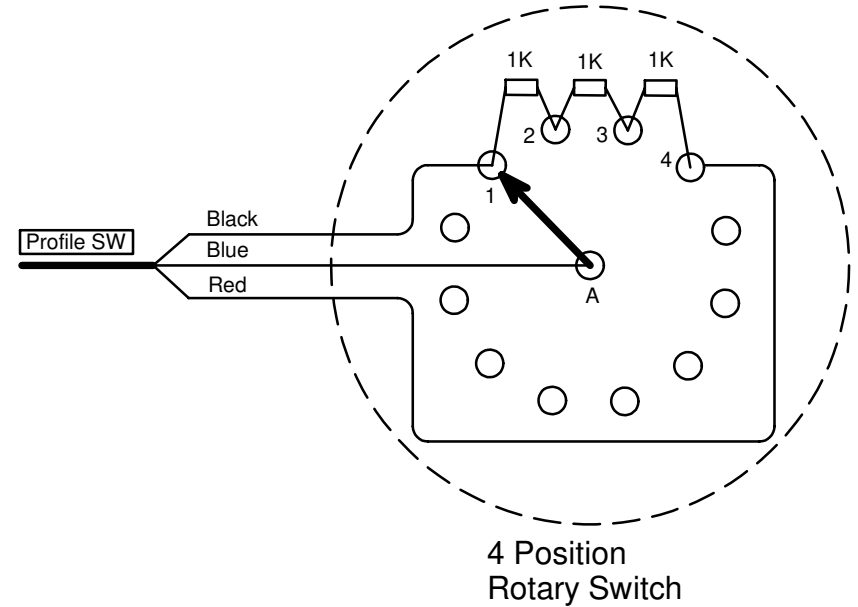
### Tiptronic Buttons



### Reverse light Relay



### 4 Map Switch

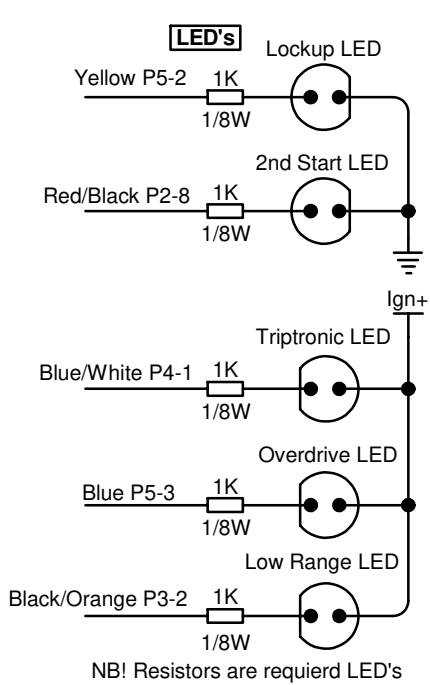


# Aisin A761E Type 1 St

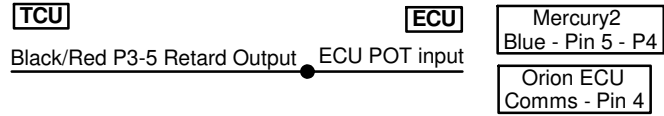
## Version C

Last Changed: 20/08/2019 Page 2 of 2

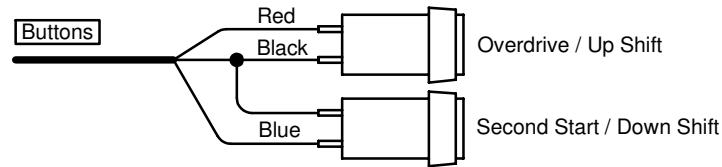
Harness Required: MTSX01-2, 2x DB2 Negative, CON2



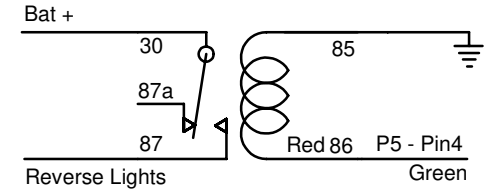
### Timing Retard Circuit



### Tiptronic Buttons



### Reverse light Relay



### 4 Map Switch

