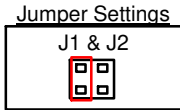
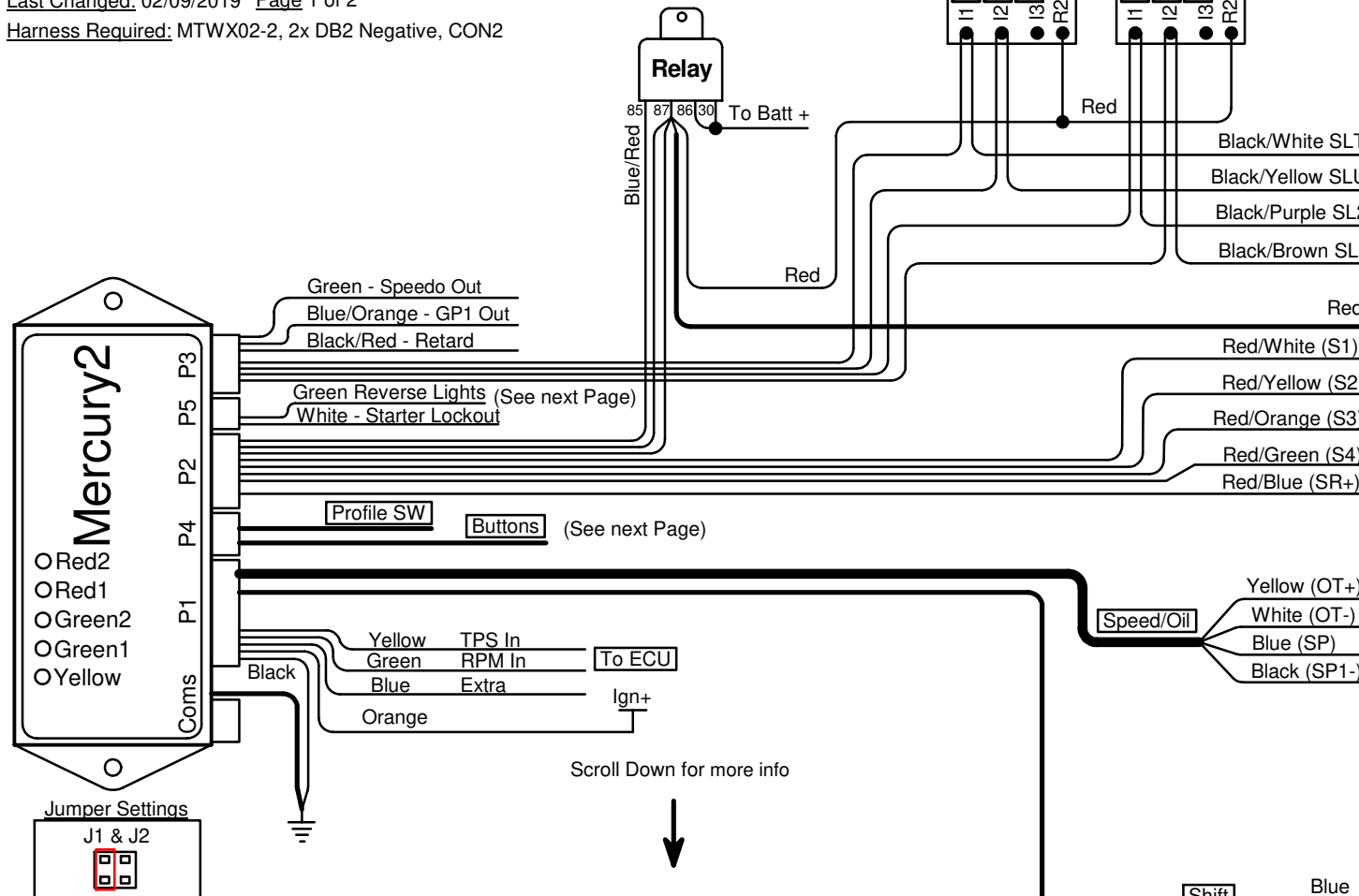


Aisin A761E Type 2

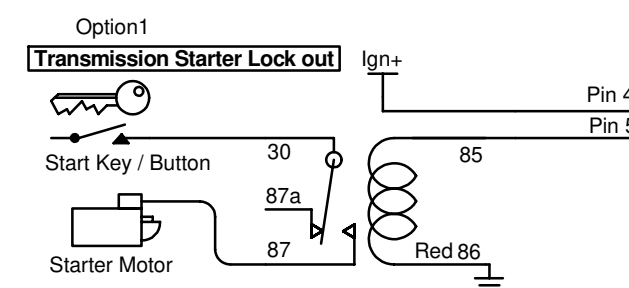
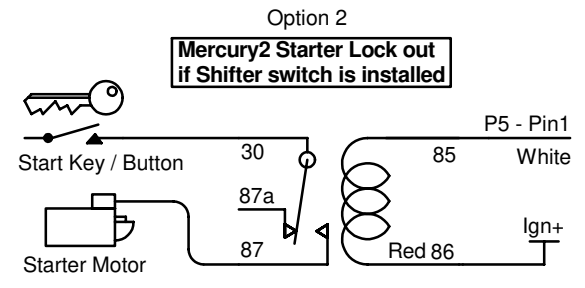
Version C

Last Changed: 02/09/2019 Page 1 of 2

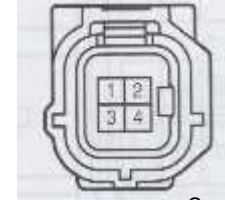
Harness Required: MTWX02-2, 2x DB2 Negative, CON2



Scroll Down for more info

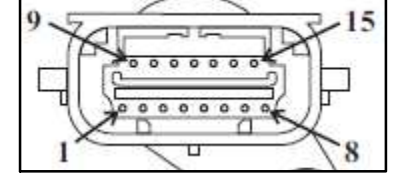


Transmission Connector Pin view



Connector B

Connector A



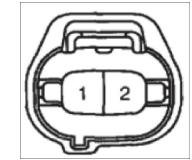
Connector A

Pin	Harness	Color	Connector	Resistance			
				Cold	Hot	Ω	
A1	TFT 1	White	OT-	P1-GND	292	358	Ω
A2	TFT 2	N/C					
A3	Gearbox	Black/Brown	SL1-	P3-6	5	5.6	Ω
A4	Gearbox	Black/Yellow	SLU-	P3-7	5	5.6	Ω
A5	Gearbox	Black/White	SLT-	P3-3	5	5.6	Ω
A6	Gearbox	Red/Blue	SR+	P2-3	11	15	Ω
A7	Gearbox	Red/Orange	S3	P2-2	11	15	Ω
A8	Gearbox	Red/White	S1	P2-1	11	15	Ω
A9	TFT 1	Yellow	OT+	P1-7	79	156	kΩ
A10	TFT 2	N/C					
A11	12V	Red	SL1+				
A12	12V	Red	SLU+				
A13	12V	Red	SLT+				
A14	Gearbox	Red/Green	S4	P2-7	11	15	Ω
A15	Gearbox	Red/Yellow	S2	P2-6	11	15	Ω
B2	Gearbox	Black/Purple	SL2-	P3-1	5	5.6	Ω
B4	12V	Red	SL2+				

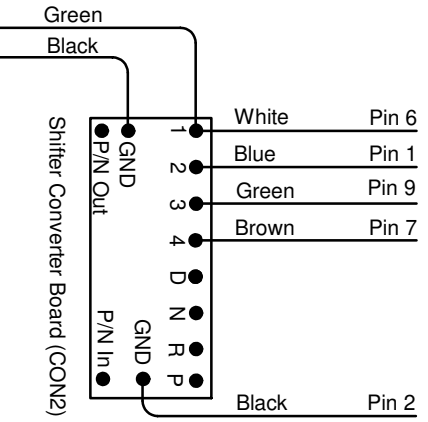
Magnetic Speed Sensor

Pin	Harness	Color
1	Speed/Oil	SP1- Black
2	Speed/Oil	SP Blue

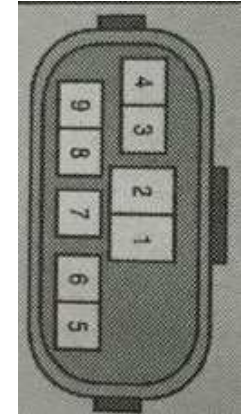
NB! Harness Plug Pin View



Transmission Selector Switch



NB! Gearbox Plug Pin View

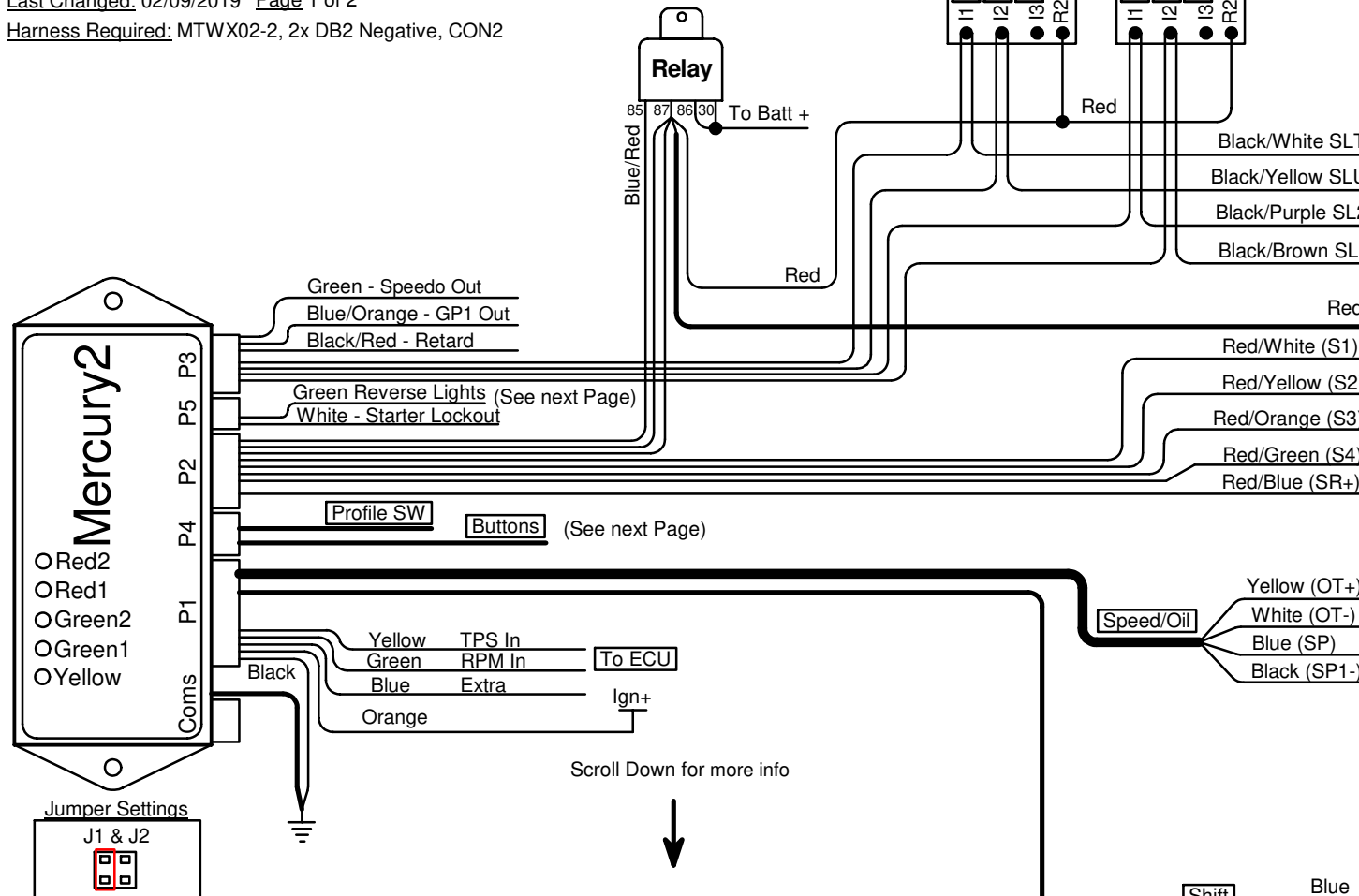


Aisin A761E Type 2

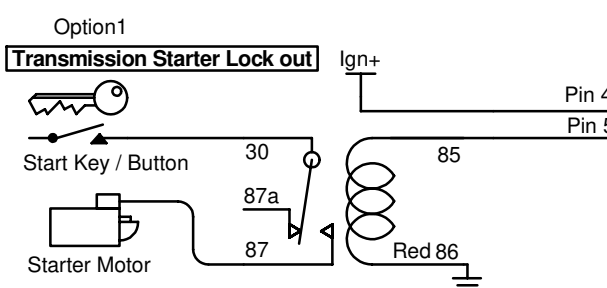
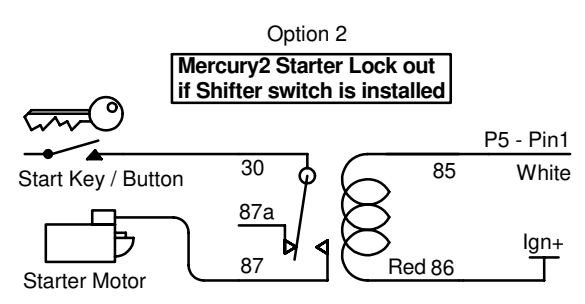
Version C

Last Changed: 02/09/2019 Page 1 of 2

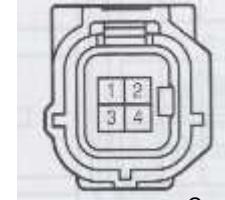
Harness Required: MTWX02-2, 2x DB2 Negative, CON2



Scroll Down for more info

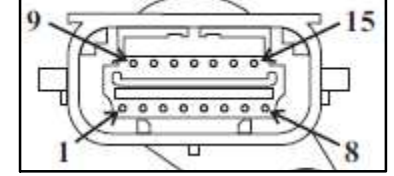


Transmission Connector Pin view



Connector B

Connector A



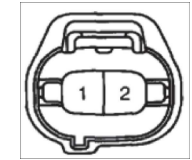
Connector A

Pin	Harness	Color	Connector	Resistance			
				Cold	Hot	Ω	
A1	TFT 1	White	OT-	P1-GND	292	358	Ω
A2	TFT 2	N/C					
A3	Gearbox	Black/Brown	SL1-	P3-6	5	5.6	Ω
A4	Gearbox	Black/Yellow	SLU-	P3-7	5	5.6	Ω
A5	Gearbox	Black/White	SLT-	P3-3	5	5.6	Ω
A6	Gearbox	Red/Blue	SR+	P2-3	11	15	Ω
A7	Gearbox	Red/Orange	S3	P2-2	11	15	Ω
A8	Gearbox	Red/White	S1	P2-1	11	15	Ω
A9	TFT 1	Yellow	OT+	P1-7	79	156	kΩ
A10	TFT 2	N/C					
A11	12V	Red	SL1+				
A12	12V	Red	SLU+				
A13	12V	Red	SLT+				
A14	Gearbox	Red/Green	S4	P2-7	11	15	Ω
A15	Gearbox	Red/Yellow	S2	P2-6	11	15	Ω
B2	Gearbox	Black/Purple	SL2-	P3-1	5	5.6	Ω
B4	12V	Red	SL2+				

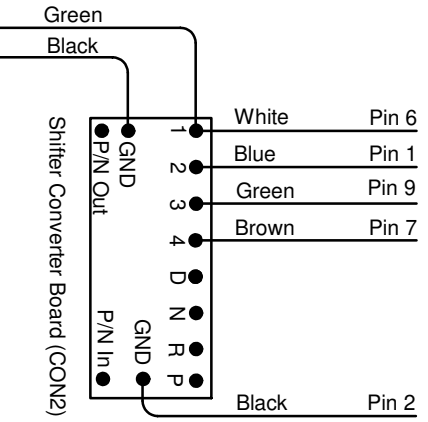
Magnetic Speed Sensor

Pin	Harness	Color
1	Speed/Oil	SP1- Black
2	Speed/Oil	SP Blue

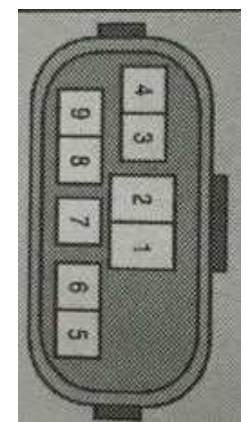
NB! Harness Plug Pin View



Transmission Selector Switch



NB! Gearbox Plug Pin View

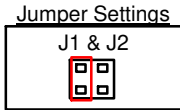
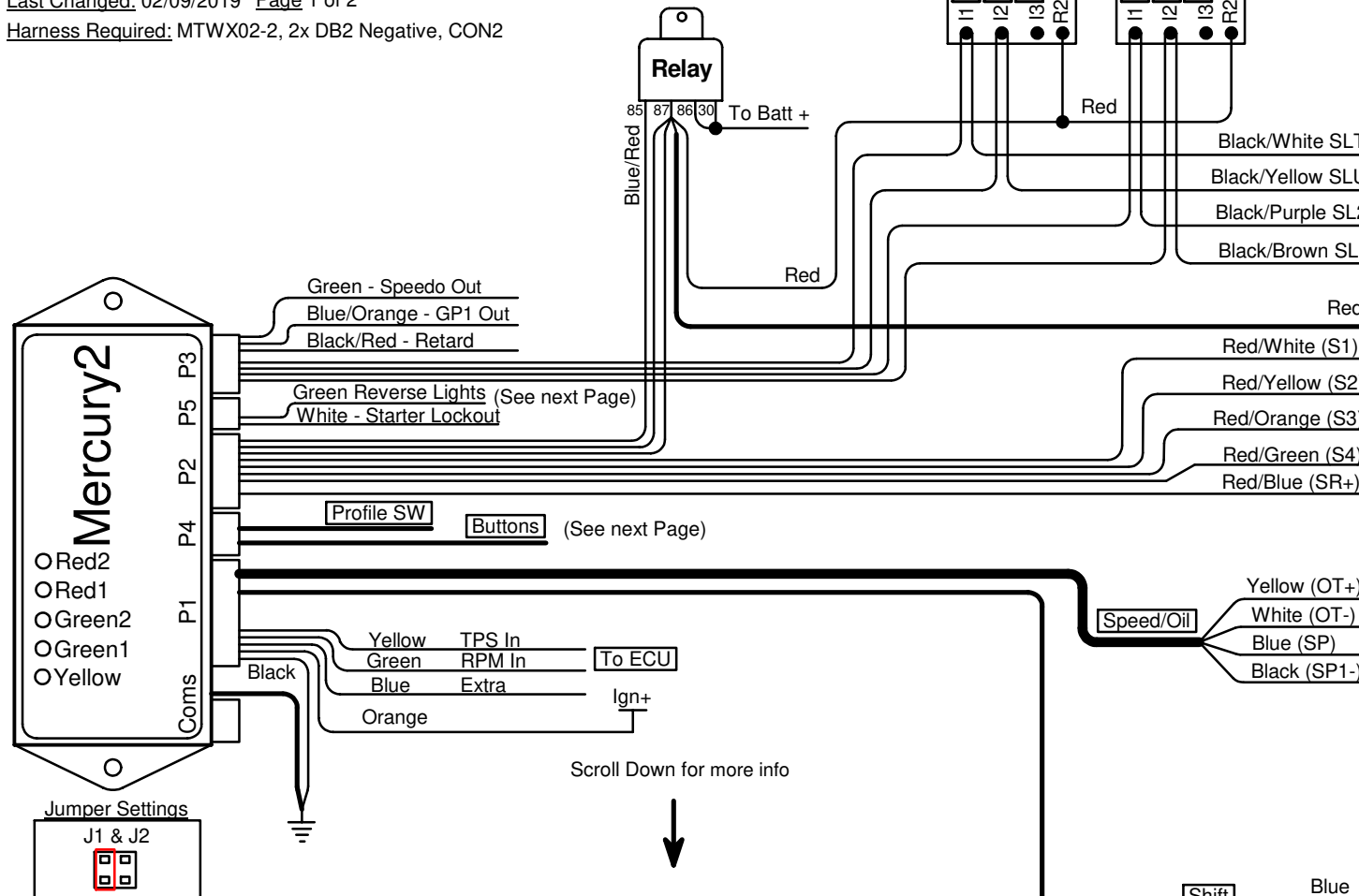


Aisin A761E Type 2

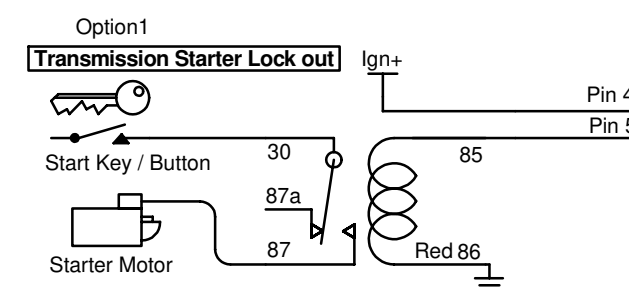
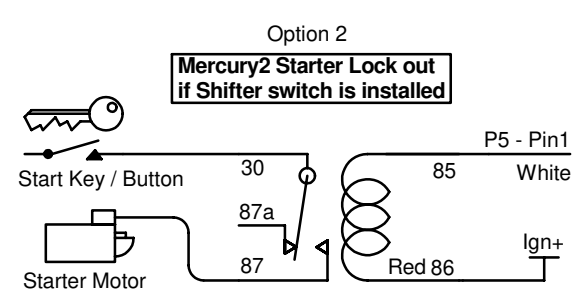
Version C

Last Changed: 02/09/2019 Page 1 of 2

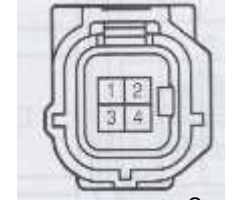
Harness Required: MTWX02-2, 2x DB2 Negative, CON2



Scroll Down for more info

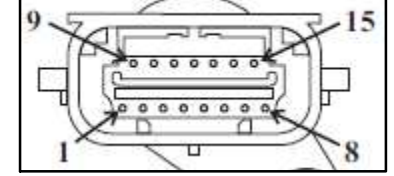


Transmission Connector Pin view



Connector B

Connector A



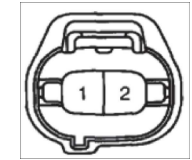
Connector A

Pin	Harness	Color	Connector	Resistance			
				Cold	Hot	Ω	
A1	TFT 1	White	OT-	P1-GND	292	358	Ω
A2	TFT 2	N/C					
A3	Gearbox	Black/Brown	SL1-	P3-6	5	5.6	Ω
A4	Gearbox	Black/Yellow	SLU-	P3-7	5	5.6	Ω
A5	Gearbox	Black/White	SLT-	P3-3	5	5.6	Ω
A6	Gearbox	Red/Blue	SR+	P2-3	11	15	Ω
A7	Gearbox	Red/Orange	S3	P2-2	11	15	Ω
A8	Gearbox	Red/White	S1	P2-1	11	15	Ω
A9	TFT 1	Yellow	OT+	P1-7	79	156	kΩ
A10	TFT 2	N/C					
A11	12V	Red	SL1+				
A12	12V	Red	SLU+				
A13	12V	Red	SLT+				
A14	Gearbox	Red/Green	S4	P2-7	11	15	Ω
A15	Gearbox	Red/Yellow	S2	P2-6	11	15	Ω
B2	Gearbox	Black/Purple	SL2-	P3-1	5	5.6	Ω
B4	12V	Red	SL2+				

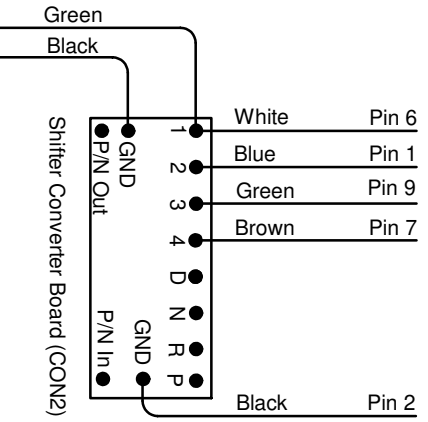
Magnetic Speed Sensor

Pin	Harness	Color
1	Speed/Oil	SP1- Black
2	Speed/Oil	SP Blue

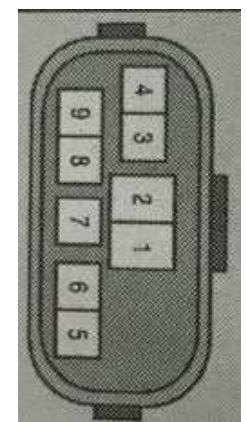
NB! Harness Plug Pin View



Transmission Selector Switch



NB! Gearbox Plug Pin View

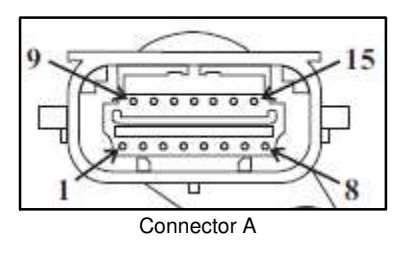
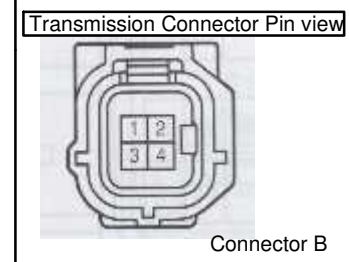
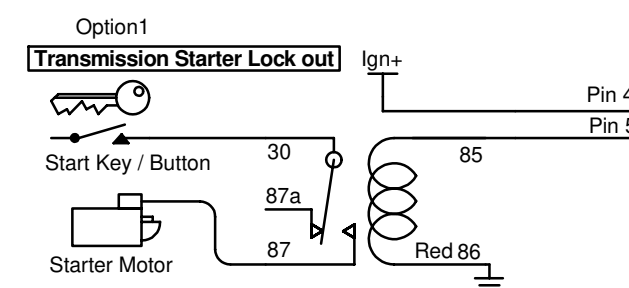
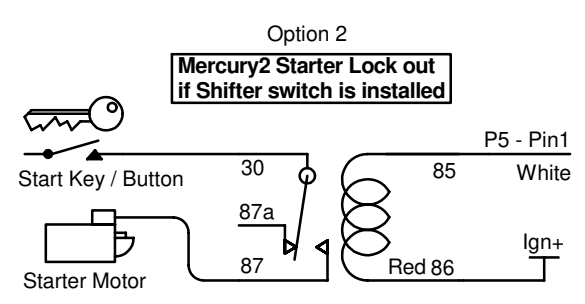
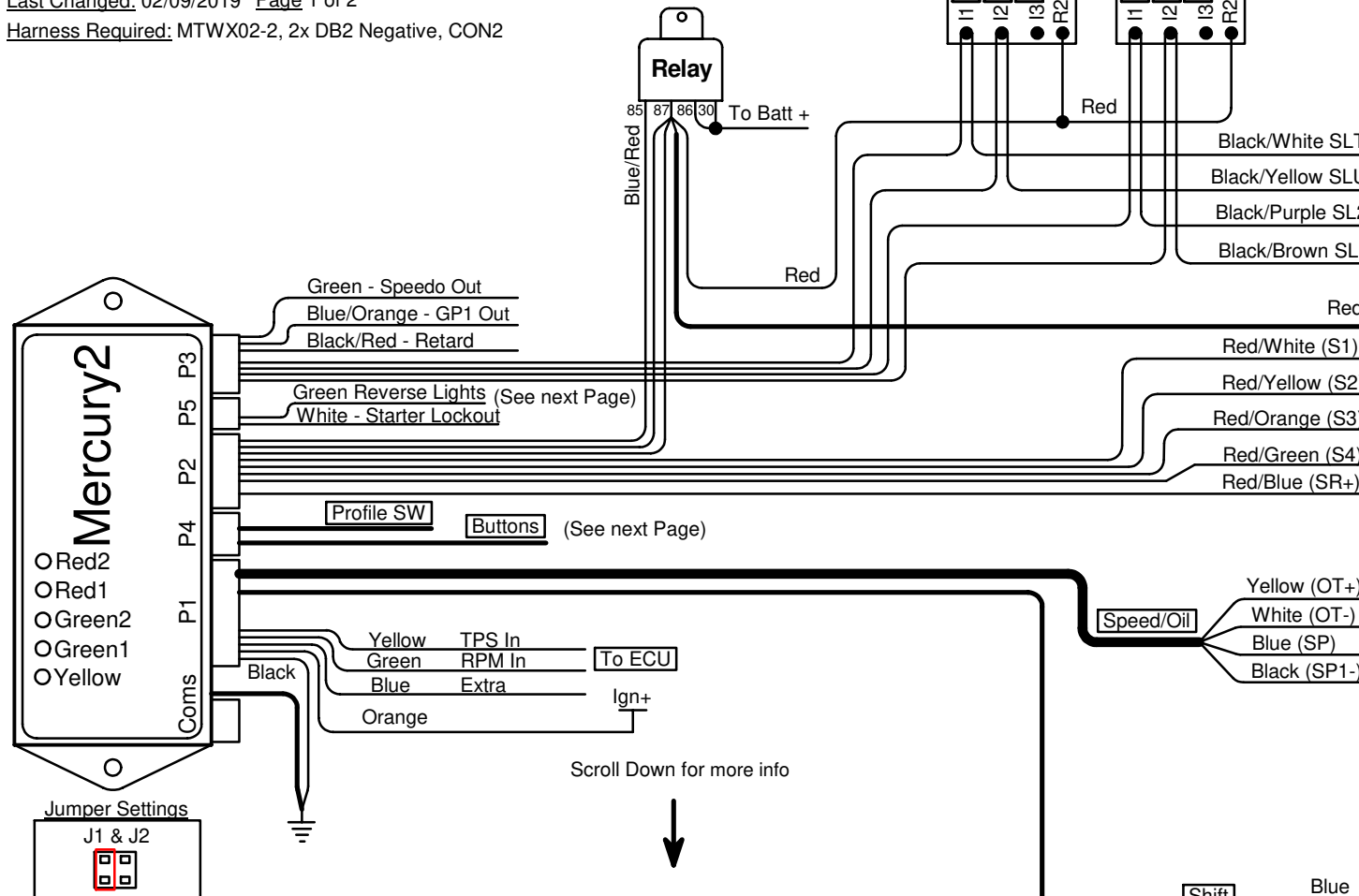


Aisin A761E Type 2

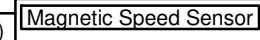
Version C

Last Changed: 02/09/2019 Page 1 of 2

Harness Required: MTWX02-2, 2x DB2 Negative, CON2

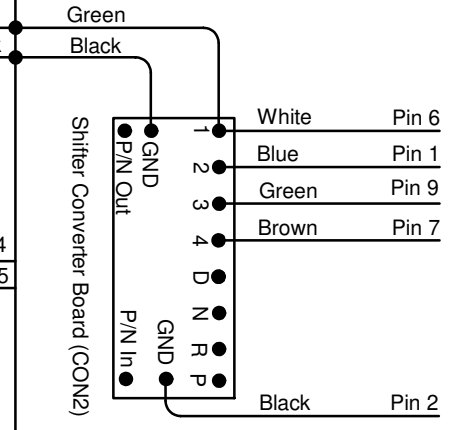
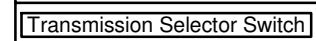
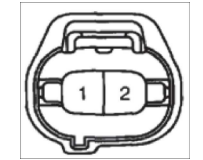


Pin	Harness	Color	Connector	Resistance			
				Cold	Hot	Ω	
A1	TFT 1	White	OT-	P1-GND	292	358	Ω
A2	TFT 2	N/C					
A3	Gearbox	Black/Brown	SL1-	P3-6	5	5.6	Ω
A4	Gearbox	Black/Yellow	SLU-	P3-7	5	5.6	Ω
A5	Gearbox	Black/White	SLT-	P3-3	5	5.6	Ω
A6	Gearbox	Red/Blue	SR+	P2-3	11	15	Ω
A7	Gearbox	Red/Orange	S3	P2-2	11	15	Ω
A8	Gearbox	Red/White	S1	P2-1	11	15	Ω
A9	TFT 1	Yellow	OT+	P1-7	79	156	kΩ
A10	TFT 2	N/C					
A11	12V	Red	SL1+				
A12	12V	Red	SLU+				
A13	12V	Red	SLT+				
A14	Gearbox	Red/Green	S4	P2-7	11	15	Ω
A15	Gearbox	Red/Yellow	S2	P2-6	11	15	Ω
B2	Gearbox	Black/Purple	SL2-	P3-1	5	5.6	Ω
B4	12V	Red	SL2+				

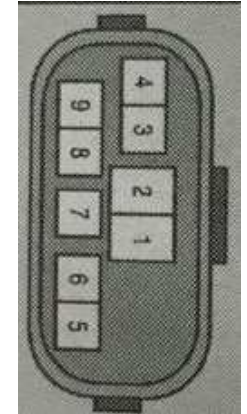


Pin	Harness	Color
1	Speed/Oil	SP1- Black
2	Speed/Oil	SP Blue

NB! Harness Plug Pin View



NB! Gearbox Plug Pin View

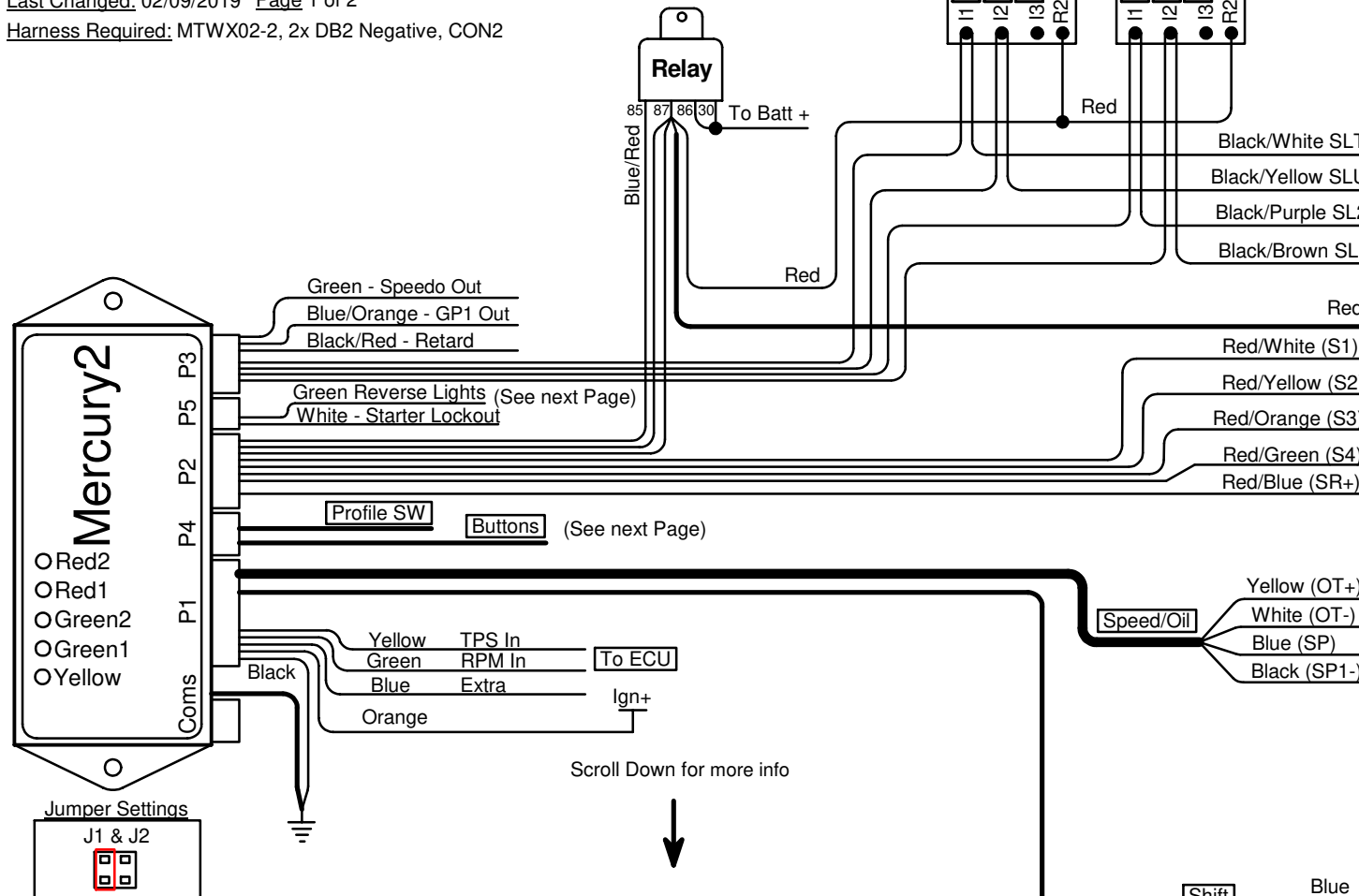


Aisin A761E Type 2

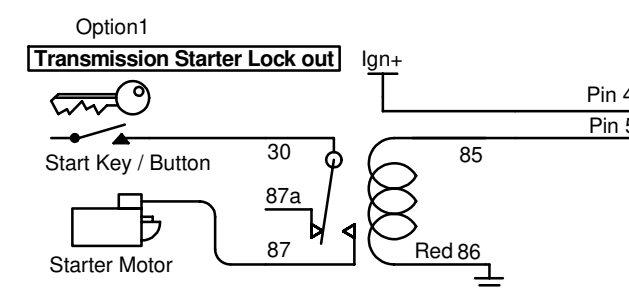
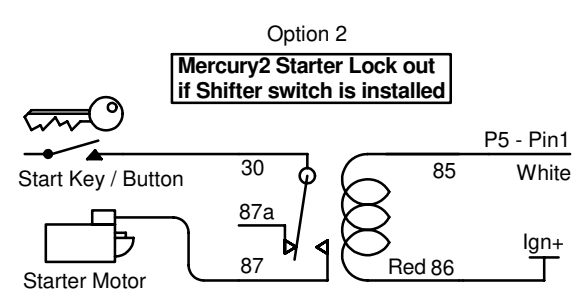
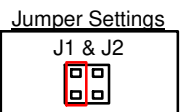
Version C

Last Changed: 02/09/2019 Page 1 of 2

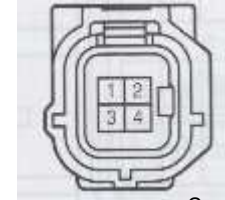
Harness Required: MTWX02-2, 2x DB2 Negative, CON2



Scroll Down for more info

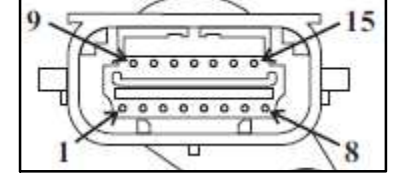


Transmission Connector Pin view



Connector B

Connector A



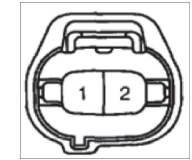
Connector A

Pin	Harness	Color	Connector	Resistance			
				Cold	Hot	Ω	
A1	TFT 1	White	OT-	P1-GND	292	358	Ω
A2	TFT 2	N/C					
A3	Gearbox	Black/Brown	SL1-	P3-6	5	5.6	Ω
A4	Gearbox	Black/Yellow	SLU-	P3-7	5	5.6	Ω
A5	Gearbox	Black/White	SLT-	P3-3	5	5.6	Ω
A6	Gearbox	Red/Blue	SR+	P2-3	11	15	Ω
A7	Gearbox	Red/Orange	S3	P2-2	11	15	Ω
A8	Gearbox	Red/White	S1	P2-1	11	15	Ω
A9	TFT 1	Yellow	OT+	P1-7	79	156	kΩ
A10	TFT 2	N/C					
A11	12V	Red	SL1+				
A12	12V	Red	SLU+				
A13	12V	Red	SLT+				
A14	Gearbox	Red/Green	S4	P2-7	11	15	Ω
A15	Gearbox	Red/Yellow	S2	P2-6	11	15	Ω
B2	Gearbox	Black/Purple	SL2-	P3-1	5	5.6	Ω
B4	12V	Red	SL2+				

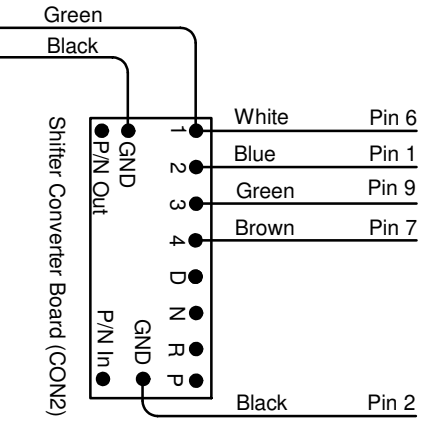
Magnetic Speed Sensor

Pin	Harness	Color
1	Speed/Oil	SP1- Black
2	Speed/Oil	SP Blue

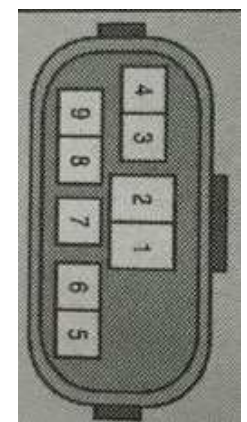
NB! Harness Plug Pin View



Transmission Selector Switch



NB! Gearbox Plug Pin View

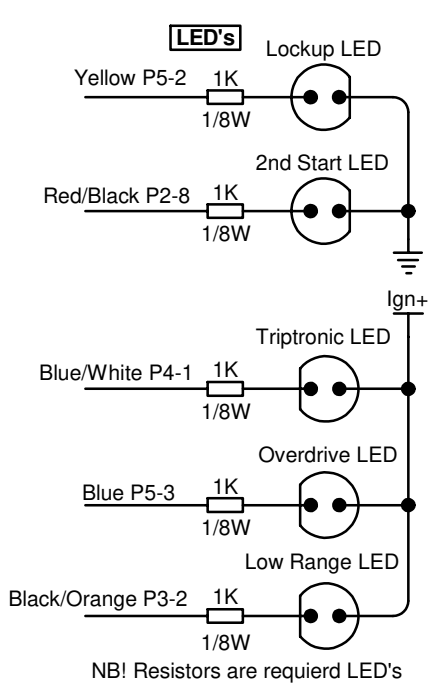


Aisin A761E Type 2

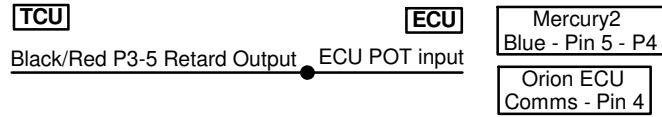
Version C

Last Changed: 20/08/2019 Page 2 of 2

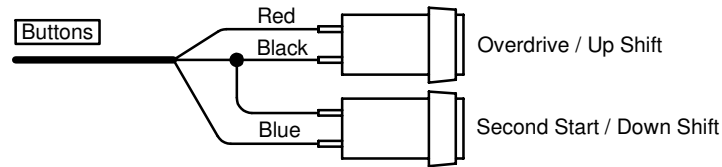
Harness Required: MTWX02-2, 2x DB2 Negative, CON2



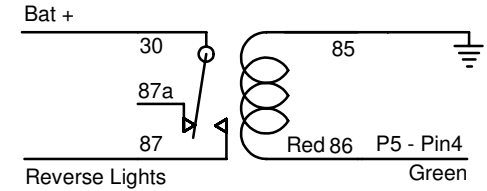
Timing Retard Circuit



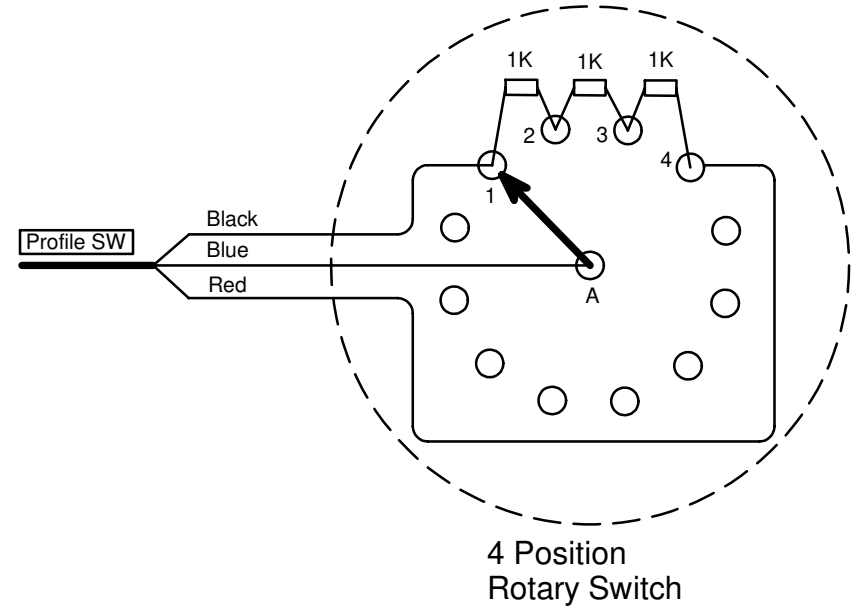
Tiptronic Buttons



Reverse light Relay



4 Map Switch

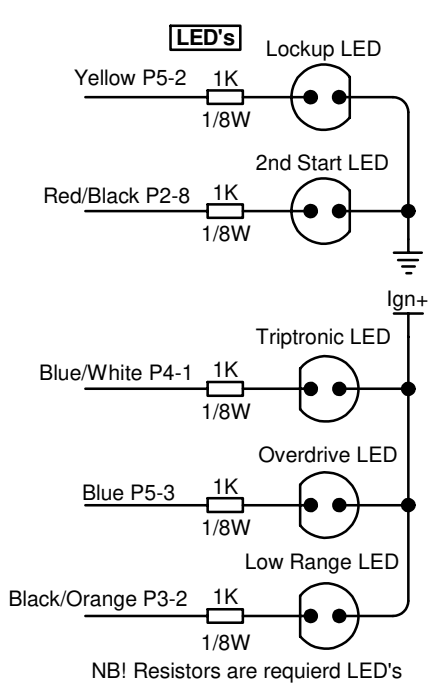


Aisin A761E Type 2

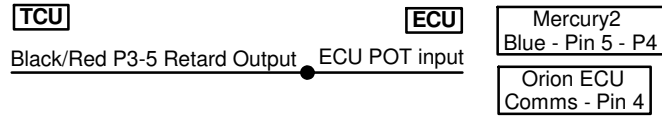
Version C

Last Changed: 20/08/2019 Page 2 of 2

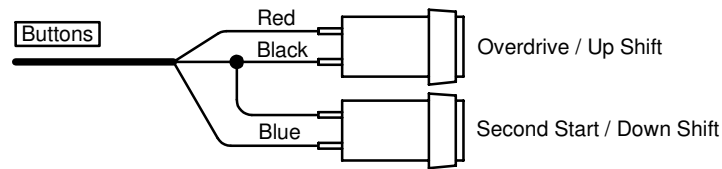
Harness Required: MTWX02-2, 2x DB2 Negative, CON2



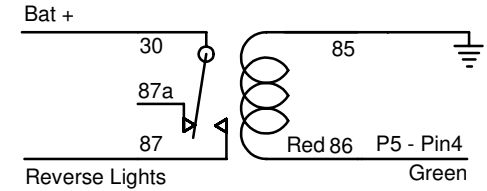
Timing Retard Circuit



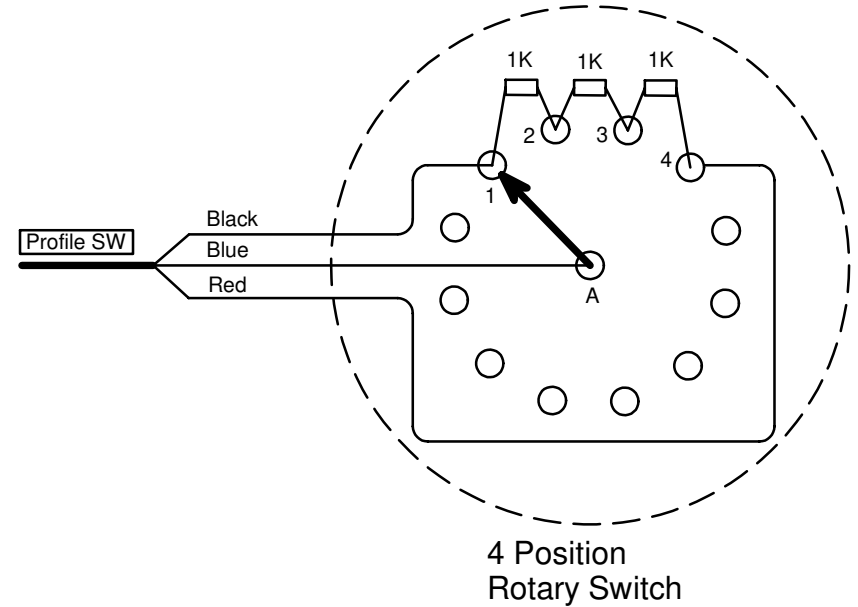
Tiptronic Buttons



Reverse light Relay



4 Map Switch

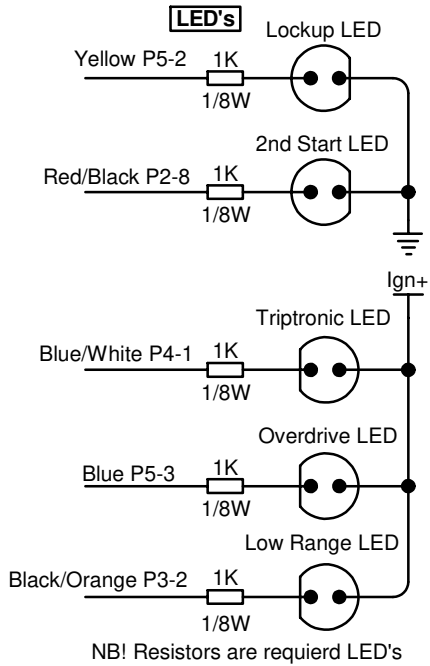


Aisin A761E Type 2

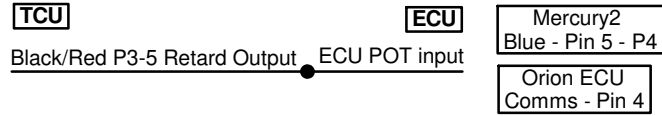
Version C

Last Changed: 20/08/2019 Page 2 of 2

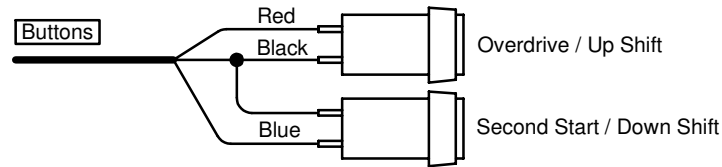
Harness Required: MTWX02-2, 2x DB2 Negative, CON2



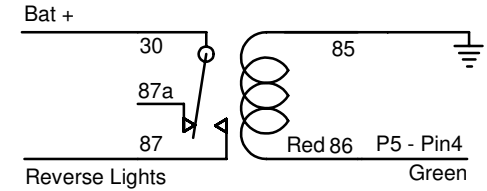
Timing Retard Circuit



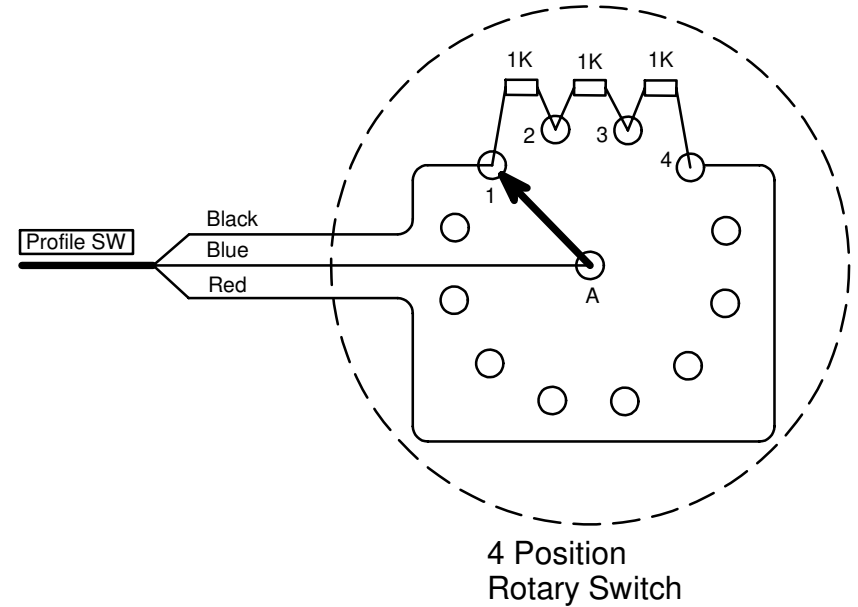
Tiptronic Buttons



Reverse light Relay



4 Map Switch

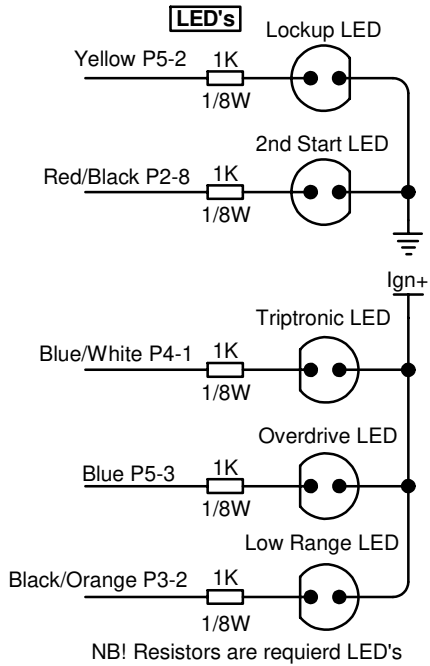


Aisin A761E Type 2

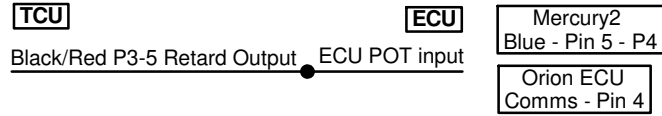
Version C

Last Changed: 20/08/2019 Page 2 of 2

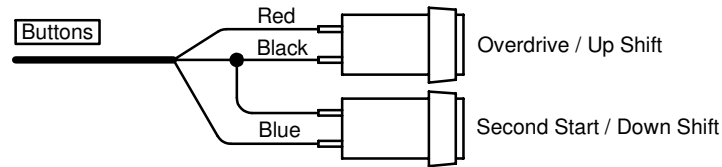
Harness Required: MTWX02-2, 2x DB2 Negative, CON2



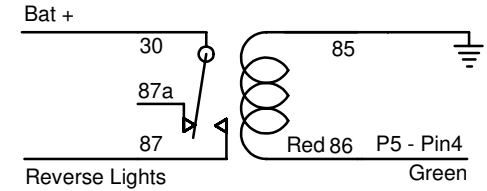
Timing Retard Circuit



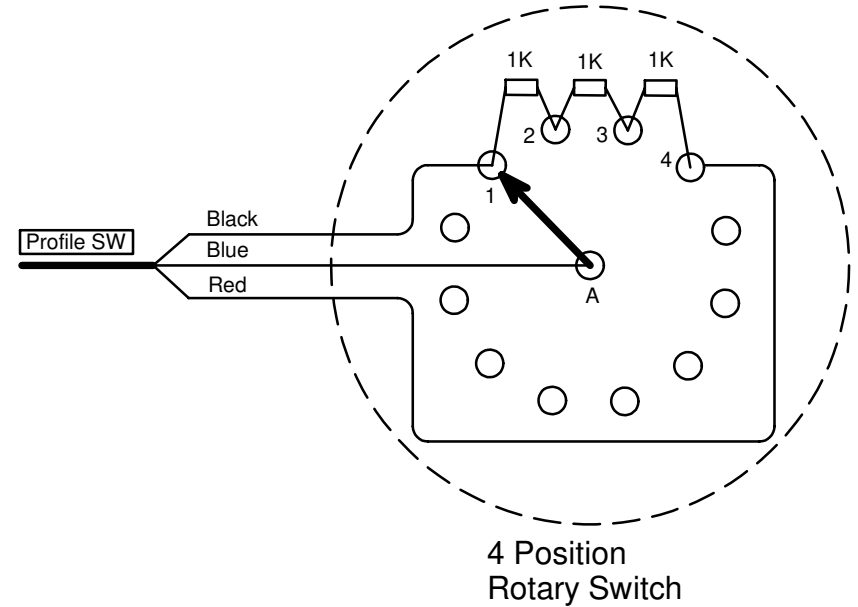
Tiptronic Buttons



Reverse light Relay



4 Map Switch

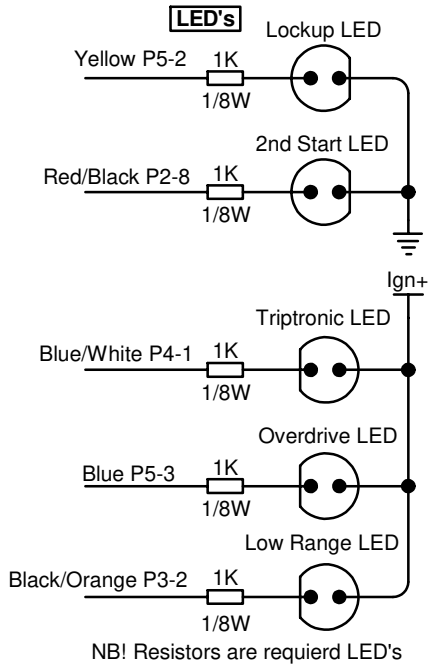


Aisin A761E Type 2

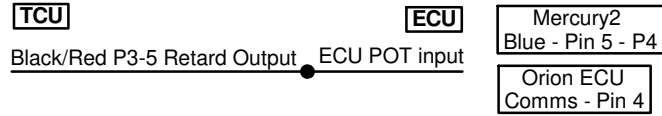
Version C

Last Changed: 20/08/2019 Page 2 of 2

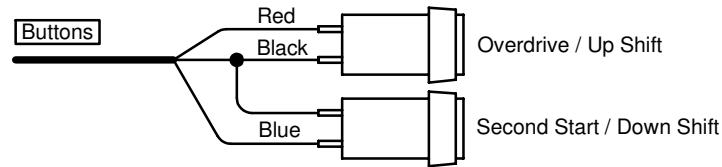
Harness Required: MTWX02-2, 2x DB2 Negative, CON2



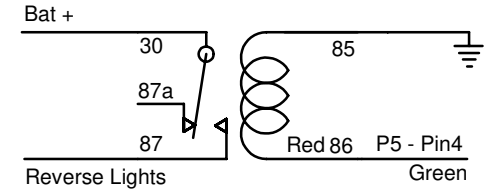
Timing Retard Circuit



Tiptronic Buttons



Reverse light Relay



4 Map Switch

