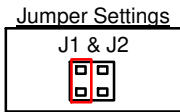
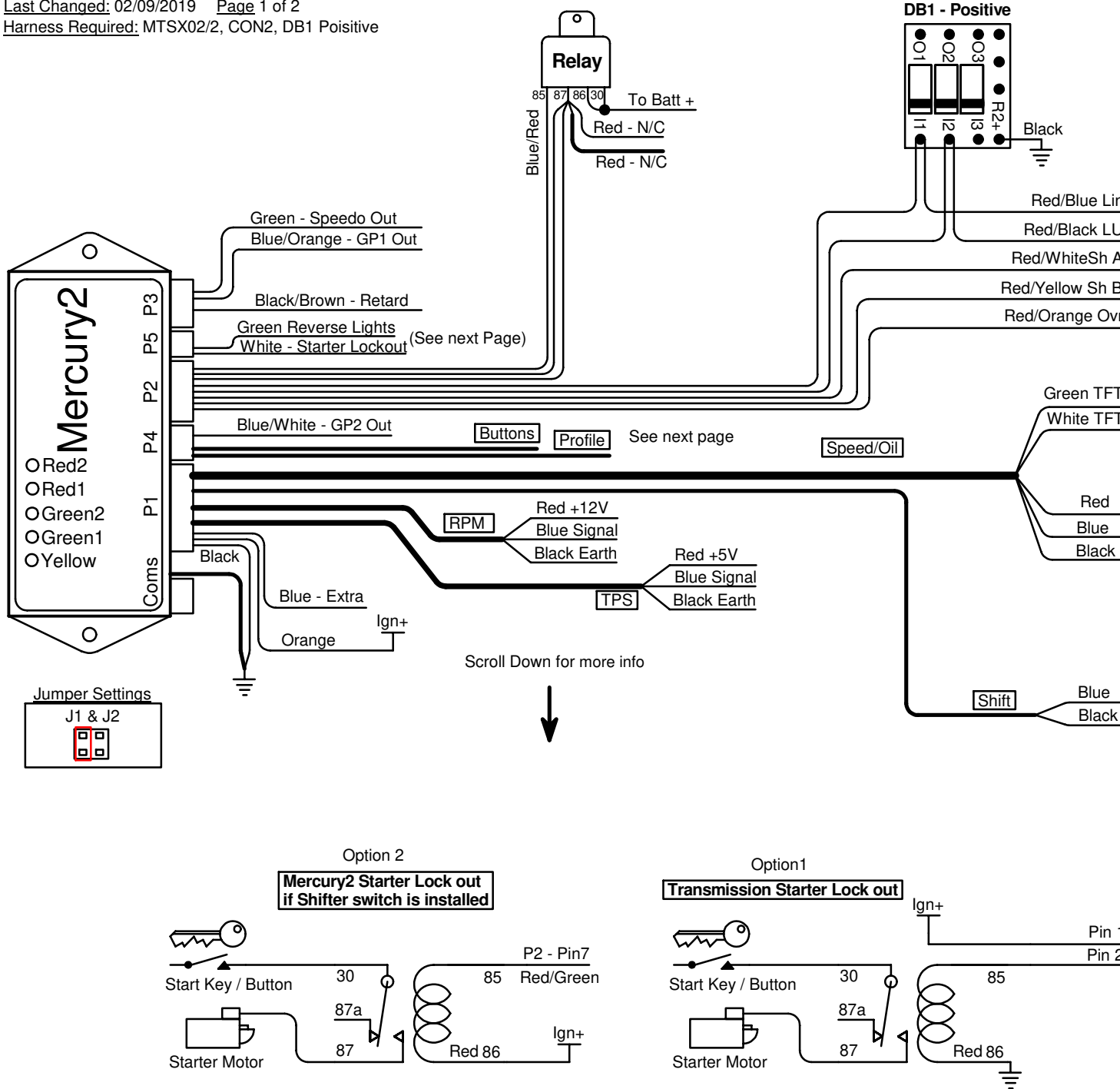
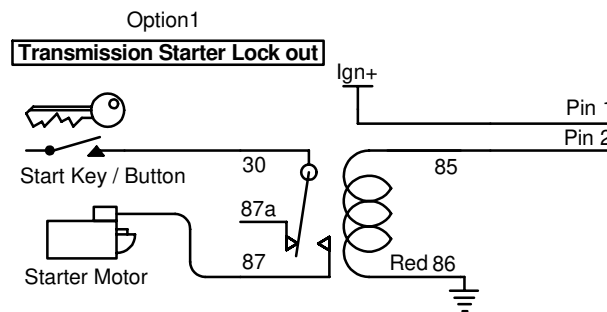
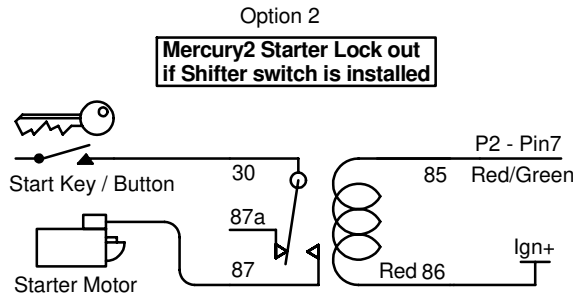


Jatco RE4R03A 4 Speed St

Last Changed: 02/09/2019 Page 1 of 2
 Harness Required: MTSX02/2, CON2, DB1 Positive



Scroll Down for more info



Transmission Connector

Harness Connector Pin View

Pin	Harness	Color	Connector	Resistance	
				Cold	Hot
1	Gearbox	Red/Yellow Sh B	P2	18	33 Ω
2	Gearbox	Red/White Sh A	P2	18	33 Ω
3	Gearbox	Red/Orange Ovr	P2	18	33 Ω
4	Gearbox	Red/Blue Lin	P2	2.3	5.5 Ω
5	Gearbox	Red/Black LU	P2	2.3	5.5 Ω
6	TFT	White	P1		
7	TFT	Green	P1		
8	N/C				

Speed Sensor

Red: N/C - Isolate
 Blue: Pin 2
 Black: Pin 1

Transmission Selector Switch

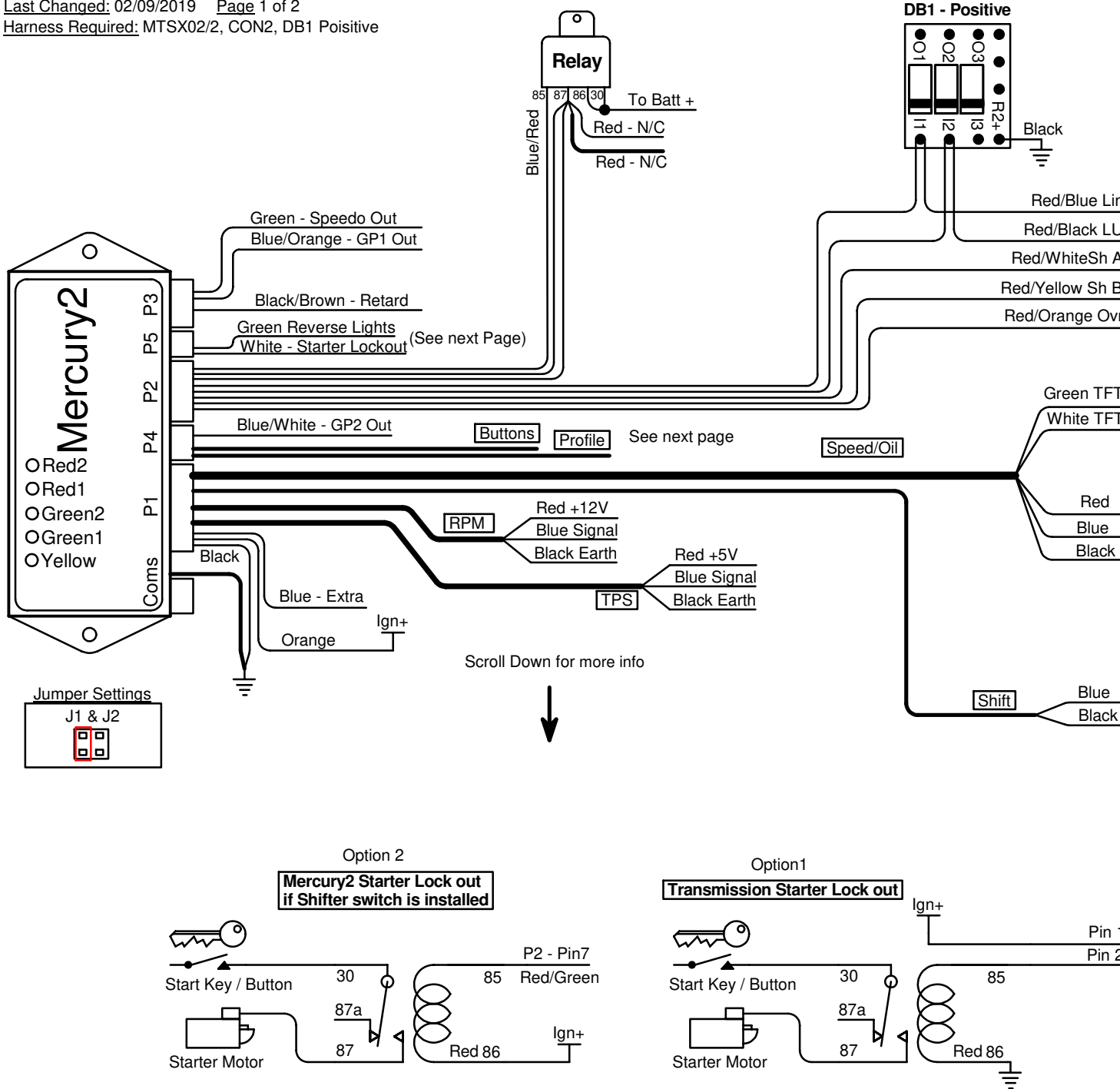
Shifter Converter Board (CON2)

- White: Pin 7
- Blue: Pin 8
- Green: Pin 9
- Yellow: Pin 6
- Brown: Pin 5
- Orange: Pin 4
- Black: Pin 3

For Starter Lockout Setup go to Page 2

Jatco RE4R03A 4 Speed St

Last Changed: 02/09/2019 Page 1 of 2
 Harness Required: MTSX02/2, CON2, DB1 Positive



Transmission Connector

Harness Connector Pin View

Pin	Harness	Color	Connector	Resistance	
				Cold	Hot
1	Gearbox	Red/Yellow Sh B	P2	18	33 Ω
2	Gearbox	Red/White Sh A	P2	18	33 Ω
3	Gearbox	Red/Orange Ovr	P2	18	33 Ω
4	Gearbox	Red/Blue Lin	P2	2.3	5.5 Ω
5	Gearbox	Red/Black LU	P2	2.3	5.5 Ω
6	TFT	White	P1		
7	TFT	Green	P1		
8	N/C				

Speed Sensor

- Red: N/C - Isolate
- Blue: Pin 2
- Black: Pin 1

Transmission Selector Switch

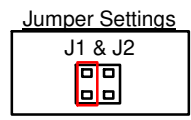
Shifter Converter Board (CON2)

- White: Pin 7
- Blue: Pin 8
- Green: Pin 9
- Yellow: Pin 6
- Brown: Pin 5
- Orange: Pin 4
- Black: Pin 3

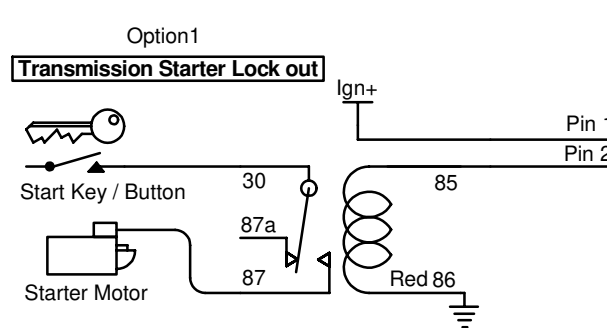
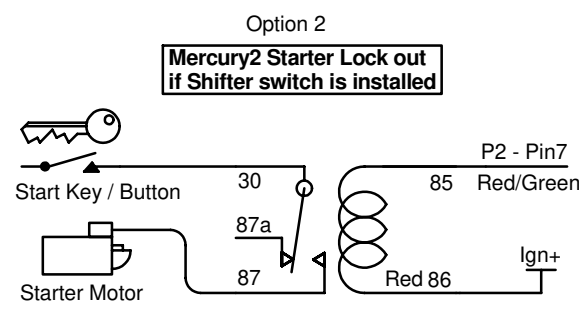
Shifter Converter Board (CON2) Pinout:

- 1: Start
- 2: Start
- 3: GND
- 4: P
- 5: R
- 6: N
- 7: D
- 8: D
- 9: Z

For Starter Lockout Setup go to Page 2

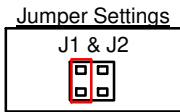
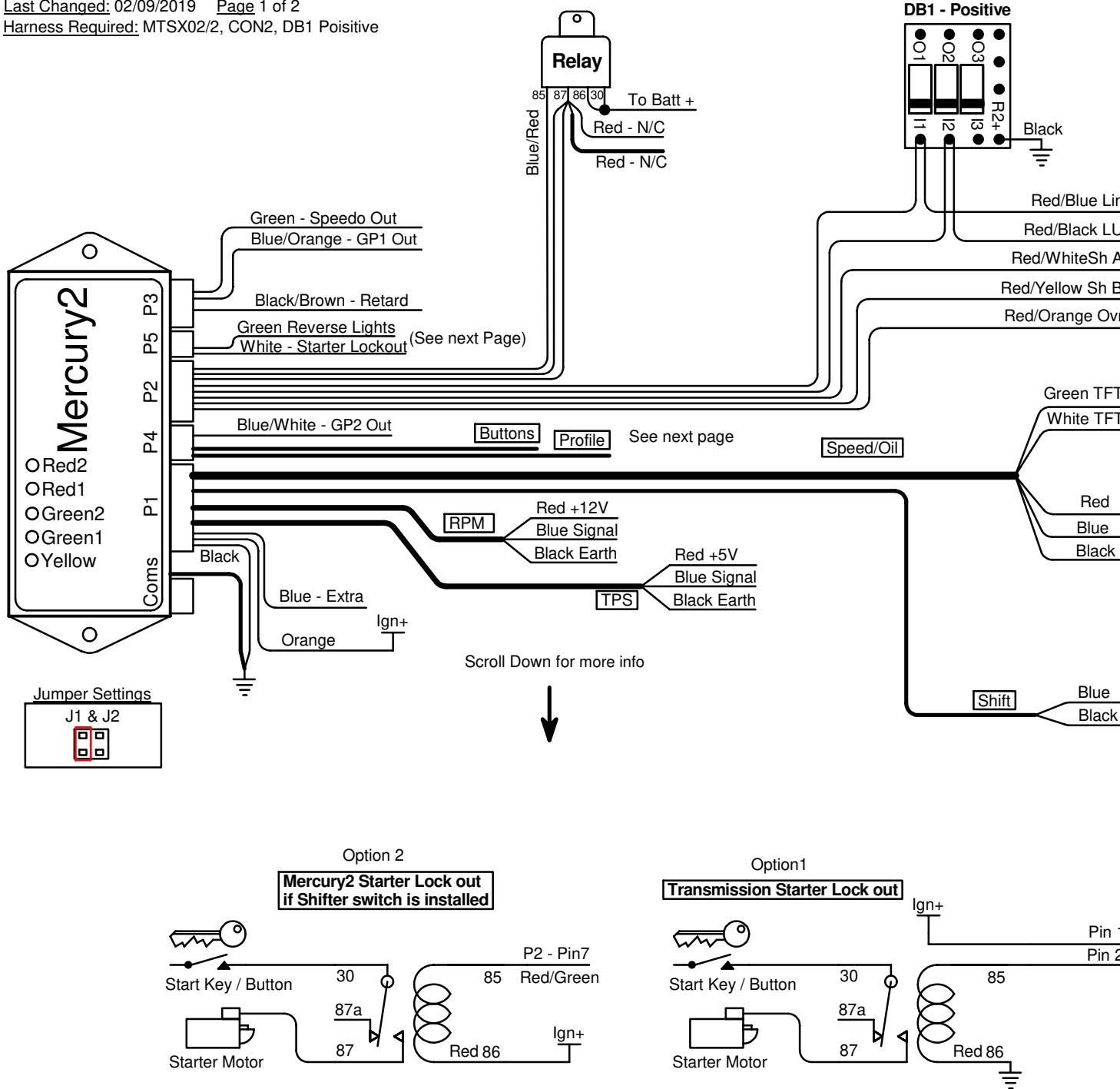


Scroll Down for more info

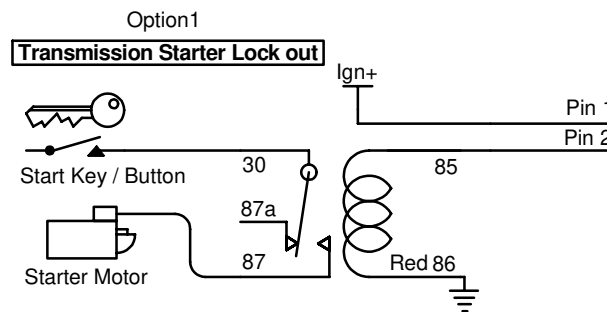
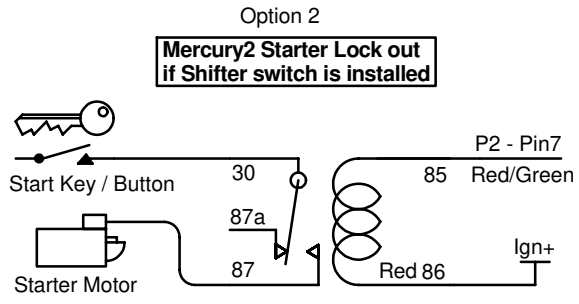


Jatco RE4R03A 4 Speed St

Last Changed: 02/09/2019 Page 1 of 2
 Harness Required: MTSX02/2, CON2, DB1 Positive



Scroll Down for more info



Transmission Connector

Harness Connector Pin View

Pin	Harness	Color	Connector	Resistance	
				Cold	Hot
1	Gearbox	Red/Yellow Sh B	P2	18	33 Ω
2	Gearbox	Red/White Sh A	P2	18	33 Ω
3	Gearbox	Red/Orange Ovr	P2	18	33 Ω
4	Gearbox	Red/Blue Lin	P2	2.3	5.5 Ω
5	Gearbox	Red/Black LU	P2	2.3	5.5 Ω
6	TFT	White	P1		
7	TFT	Green	P1		
8	N/C				

Speed Sensor

Transmission Selector Switch

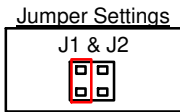
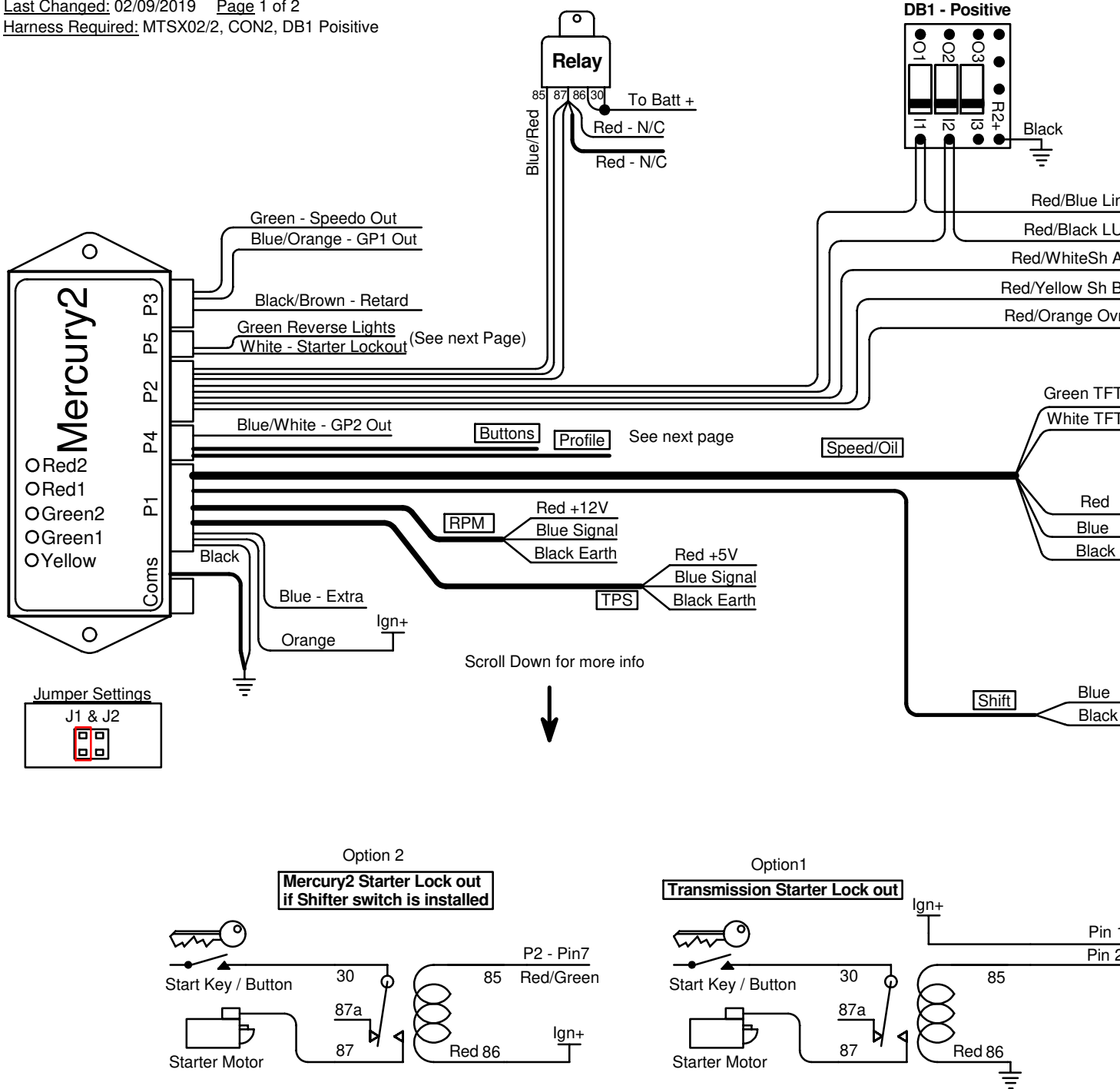
Shifter Converter Board (CON2)

- White Pin 7
- Blue Pin 8
- Green Pin 9
- Yellow Pin 6
- Brown Pin 5
- Orange Pin 4
- Black Pin 3

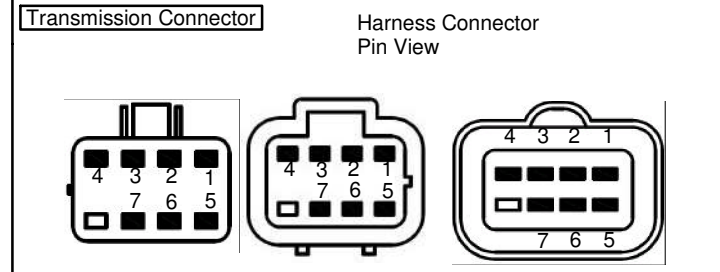
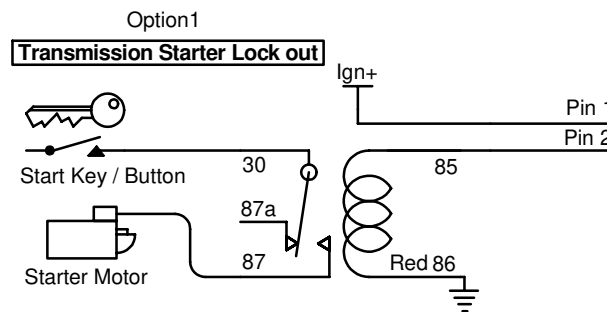
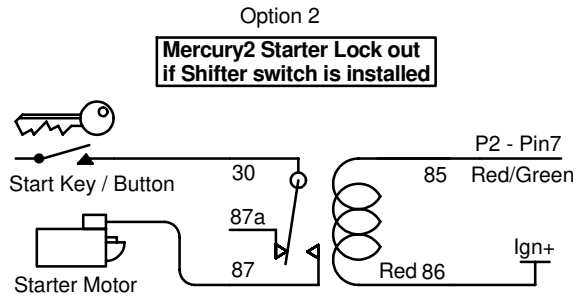
For Starter Lockout Setup go to Page 2

Jatco RE4R03A 4 Speed St

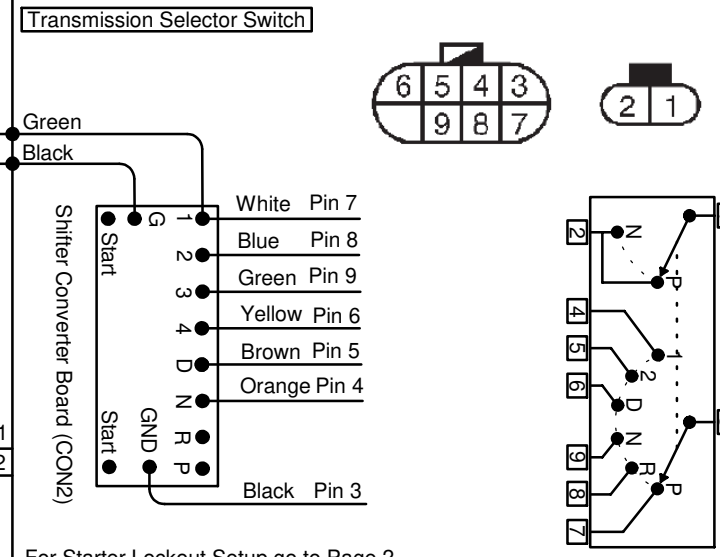
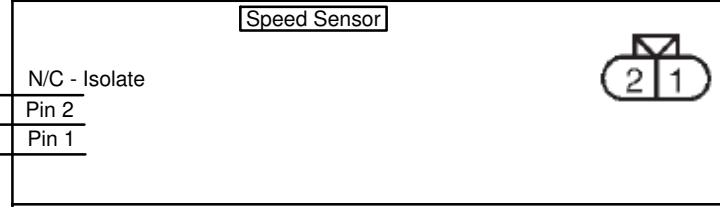
Last Changed: 02/09/2019 Page 1 of 2
 Harness Required: MTSX02/2, CON2, DB1 Positive



Scroll Down for more info



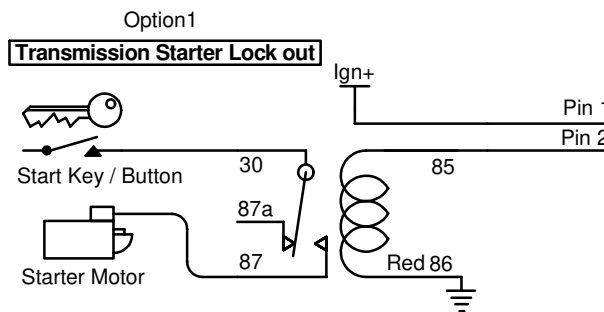
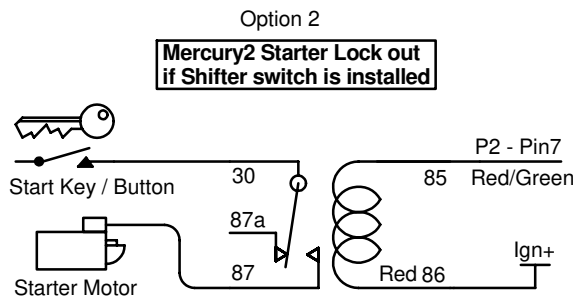
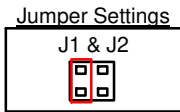
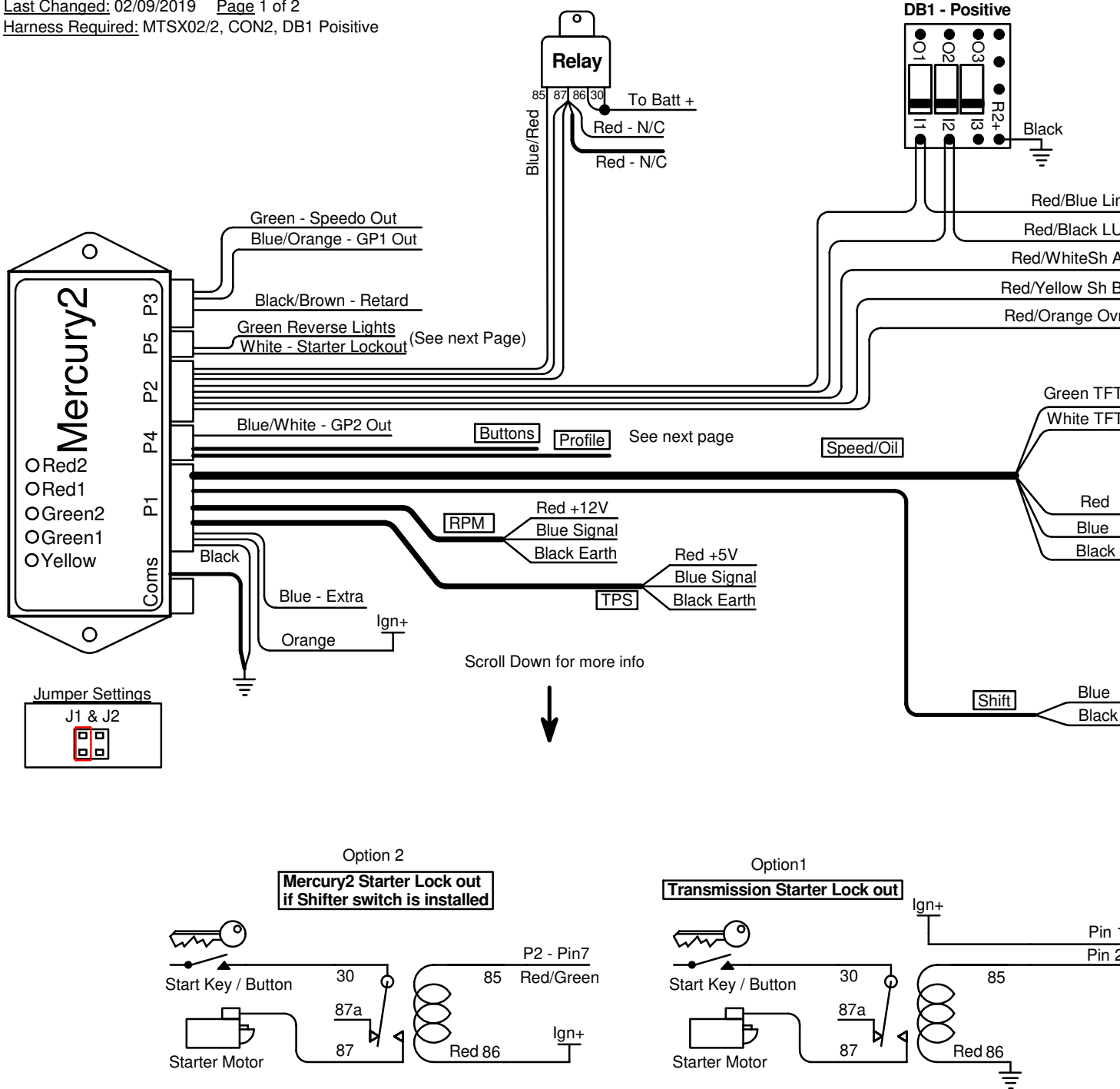
Pin	Harness	Color	Connector	Resistance	
				Cold	Hot
1	Gearbox	Red/Yellow Sh B	P2	18	33 Ω
2	Gearbox	Red/White Sh A	P2	18	33 Ω
3	Gearbox	Red/Orange Ovr	P2	18	33 Ω
4	Gearbox	Red/Blue Lin	P2	2.3	5.5 Ω
5	Gearbox	Red/Black LU	P2	2.3	5.5 Ω
6	TFT	White	P1		
7	TFT	Green	P1		
8	N/C				



For Starter Lockout Setup go to Page 2

Jatco RE4R03A 4 Speed St

Last Changed: 02/09/2019 Page 1 of 2
 Harness Required: MTSX02/2, CON2, DB1 Positive



Transmission Connector

Harness Connector Pin View

Pin	Harness	Color	Connector	Resistance	
				Cold	Hot
1	Gearbox	Red/Yellow Sh B	P2	18	33 Ω
2	Gearbox	Red/White Sh A	P2	18	33 Ω
3	Gearbox	Red/Orange Ovr	P2	18	33 Ω
4	Gearbox	Red/Blue Lin	P2	2.3	5.5 Ω
5	Gearbox	Red/Black LU	P2	2.3	5.5 Ω
6	TFT	White	P1		
7	TFT	Green	P1		
8	N/C				

Speed Sensor

Red: N/C - Isolate
 Blue: Pin 2
 Black: Pin 1

Transmission Selector Switch

Shifter Converter Board (CON2)

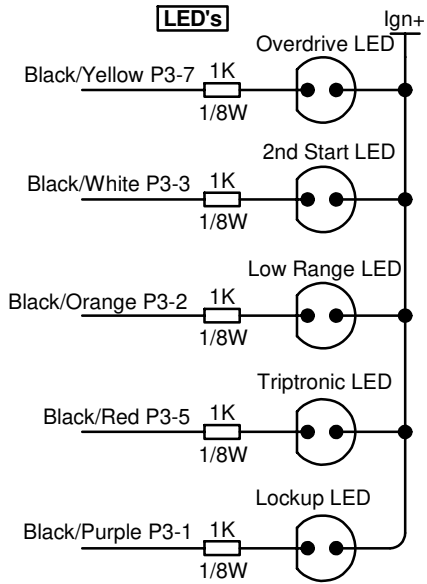
- White: Pin 7
- Blue: Pin 8
- Green: Pin 9
- Yellow: Pin 6
- Brown: Pin 5
- Orange: Pin 4
- Black: Pin 3

For Starter Lockout Setup go to Page 2

Jatco RE4R01A 4Speed St

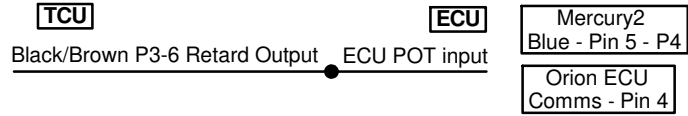
Last Changed: 21/08/2019 Page 2 of 2

Harness Required: MTSX02/2, CON2, DB1 Positive

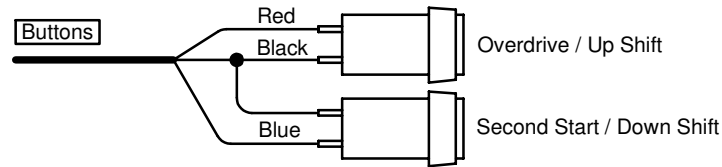


NB! Resistors are required LED's

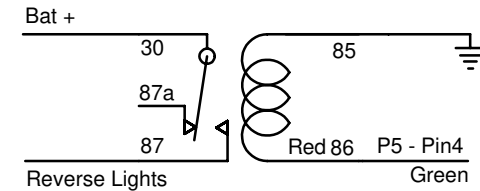
Timing Retard Circuit



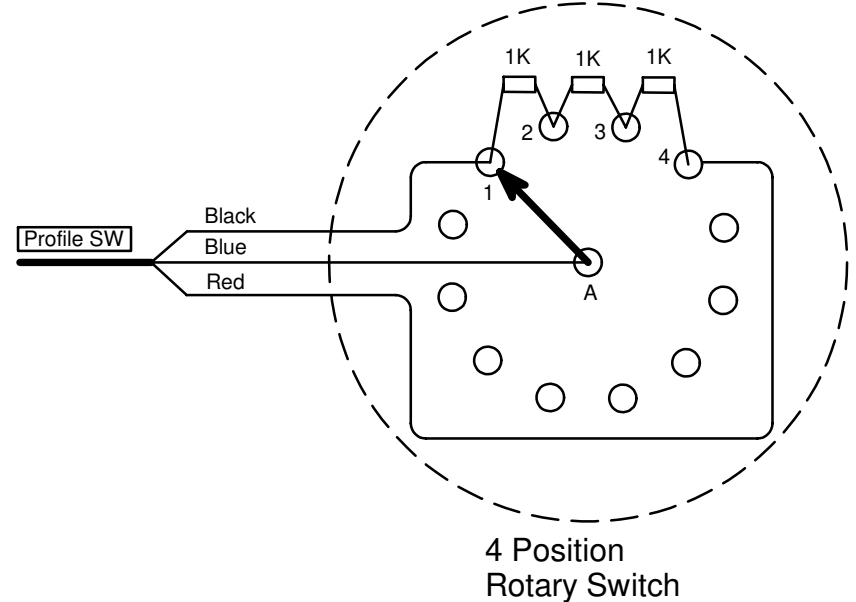
Tiptronic Buttons



Reverse light Relay



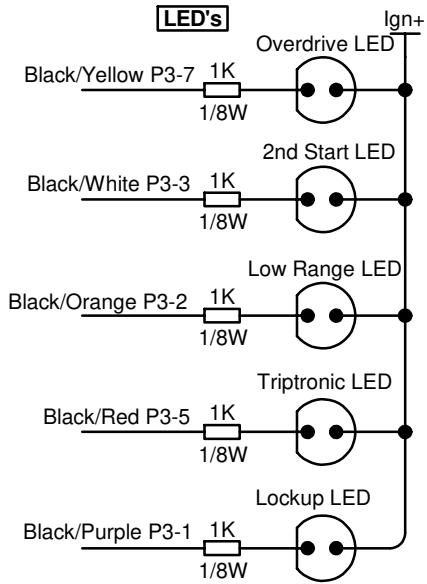
4 Map Switch



Jatco RE4R01A 4Speed St

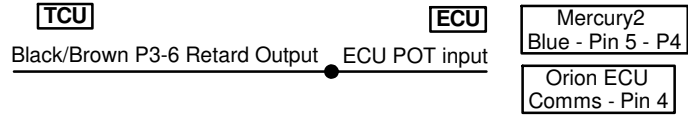
Last Changed: 21/08/2019 Page 2 of 2

Harness Required: MTSX02/2, CON2, DB1 Positive

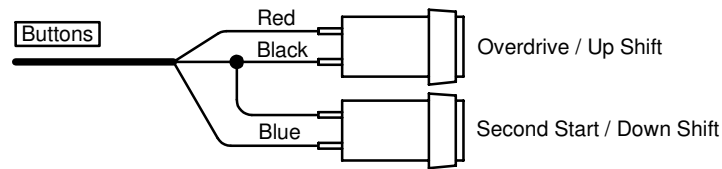


NB! Resistors are required LED's

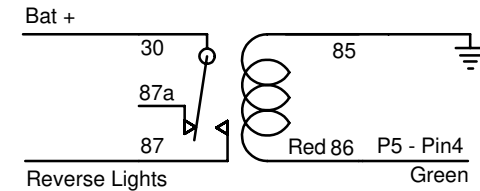
Timing Retard Circuit



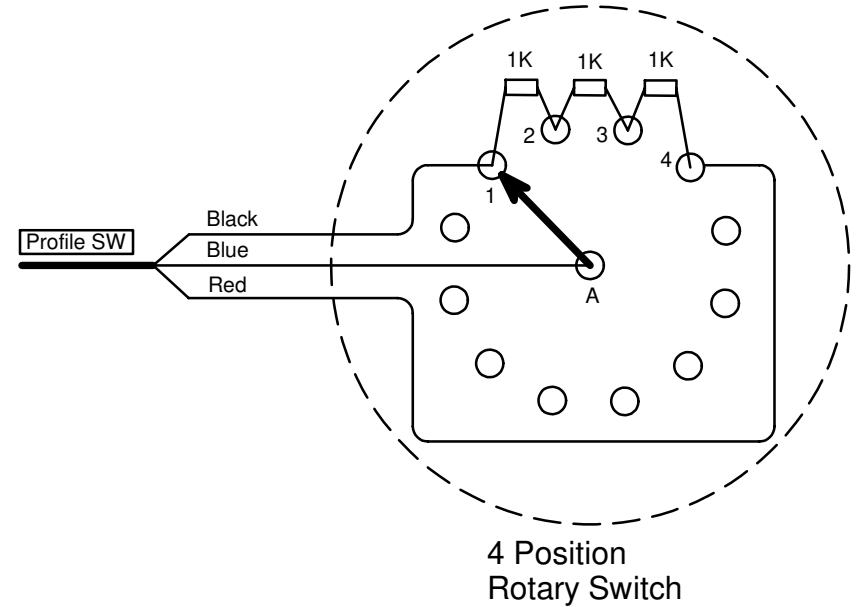
Tiptronic Buttons



Reverse light Relay



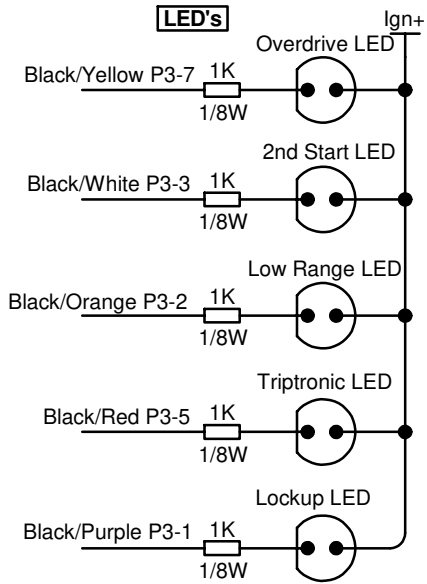
4 Map Switch



Jatco RE4R01A 4Speed St

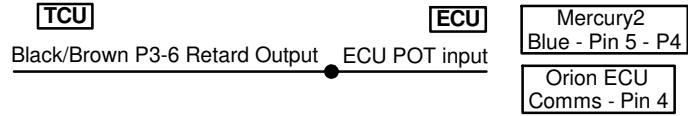
Last Changed: 21/08/2019 Page 2 of 2

Harness Required: MTSX02/2, CON2, DB1 Positive

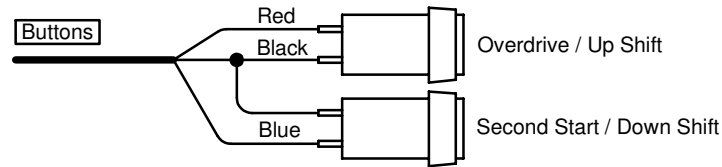


NB! Resistors are required LED's

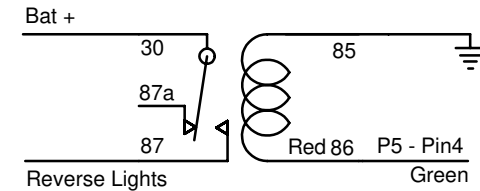
Timing Retard Circuit



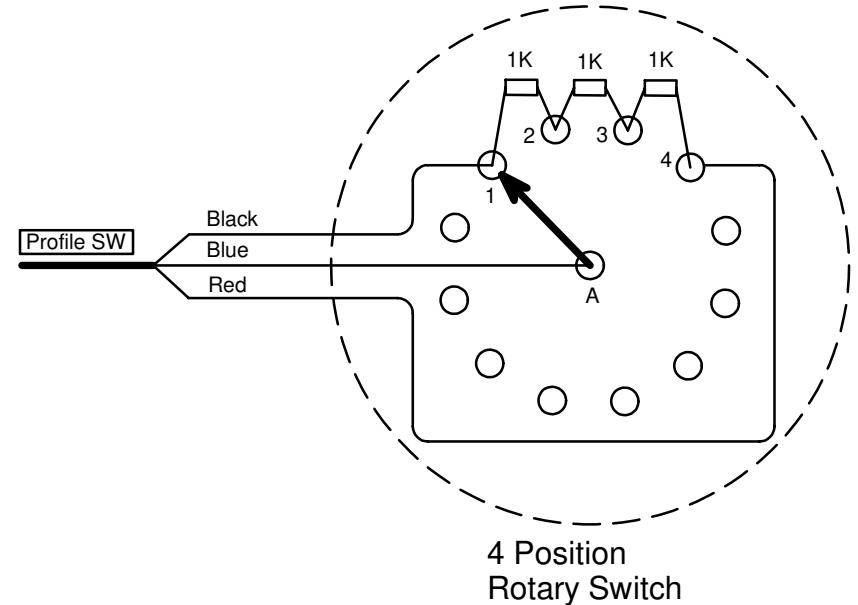
Tiptronic Buttons



Reverse light Relay



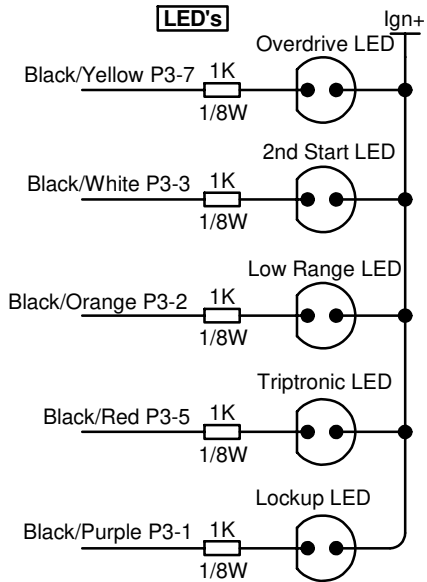
4 Map Switch



Jatco RE4R01A 4Speed St

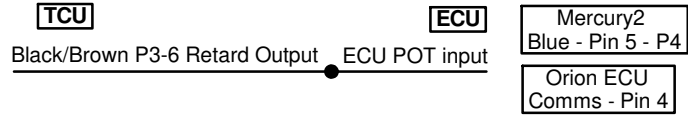
Last Changed: 21/08/2019 Page 2 of 2

Harness Required: MTSX02/2, CON2, DB1 Positive

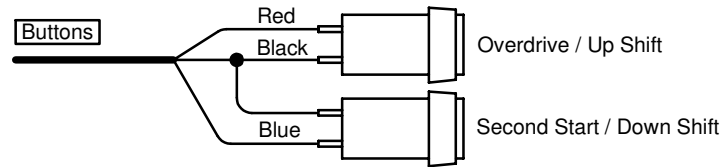


NB! Resistors are required LED's

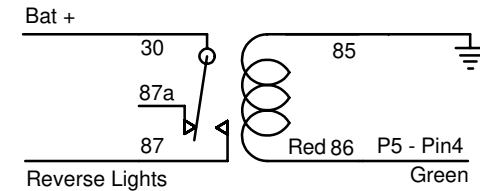
Timing Retard Circuit



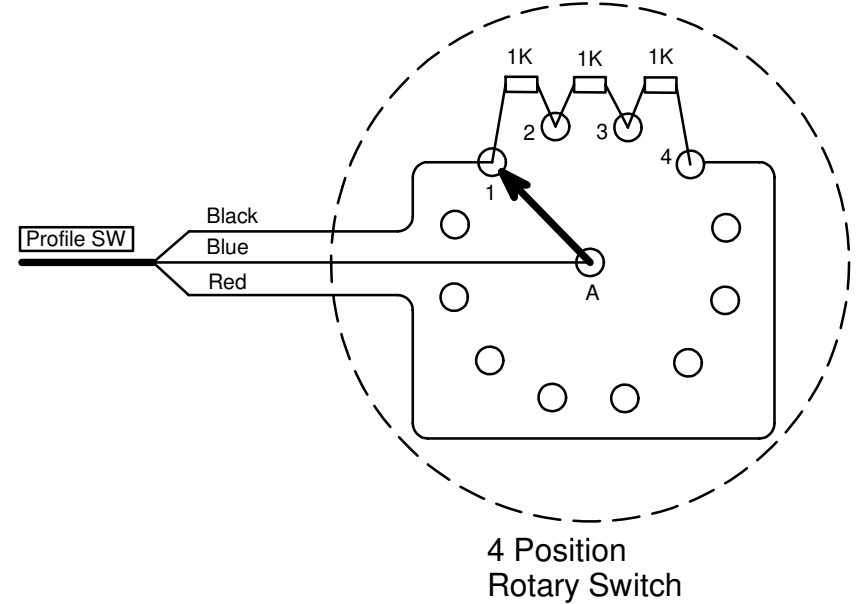
Tiptronic Buttons



Reverse light Relay



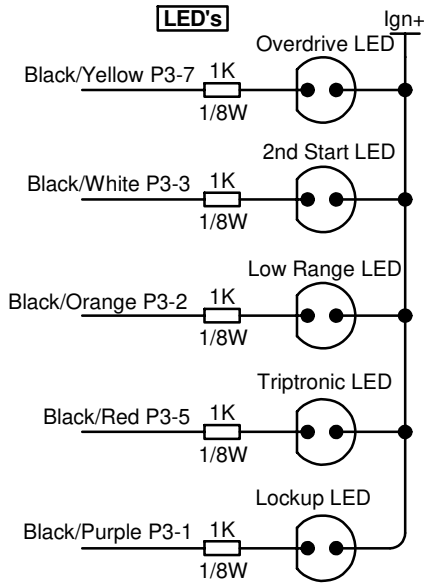
4 Map Switch



Jatco RE4R01A 4Speed St

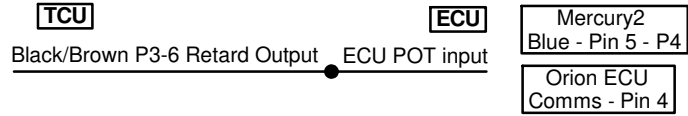
Last Changed: 21/08/2019 Page 2 of 2

Harness Required: MTSX02/2, CON2, DB1 Positive

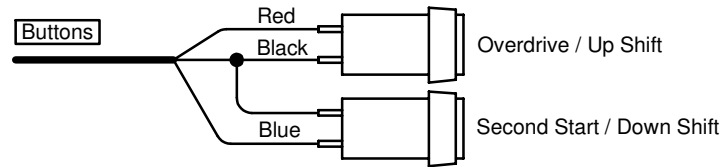


NB! Resistors are required LED's

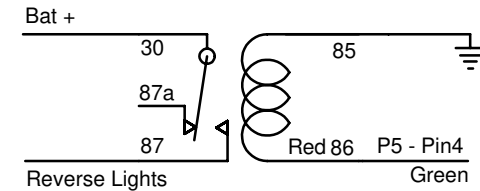
Timing Retard Circuit



Tiptronic Buttons



Reverse light Relay



4 Map Switch

