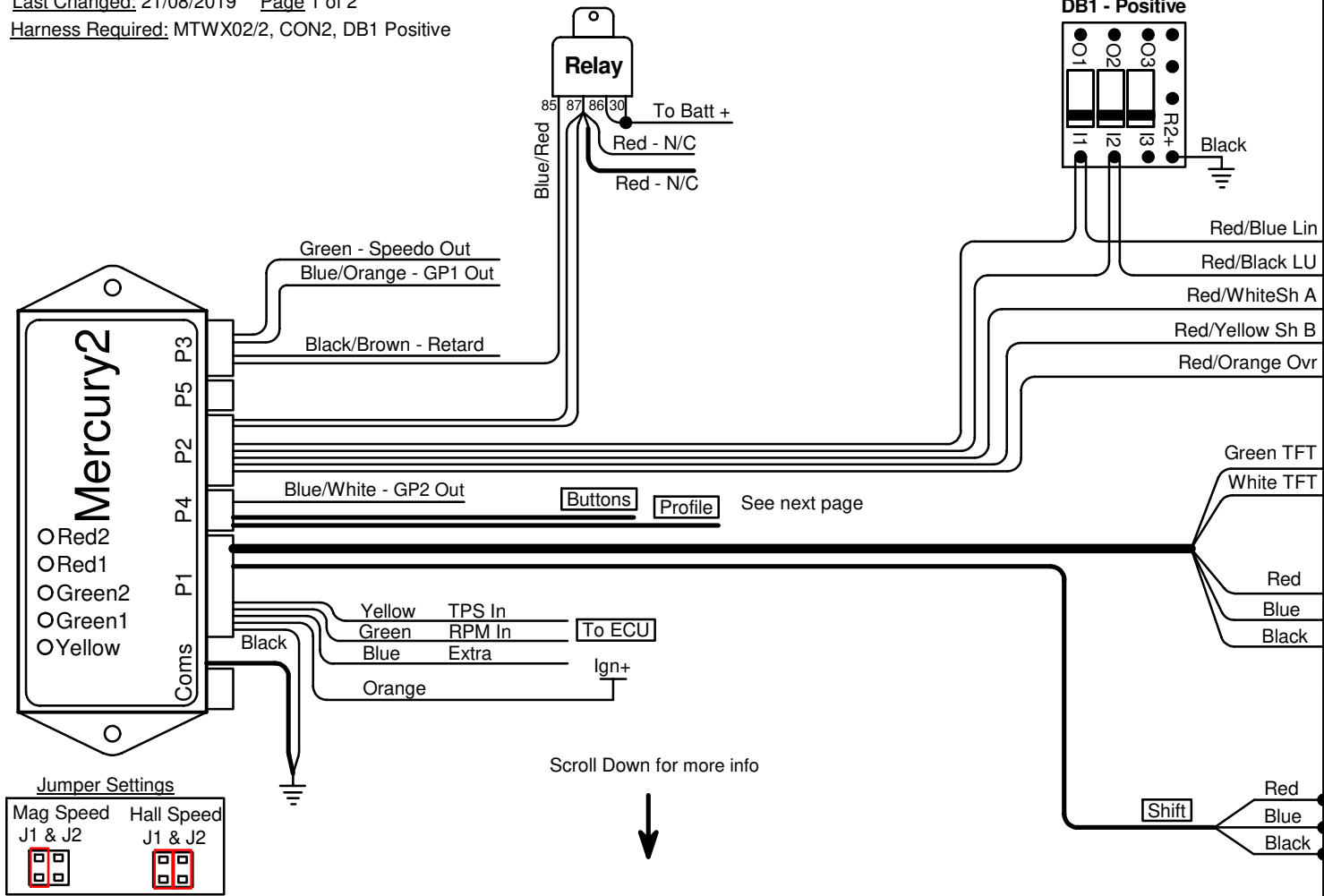


Jatco RE4 OEM 4 Speed

Last Changed: 21/08/2019 Page 1 of 2

Harness Required: MTWX02/2, CON2, DB1 Positive

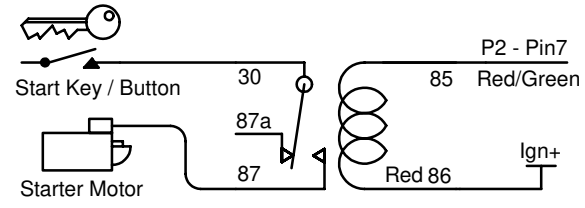


Jumper Settings

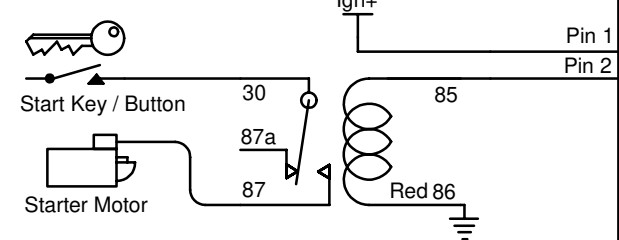
Mag Speed	Hall Speed
J1 & J2	J1 & J2

Scroll Down for more info

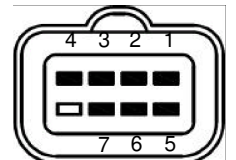
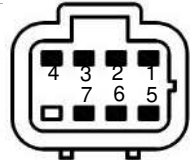
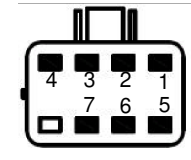
Mercury2 Starter Lock out if Shifter switch is installed



Option1 Transmission Starter Lock out



Transmission Connector



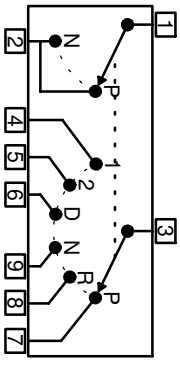
Harness Connector Pin View

Pin	Harness	Color	Connector	Resistance	
				Cold	Hot
1	Gearbox	Red/Yellow Sh B	P2	18	33 Ω
2	Gearbox	Red/White Sh A	P2	18	33 Ω
3	Gearbox	Red/Orange Ovr	P2	18	33 Ω
4	Gearbox	Red/Blue Lin	P2	2.3	5.5 Ω
5	Gearbox	Red/Black LU	P2	2.3	5.5 Ω
6	TFT	White	P1		
7	TFT	Green	P1		
8	N/C				

Speed Sensor



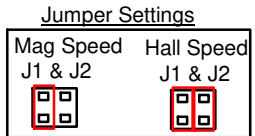
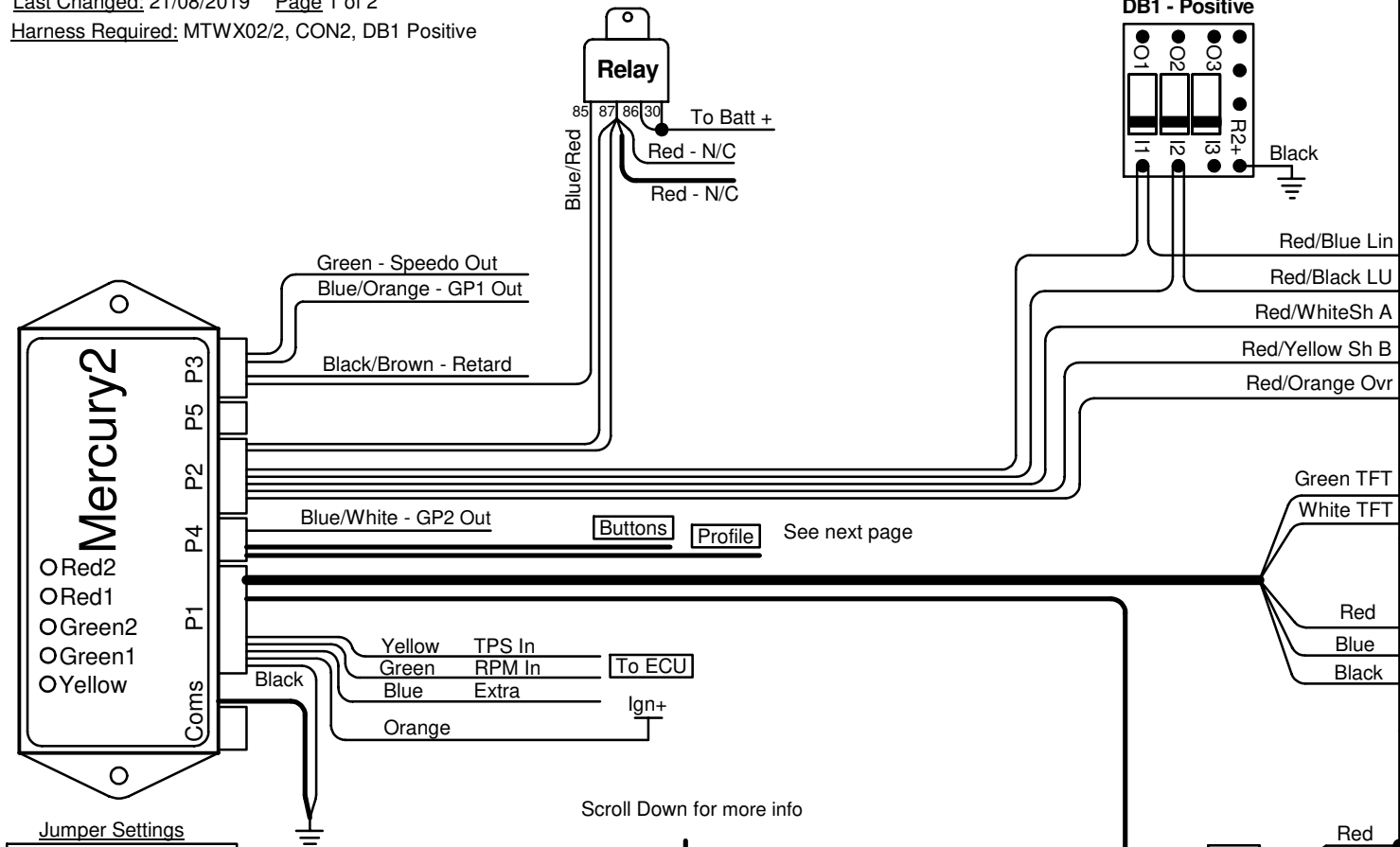
Transmission Selector Switch



Jatco RE4 OEM 4 Speed

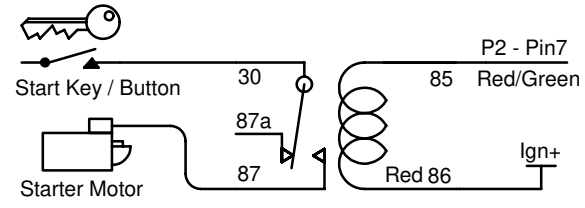
Last Changed: 21/08/2019 Page 1 of 2

Harness Required: MTWX02/2, CON2, DB1 Positive

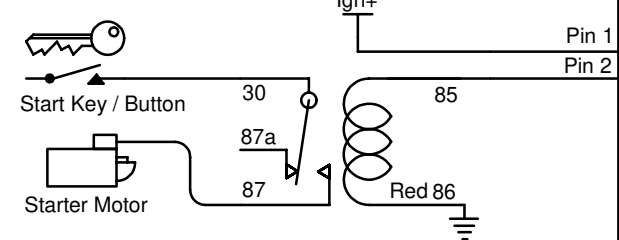


Scroll Down for more info

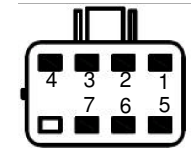
Mercury2 Starter Lock out if Shifter switch is installed



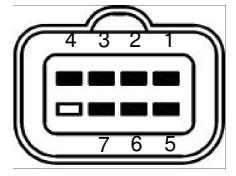
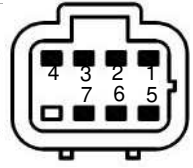
Option1 Transmission Starter Lock out



Transmission Connector



Harness Connector Pin View

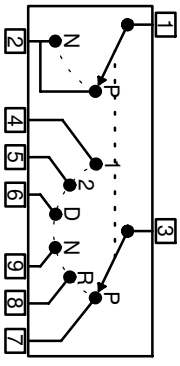


Pin	Harness	Color	Connector	Resistance	
				Cold	Hot
1	Gearbox	Red/Yellow Sh B	P2	18	33 Ω
2	Gearbox	Red/White Sh A	P2	18	33 Ω
3	Gearbox	Red/Orange Ovr	P2	18	33 Ω
4	Gearbox	Red/Blue Lin	P2	2.3	5.5 Ω
5	Gearbox	Red/Black LU	P2	2.3	5.5 Ω
6	TFT	White	P1		
7	TFT	Green	P1		
8	N/C				

Speed Sensor



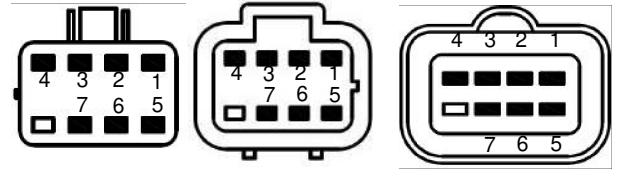
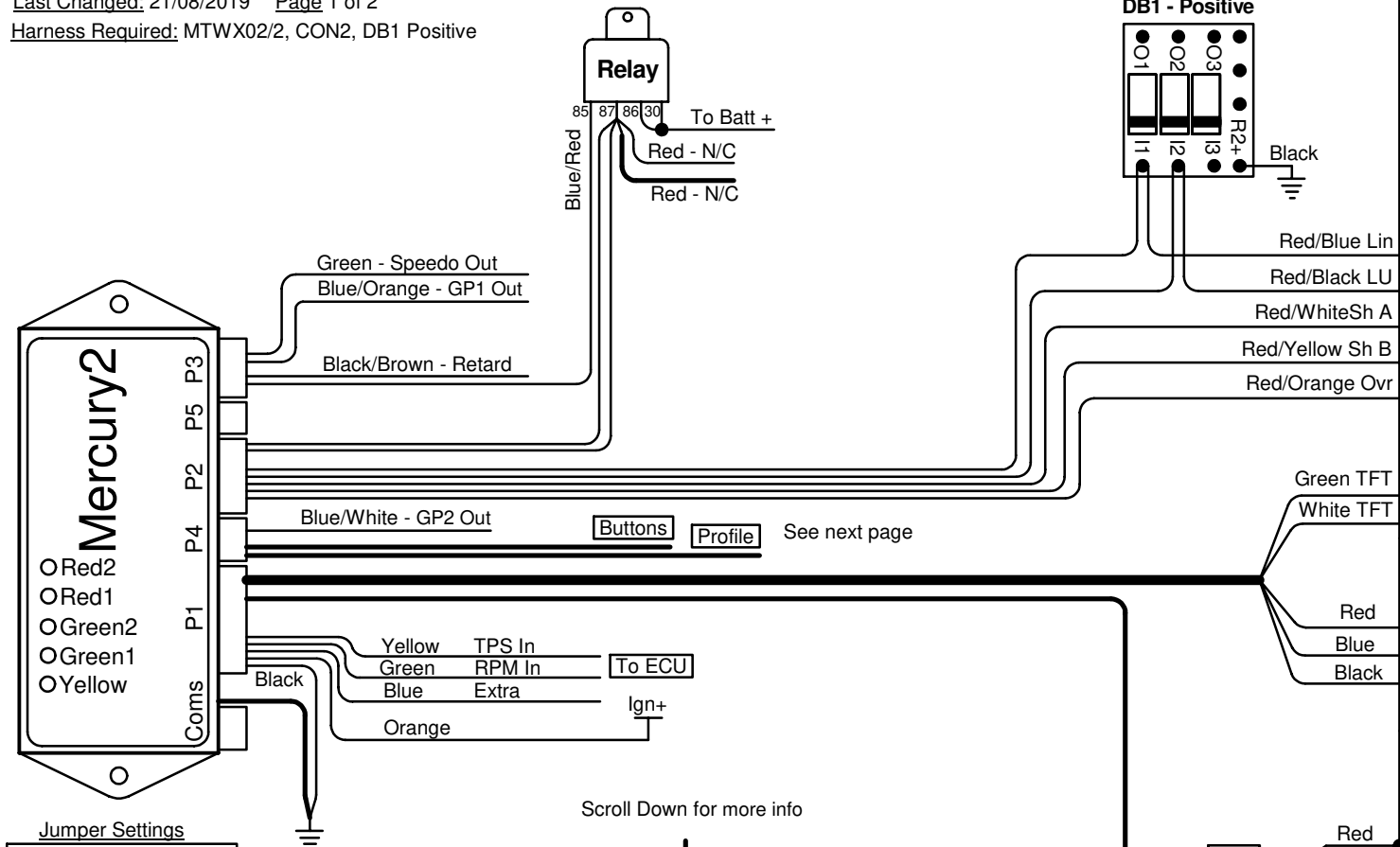
Transmission Selector Switch



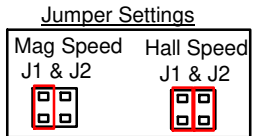
Jatco RE4 OEM 4 Speed

Last Changed: 21/08/2019 Page 1 of 2

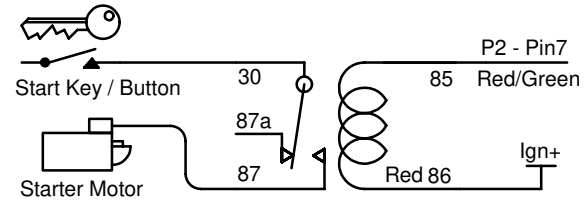
Harness Required: MTWX02/2, CON2, DB1 Positive



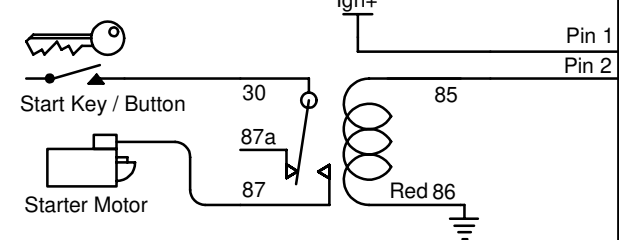
Pin	Harness	Color	Connector	Resistance	
				Cold	Hot
1	Gearbox	Red/Yellow Sh B	P2	18	33 Ω
2	Gearbox	Red/White Sh A	P2	18	33 Ω
3	Gearbox	Red/Orange Ovr	P2	18	33 Ω
4	Gearbox	Red/Blue Lin	P2	2.3	5.5 Ω
5	Gearbox	Red/Black LU	P2	2.3	5.5 Ω
6	TFT	White	P1		
7	TFT	Green	P1		
8	N/C				



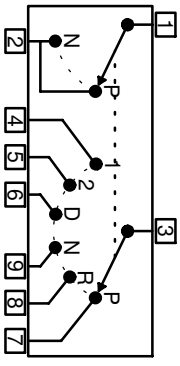
Mercury2 Starter Lock out if Shifter switch is installed



Option1 Transmission Starter Lock out



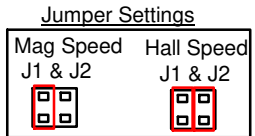
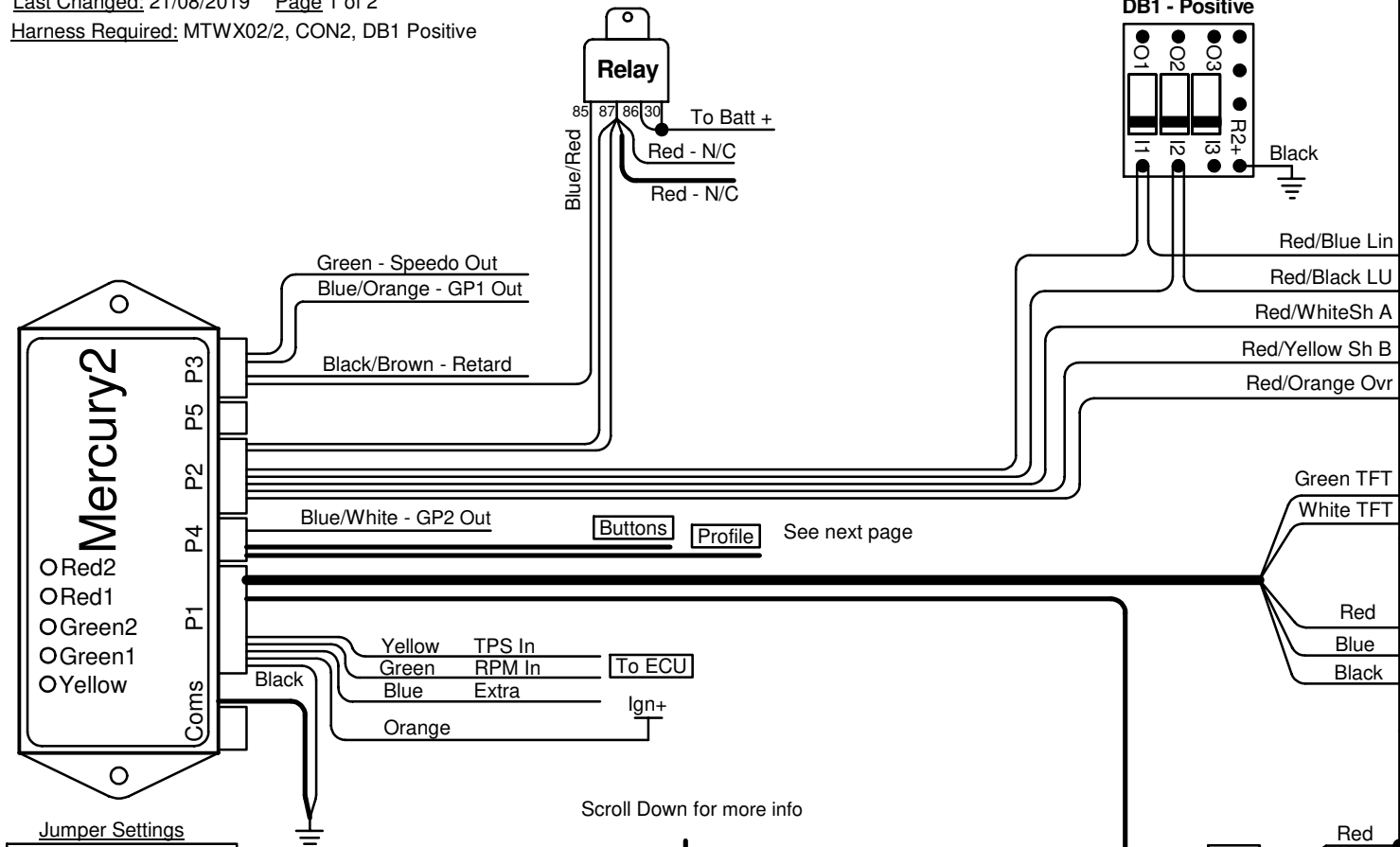
Transmission Selector Switch



Jatco RE4 OEM 4 Speed

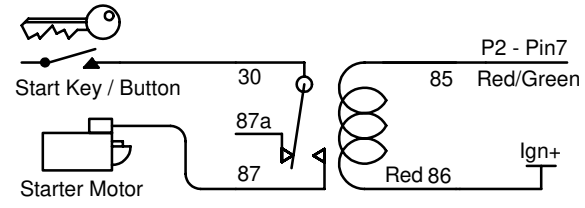
Last Changed: 21/08/2019 Page 1 of 2

Harness Required: MTWX02/2, CON2, DB1 Positive

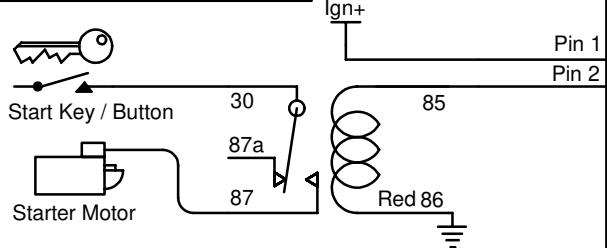


Scroll Down for more info

Mercury2 Starter Lock out if Shifter switch is installed

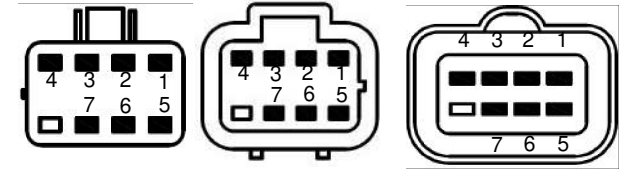


Option1 Transmission Starter Lock out



Transmission Connector

Harness Connector Pin View



Pin	Harness	Color	Connector	Resistance	
				Cold	Hot
1	Gearbox	Red/Yellow Sh B	P2	18	33 Ω
2	Gearbox	Red/White Sh A	P2	18	33 Ω
3	Gearbox	Red/Orange Ovr	P2	18	33 Ω
4	Gearbox	Red/Blue Lin	P2	2.3	5.5 Ω
5	Gearbox	Red/Black LU	P2	2.3	5.5 Ω
6	TFT	White	P1		
7	TFT	Green	P1		
8	N/C				

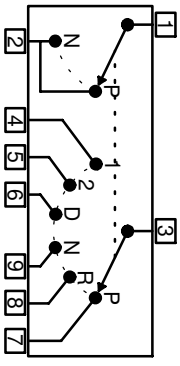
Speed Sensor



Transmission Selector Switch



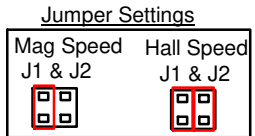
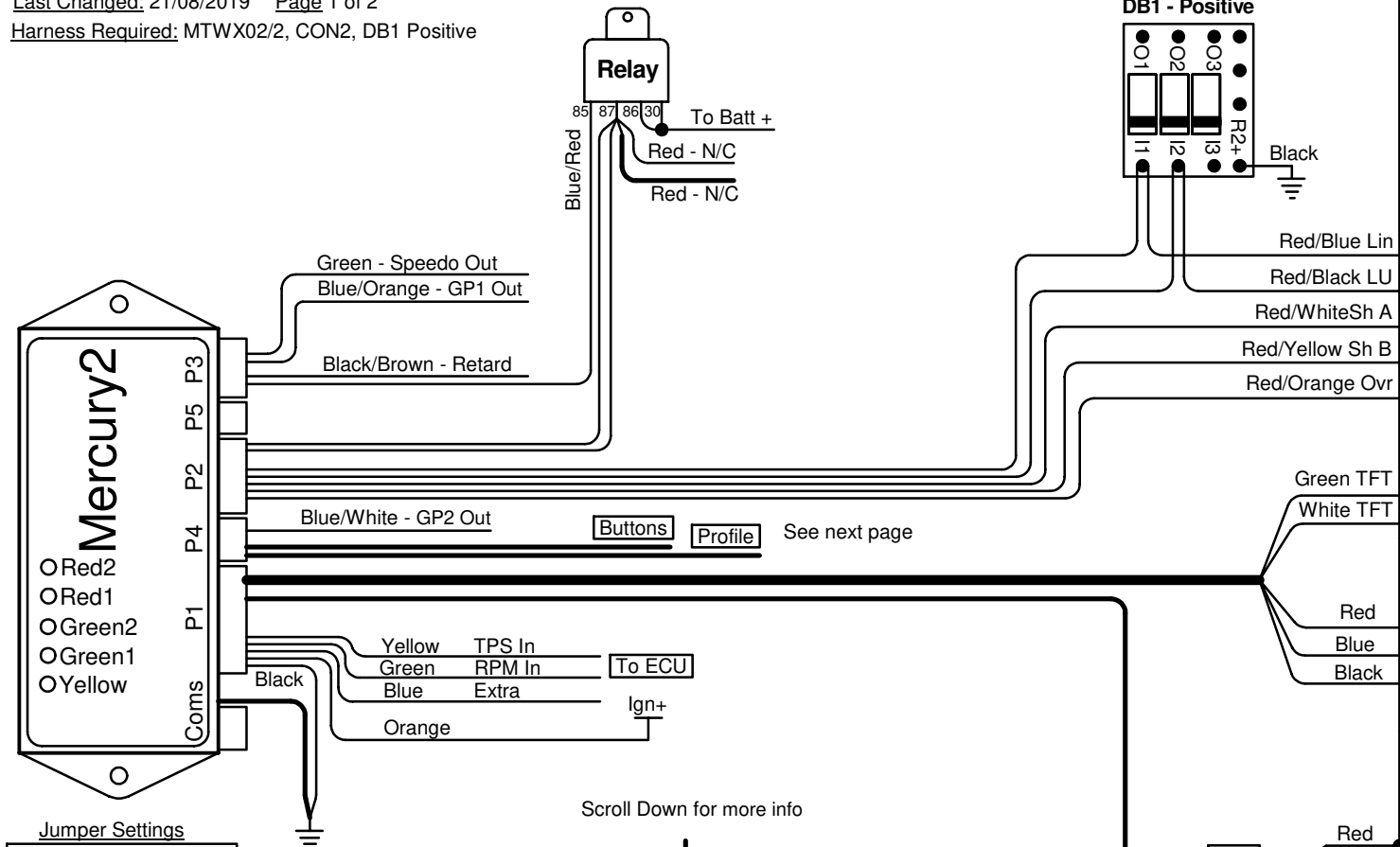
See next page



Jatco RE4 OEM 4 Speed

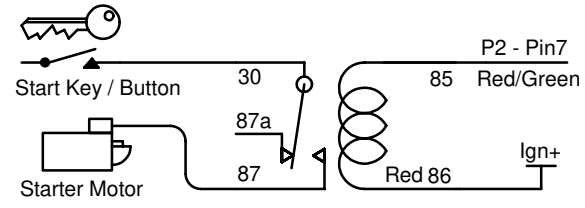
Last Changed: 21/08/2019 Page 1 of 2

Harness Required: MTWX02/2, CON2, DB1 Positive

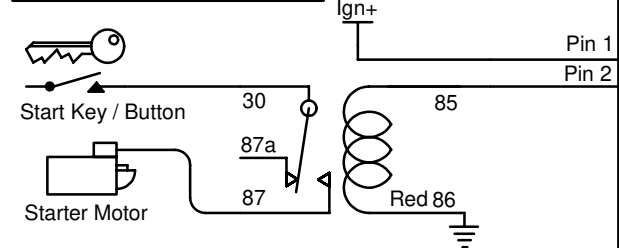


Scroll Down for more info

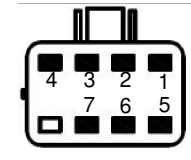
Mercury2 Starter Lock out if Shifter switch is installed



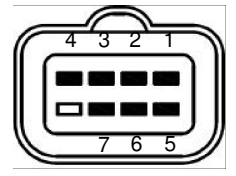
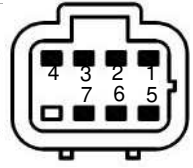
Option1 Transmission Starter Lock out



Transmission Connector



Harness Connector Pin View



Pin	Harness	Color	Connector	Resistance	
				Cold	Hot
1	Gearbox	Red/Yellow Sh B	P2	18	33 Ω
2	Gearbox	Red/White Sh A	P2	18	33 Ω
3	Gearbox	Red/Orange Ovr	P2	18	33 Ω
4	Gearbox	Red/Blue Lin	P2	2.3	5.5 Ω
5	Gearbox	Red/Black LU	P2	2.3	5.5 Ω
6	TFT	White	P1		
7	TFT	Green	P1		
8	N/C				

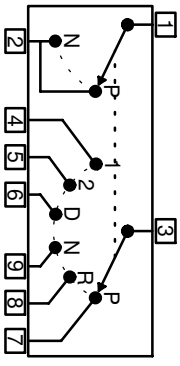
Speed Sensor



Transmission Selector Switch



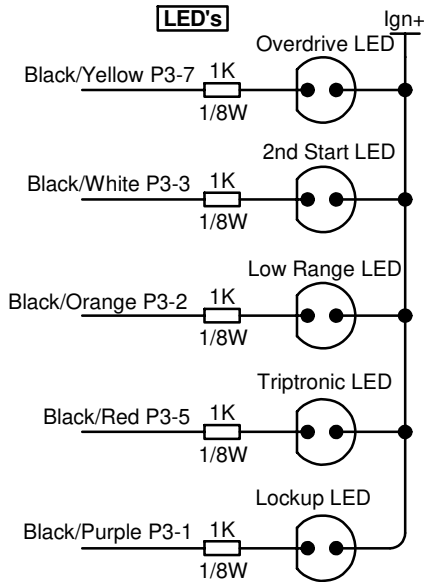
See next page



Jatco RE4 OEM 4 Speed

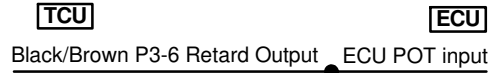
Last Changed: 21/08/2019 Page 2 of 2

Harness Required: MTWX02/2, CON2, DB1 Positive



NB! Resistors are required LED's

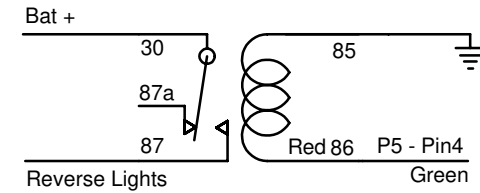
Timing Retard Circuit



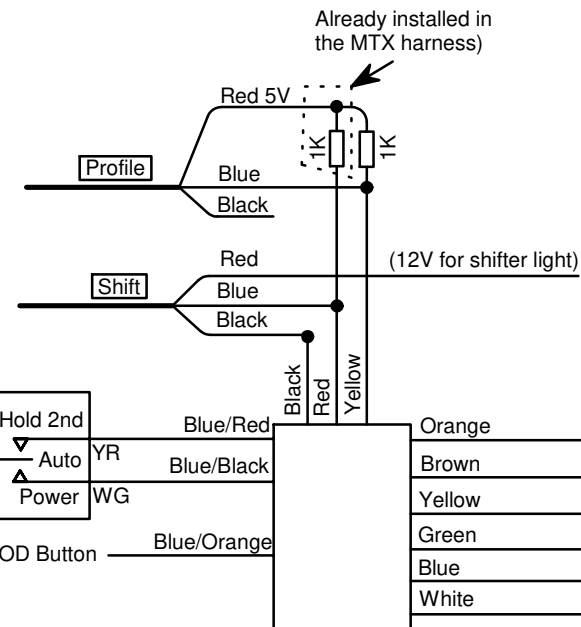
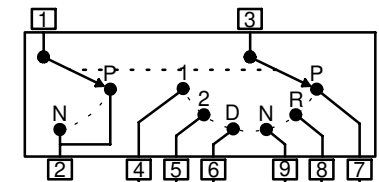
Mercury2
Blue - Pin 5 - P4

Orion ECU
Comms - Pin 4

Reverse light Relay



Transmission Selector Switch

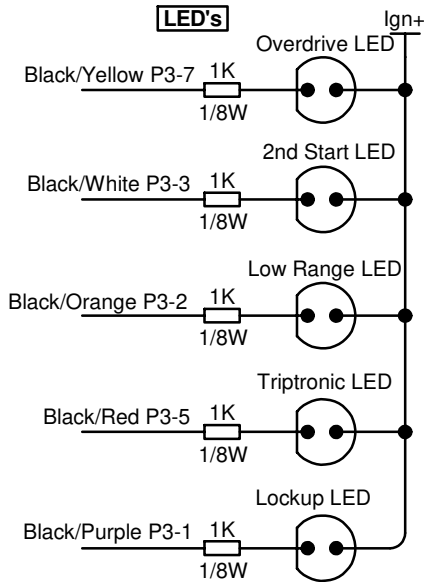


Spitronics Level Shift Board

Jatco RE4 OEM 4 Speed

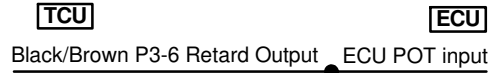
Last Changed: 21/08/2019 Page 2 of 2

Harness Required: MTWX02/2, CON2, DB1 Positive



NB! Resistors are required LED's

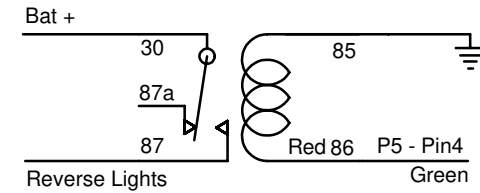
Timing Retard Circuit



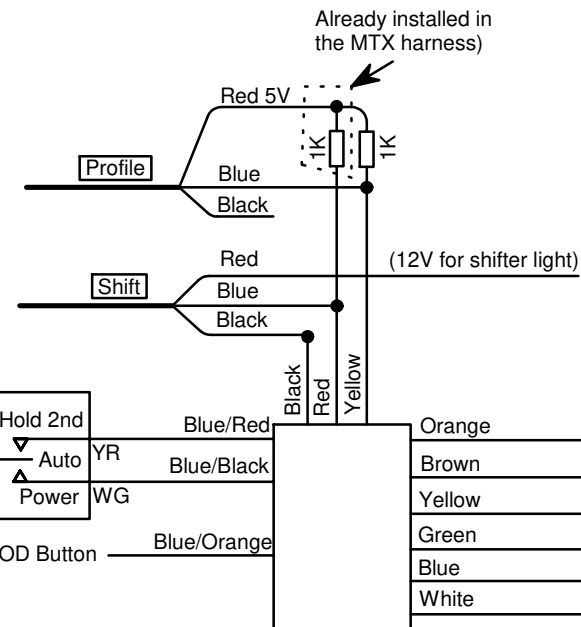
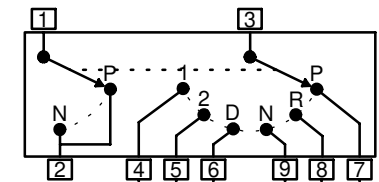
Mercury2
Blue - Pin 5 - P4

Orion ECU
Comms - Pin 4

Reverse light Relay

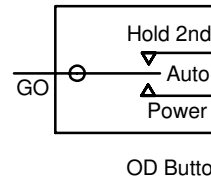


Transmission Selector Switch



Spitronics Level Shift Board

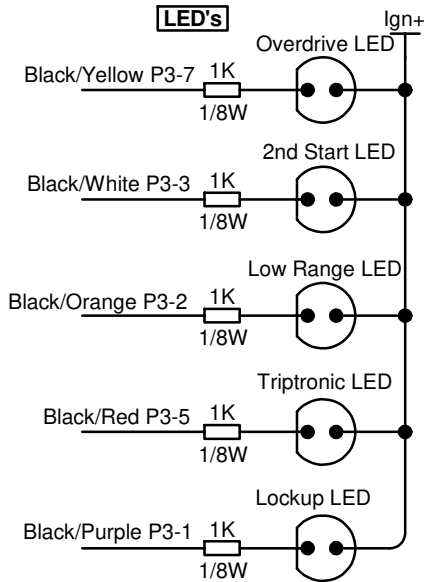
OEM Selection switches



Jatco RE4 OEM 4 Speed

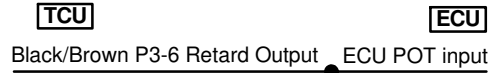
Last Changed: 21/08/2019 Page 2 of 2

Harness Required: MTWX02/2, CON2, DB1 Positive



NB! Resistors are required LED's

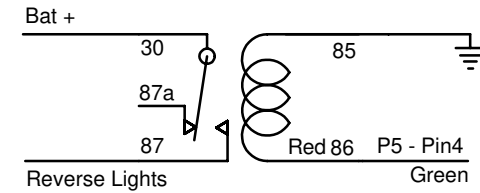
Timing Retard Circuit



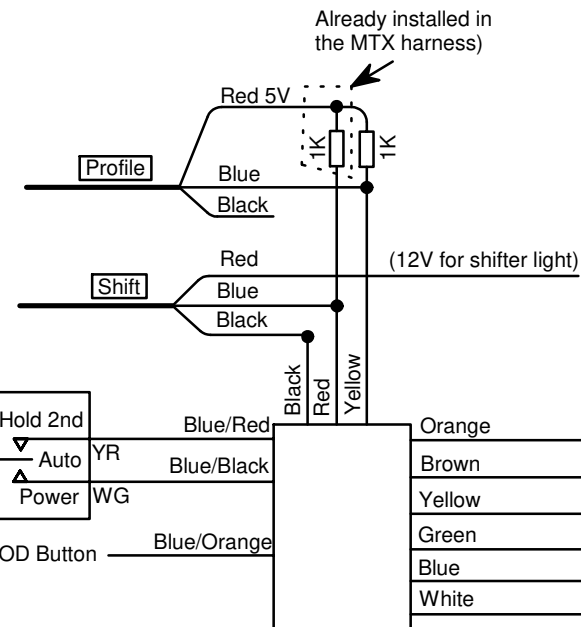
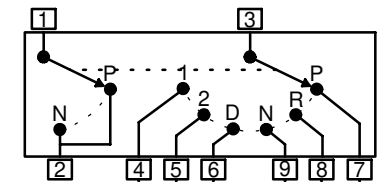
Mercury2
Blue - Pin 5 - P4

Orion ECU
Comms - Pin 4

Reverse light Relay



Transmission Selector Switch

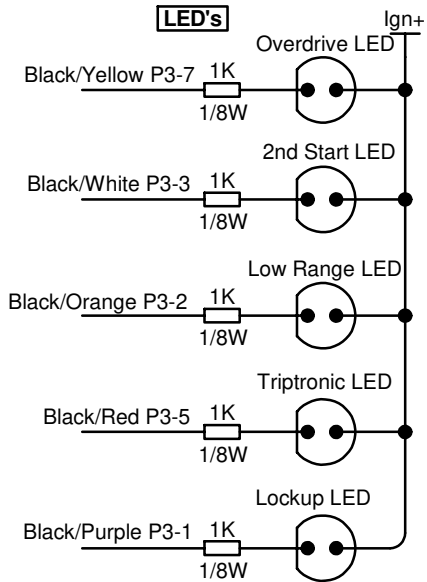


Spitronics Level Shift Board

Jatco RE4 OEM 4 Speed

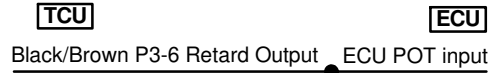
Last Changed: 21/08/2019 Page 2 of 2

Harness Required: MTWX02/2, CON2, DB1 Positive



NB! Resistors are required LED's

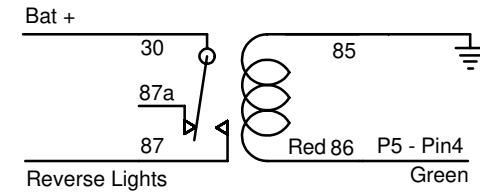
Timing Retard Circuit



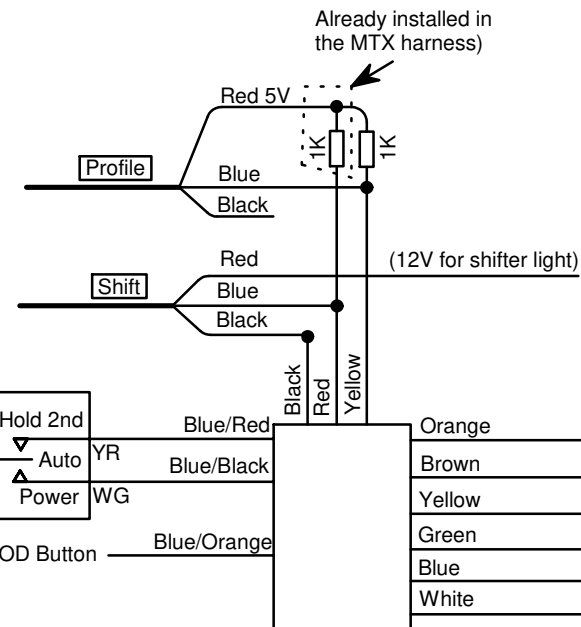
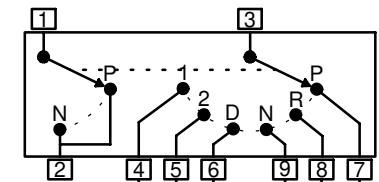
Mercury2
Blue - Pin 5 - P4

Orion ECU
Comms - Pin 4

Reverse light Relay



Transmission Selector Switch

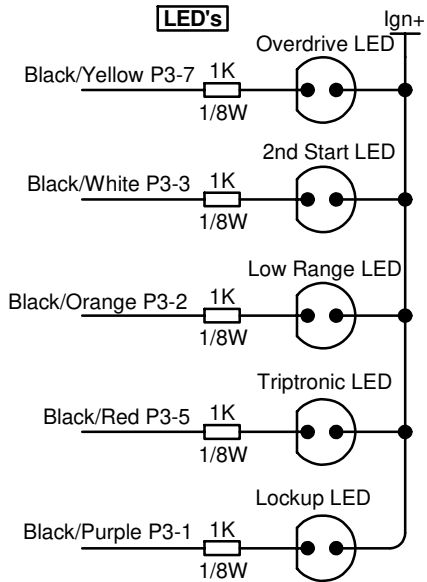


Spitronics Level Shift Board

Jatco RE4 OEM 4 Speed

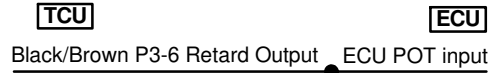
Last Changed: 21/08/2019 Page 2 of 2

Harness Required: MTWX02/2, CON2, DB1 Positive



NB! Resistors are required LED's

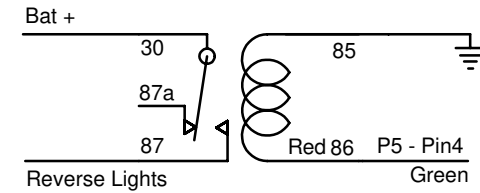
Timing Retard Circuit



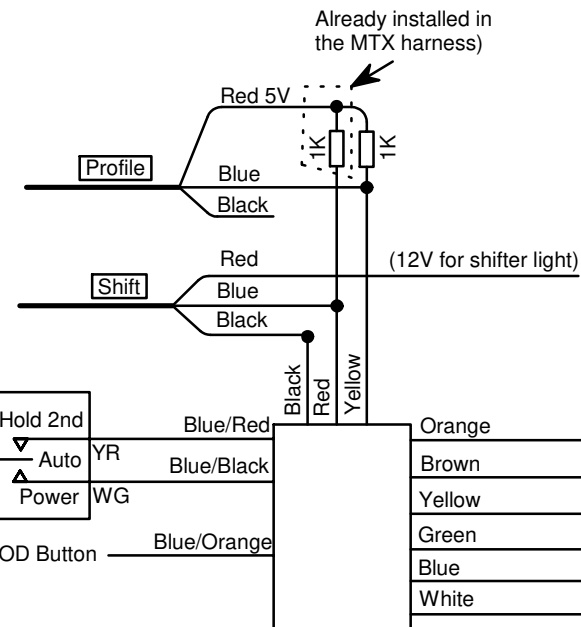
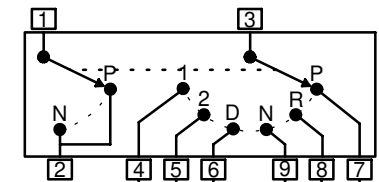
Mercury2
Blue - Pin 5 - P4

Orion ECU
Comms - Pin 4

Reverse light Relay



Transmission Selector Switch



Spitronics Level Shift Board