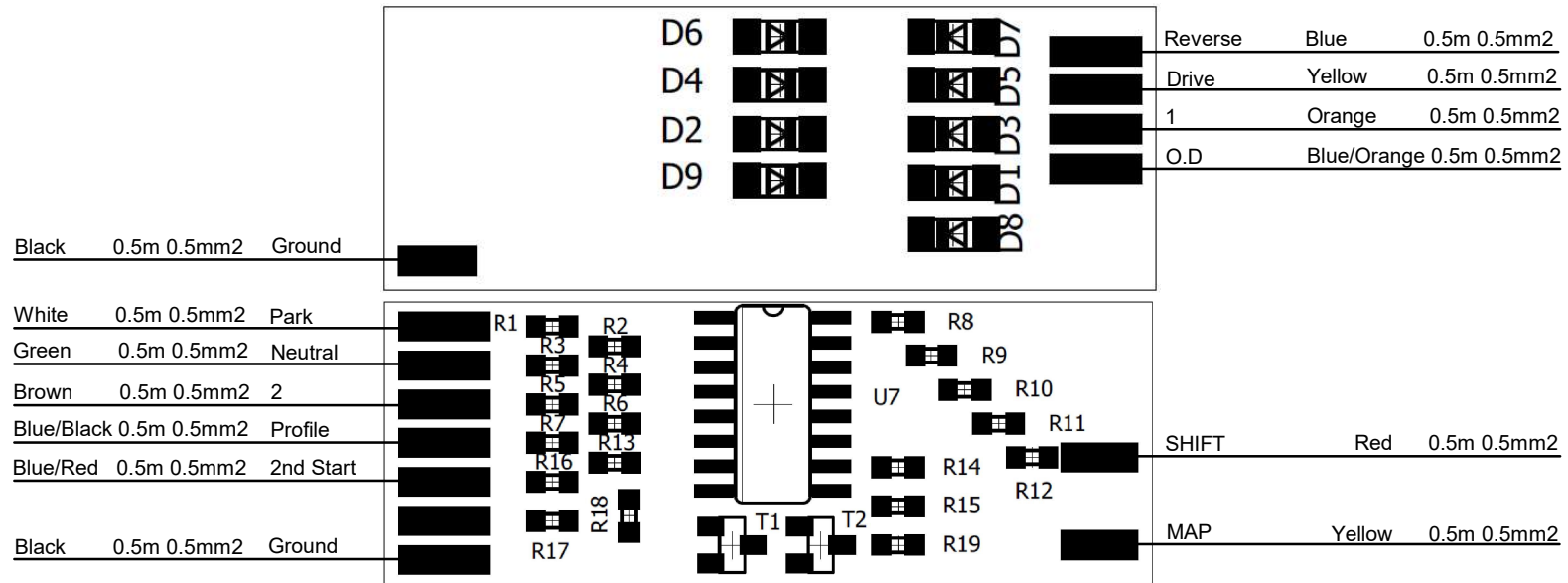


ULN1A Wiring

File Name: ULN1A

Last Changed: 11/07/2017



↓
Page Down or scroll
down for schematic

