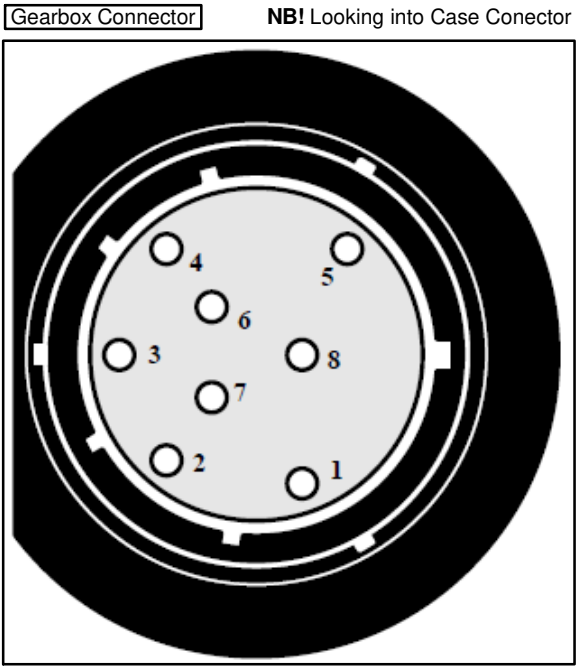
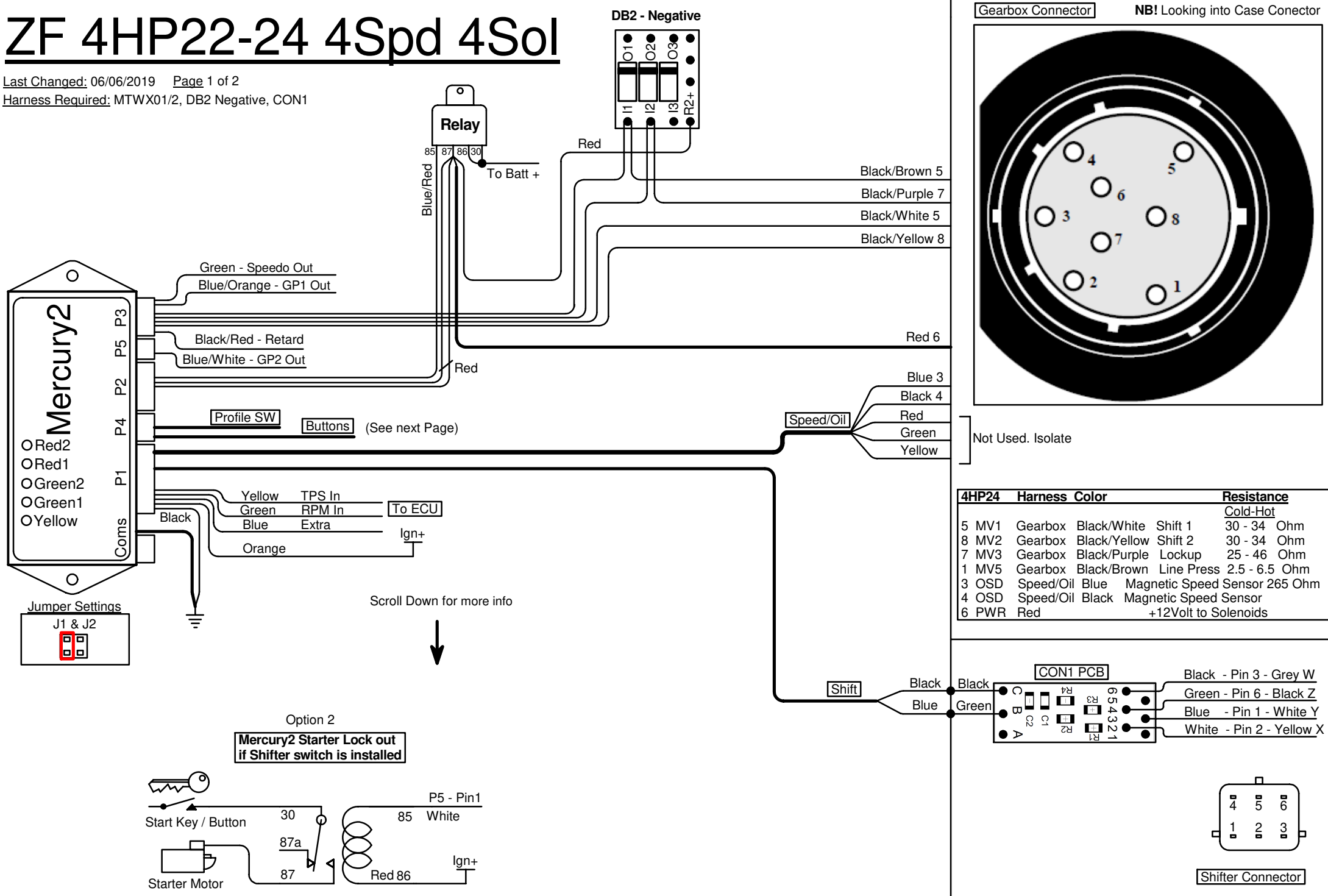
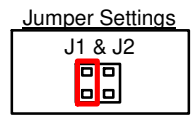
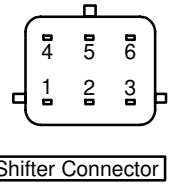
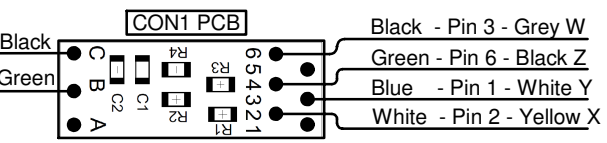


# ZF 4HP22-24 4Spd 4Sol

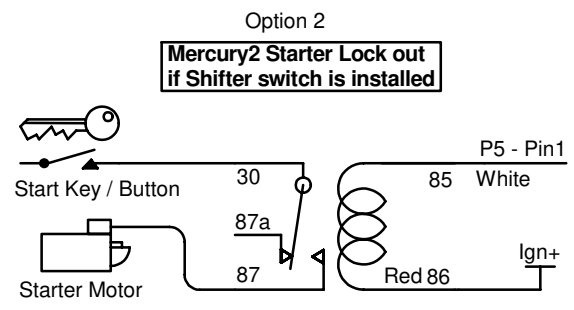
Last Changed: 06/06/2019 Page 1 of 2  
 Harness Required: MTWX01/2, DB2 Negative, CON1



4HP24	Harness Color	Resistance
		Cold-Hot
5 MV1	Gearbox Black/White Shift 1	30 - 34 Ohm
8 MV2	Gearbox Black/Yellow Shift 2	30 - 34 Ohm
7 MV3	Gearbox Black/Purple Lockup	25 - 46 Ohm
1 MV5	Gearbox Black/Brown Line Press	2.5 - 6.5 Ohm
3 OSD	Speed/Oil Blue Magnetic Speed Sensor	265 Ohm
4 OSD	Speed/Oil Black Magnetic Speed Sensor	
6 PWR	Red +12Volt to Solenoids	



Scroll Down for more info

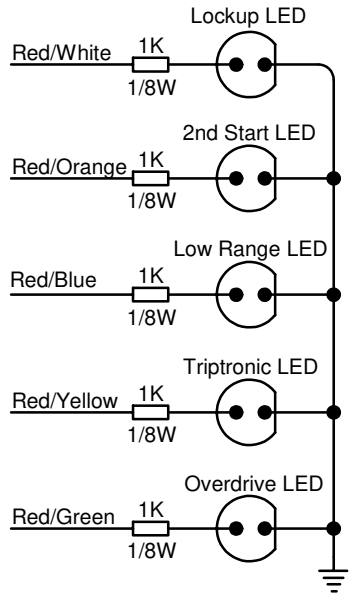


# ZF 4HP22-24 4Speed

Last Changed: 06/04/2019 Page 2 of 2

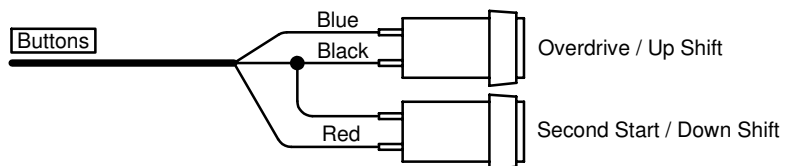
Harness Required: MTWX01/2, DB2 Negative, CON1

## LED's



NB! Resistors are only for when wiring 3V LED's

## Tiptronic Buttons



## Timing Retard Circuit

TCU

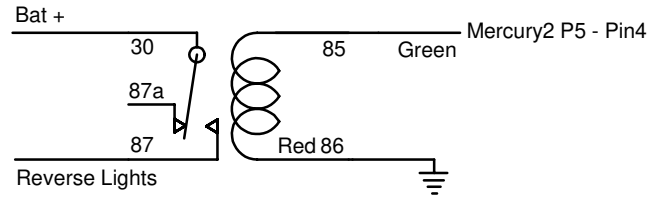
ECU

P3 - Pin 5 Black/Red - Retart Output

ECU POT input

Mercury2  
Blue - Pin 5 - P4  
Orion ECU  
Comms - Pin 4

## Reverse light Relay



## 4 Map Switch

