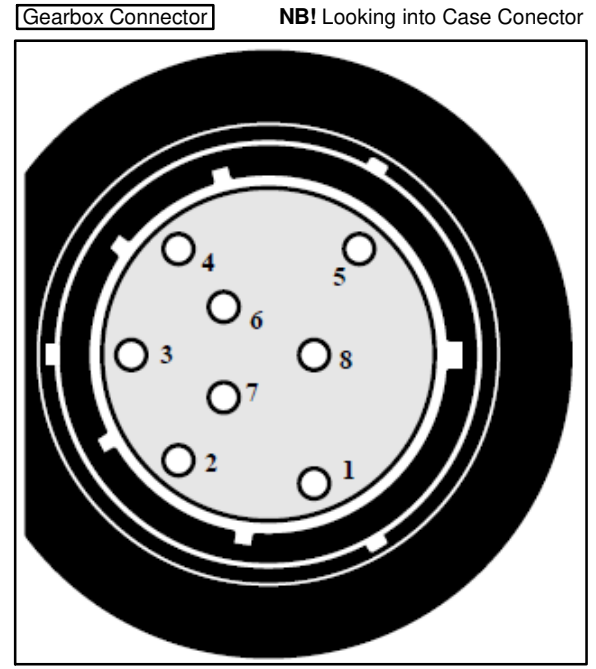
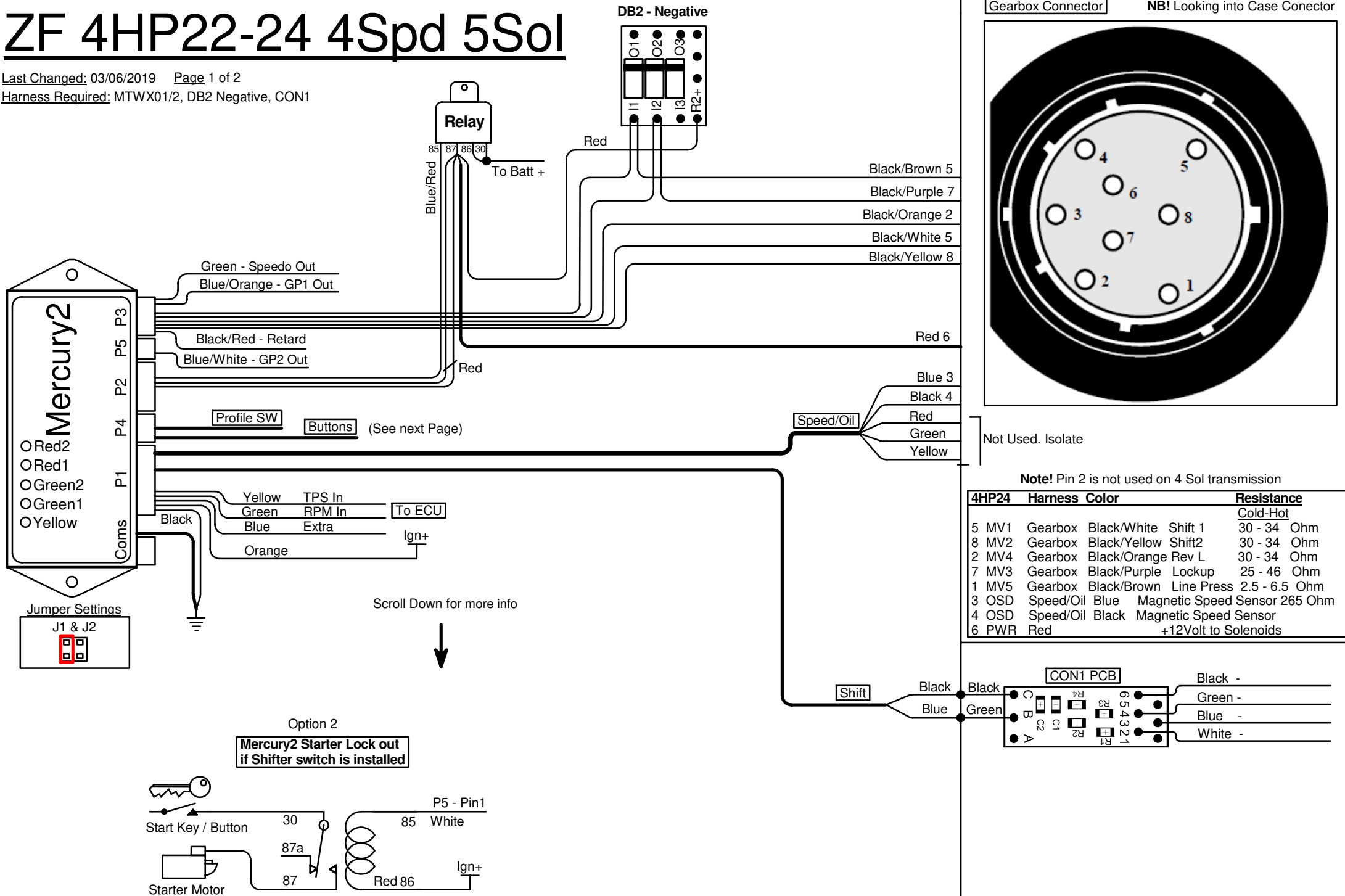


# ZF 4HP22-24 4Spd 5Sol

Last Changed: 03/06/2019 Page 1 of 2

Harness Required: MTWX01/2, DB2 Negative, CON1



**Note! Pin 2 is not used on 4 Sol transmission**

4HP24	Harness	Color	Resistance
			<u>Cold-Hot</u>
5	MV1 Gearbox	Black/White Shift 1	30 - 34 Ohm
8	MV2 Gearbox	Black/Yellow Shift2	30 - 34 Ohm
2	MV4 Gearbox	Black/Orange Rev L	30 - 34 Ohm
7	MV3 Gearbox	Black/Purple Lockup	25 - 46 Ohm
1	MV5 Gearbox	Black/Brown Line Press	2.5 - 6.5 Ohm
3	OSD Speed/Oil	Blue Magnetic Speed Sensor	265 Ohm
4	OSD Speed/Oil	Black Magnetic Speed Sensor	
6	PWR	Red +12Volt to Solenoids	

Scroll Down for more info

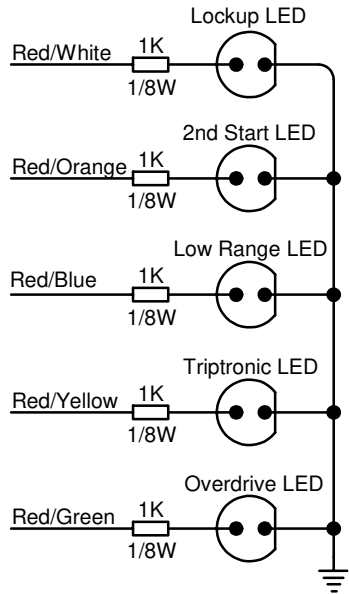


# ZF 4HP22-24 4Speed

Last Changed: 06/04/2019 Page 2 of 2

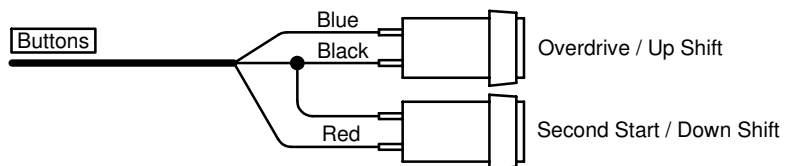
Harness Required: MTWX01/2, DB2 Negative, CON1

## LED's

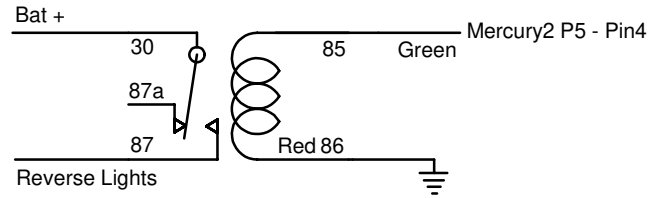


NB! Resistors are only for when wiring 3V LED's

## Tiptronic Buttons



## Reverse light Relay



## Timing Retard Circuit

TCU

ECU

P3 - Pin 5 Black/Red - Retart Output

ECU POT input

Mercury2  
Blue - Pin 5 - P4

Orion ECU  
Comms - Pin 4

## 4 Map Switch

