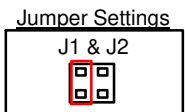
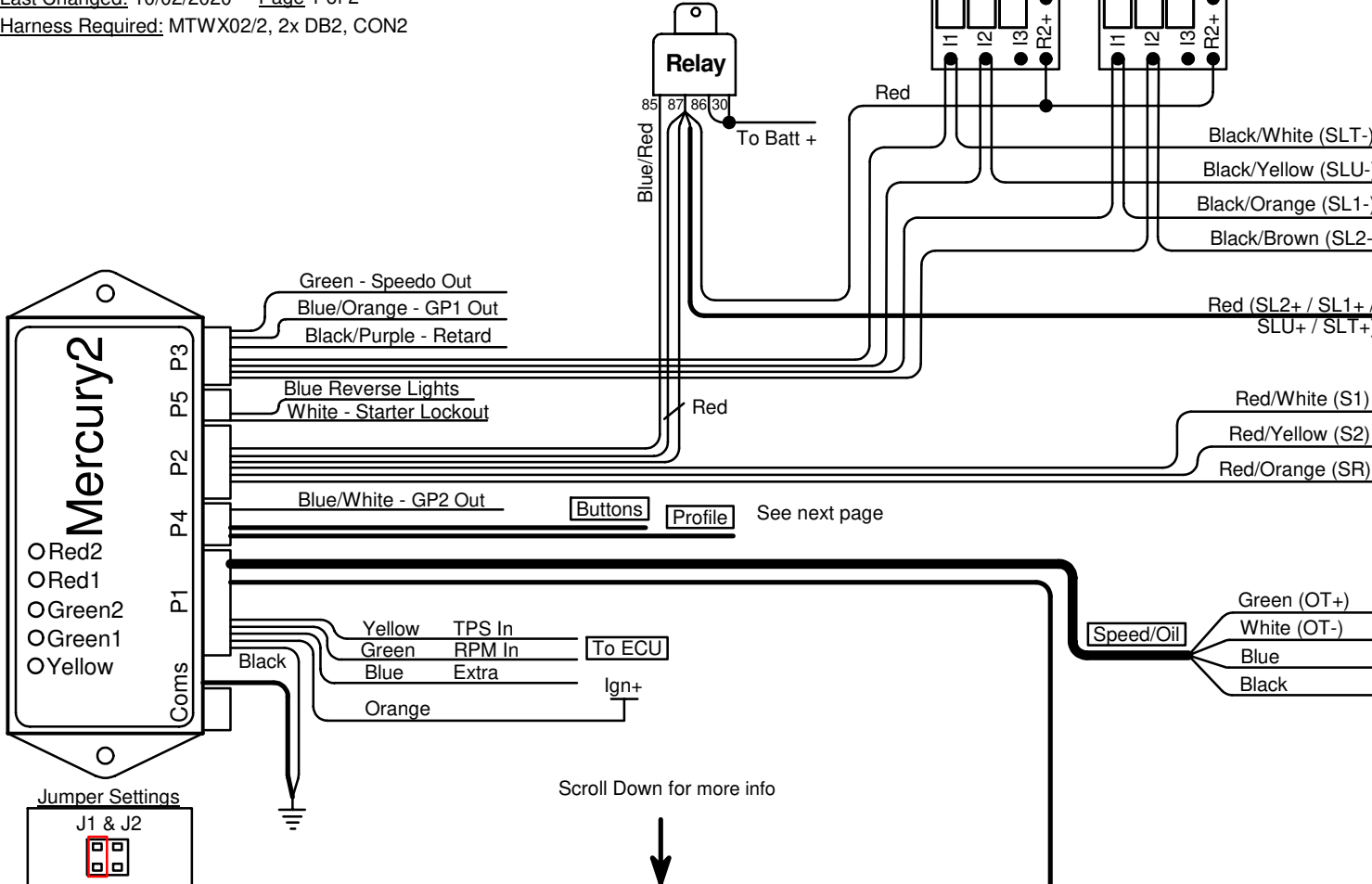
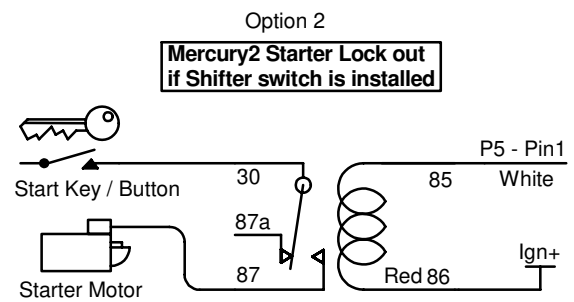


Aisin A750E 5Speed

Last Changed: 10/02/2020 Page 1 of 2
 Harness Required: MTWX02/2, 2x DB2, CON2

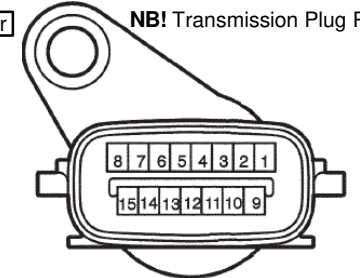


Scroll Down for more info



The starter inhibitor switch is used as a TCU sensor. The TCU provide outputs for Starter and reverselight relays.

Transmission Connector NB! Transmission Plug Pin View



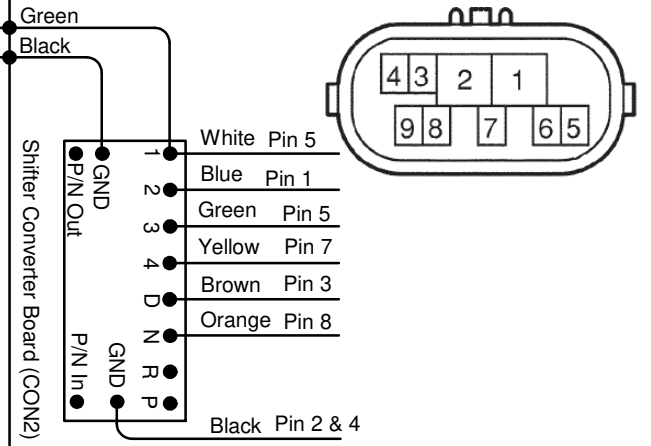
Pin	Harness	Color	Connector	Resistance	
				Cold	Hot
1	N/C				
2	Oil Temp	OT-	White	P1	
3	Gearbox	SL2-	Black/Brown	DB2 (P3)	5 5.6 Ω
4	Gearbox	SL1-	Black/Orange	DB1 (P3)	5 5.6 Ω
5	Gearbox	SLU-	Black/Yellow	DB1 (P3)	5 5.6 Ω
6	Gearbox	SLT-	Black/White	DB1 (P3)	5 5.6 Ω
7	Gearbox	SR	Red/Orange	P2	11 15 Ω
8	Gearbox	S1	Red/White	P2	11 15 Ω
9	N/C				
10	Oil Temp	OT+	Green	P1	79 156 Ω
11	12V	SL2+	Red		
12	12V	SL1+	Red		
13	12V	SLU+	Red		
14	12V	SLT+	Red		
15	Gearbox	S2	Red/Yellow	P2	11 15 Ω

Magnetic Speed Sensor NB! Harness Plug Pin View

Pin	Harness	Color
1	Speed/Oil	SP1- Black
2	Speed/Oil	SP Blue

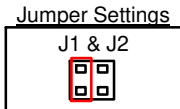
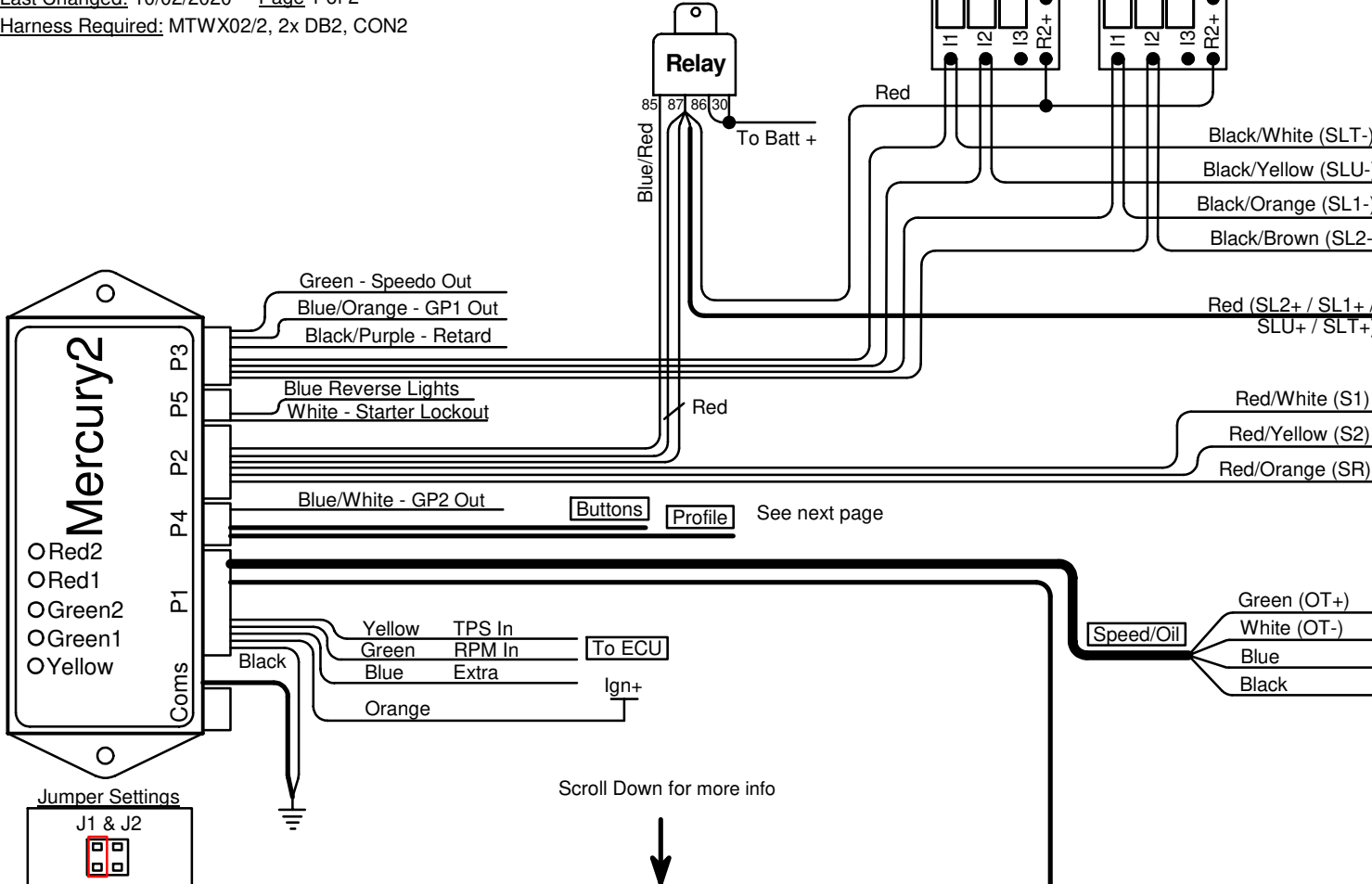


Transmission Selector Switch NB! Transmission Plug Pin View

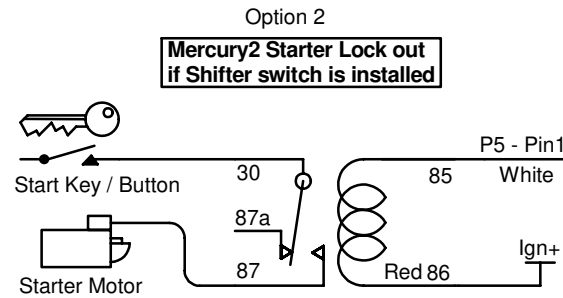


Aisin A750E 5Speed

Last Changed: 10/02/2020 Page 1 of 2
 Harness Required: MTWX02/2, 2x DB2, CON2

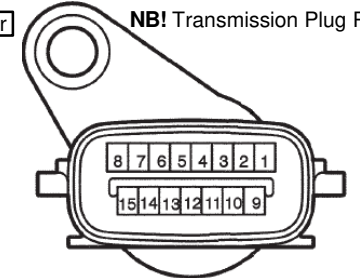


Scroll Down for more info



The starter inhibitor switch is used as a TCU sensor. The TCU provide outputs for Starter and reverselight relays.

Transmission Connector **NB!** Transmission Plug Pin View



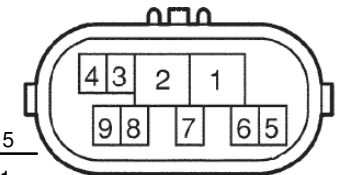
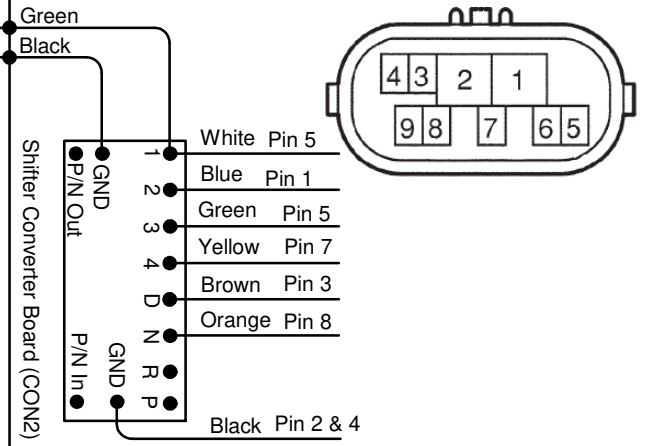
Pin	Harness	Color	Connector	Resistance	
				Cold	Hot
1	N/C				
2	Oil Temp	OT-	White	P1	
3	Gearbox	SL2-	Black/Brown	DB2 (P3)	5 5.6 Ω
4	Gearbox	SL1-	Black/Orange	DB1 (P3)	5 5.6 Ω
5	Gearbox	SLU-	Black/Yellow	DB1 (P3)	5 5.6 Ω
6	Gearbox	SLT-	Black/White	DB1 (P3)	5 5.6 Ω
7	Gearbox	SR	Red/Orange	P2	11 15 Ω
8	Gearbox	S1	Red/White	P2	11 15 Ω
9	N/C				
10	Oil Temp	OT+	Green	P1	79 156 Ω
11	12V	SL2+	Red		
12	12V	SL1+	Red		
13	12V	SLU+	Red		
14	12V	SLT+	Red		
15	Gearbox	S2	Red/Yellow	P2	11 15 Ω

Magnetic Speed Sensor **NB!** Harness Plug Pin View

Pin	Harness	Color
1	Speed/Oil	SP1- Black
2	Speed/Oil	SP Blue

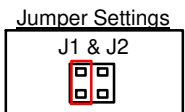
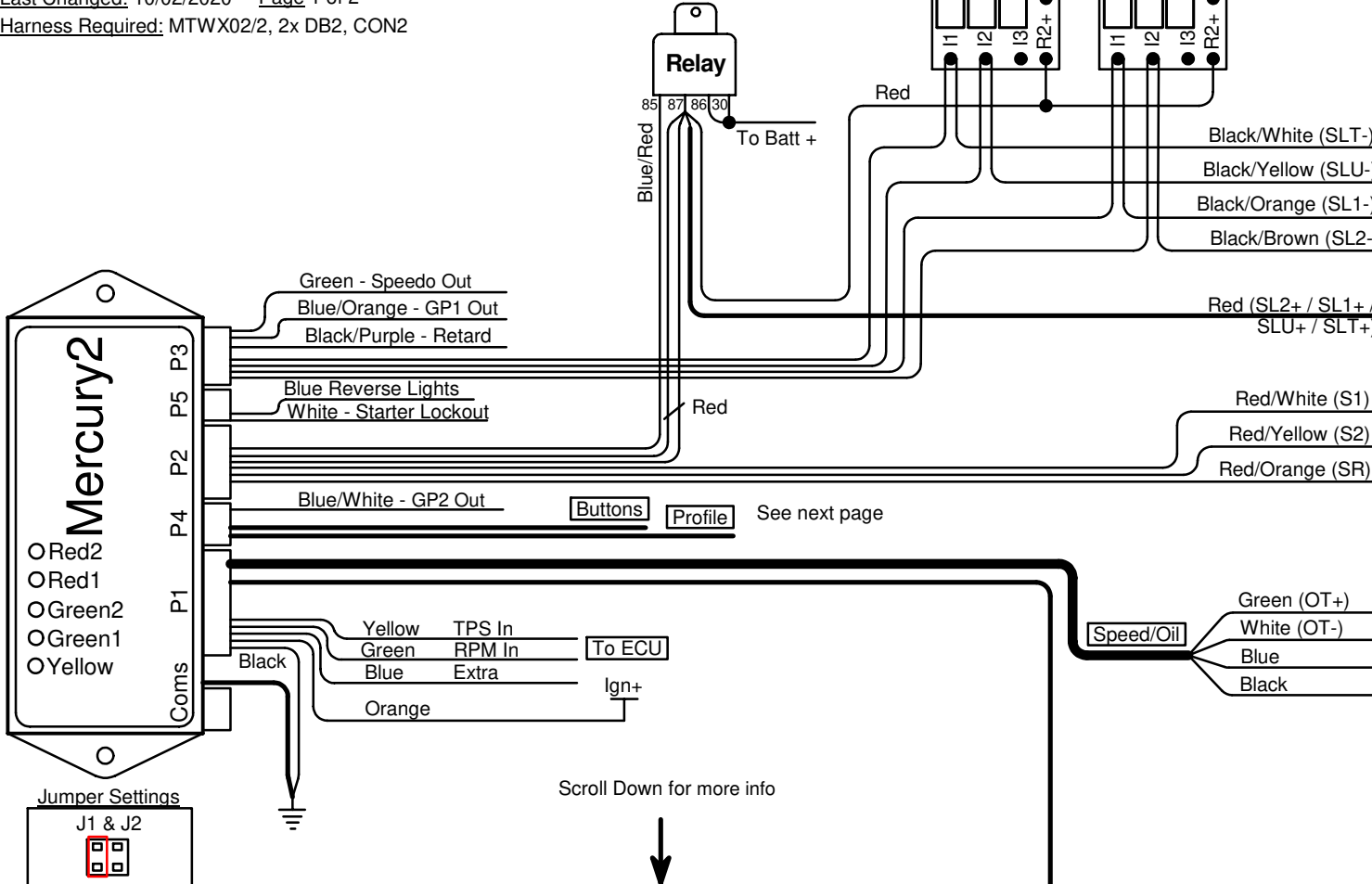


Transmission Selector Switch **NB!** Transmission Plug Pin View

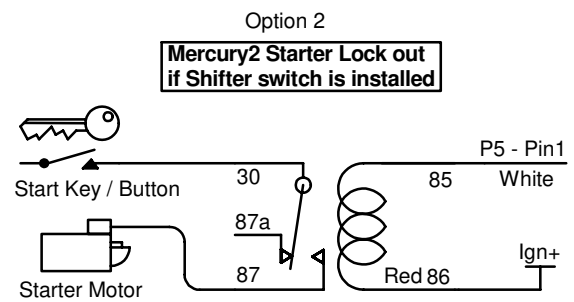


Aisin A750E 5Speed

Last Changed: 10/02/2020 Page 1 of 2
 Harness Required: MTWX02/2, 2x DB2, CON2

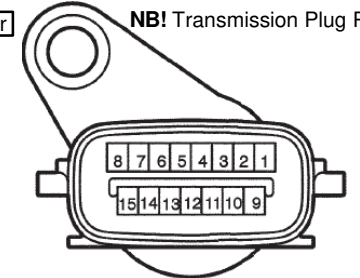


Scroll Down for more info



The starter inhibitor switch is used as a TCU sensor. The TCU provide outputs for Starter and reverselight relays.

Transmission Connector NB! Transmission Plug Pin View



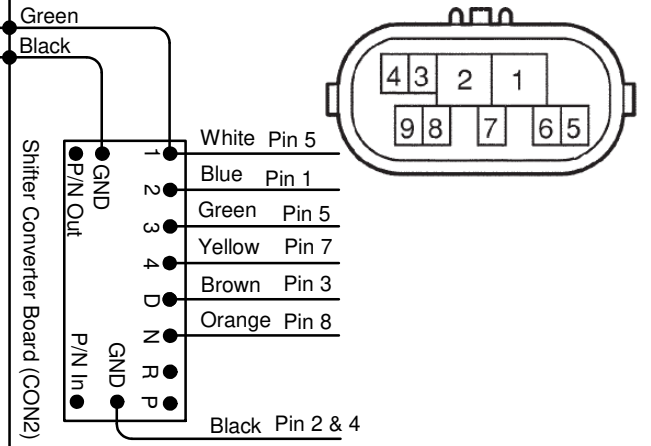
Pin	Harness	Color	Connector	Resistance	
				Cold	Hot
1	N/C				
2	Oil Temp	OT-	White	P1	
3	Gearbox	SL2-	Black/Brown	DB2 (P3)	5 5.6 Ω
4	Gearbox	SL1-	Black/Orange	DB1 (P3)	5 5.6 Ω
5	Gearbox	SLU-	Black/Yellow	DB1 (P3)	5 5.6 Ω
6	Gearbox	SLT-	Black/White	DB1 (P3)	5 5.6 Ω
7	Gearbox	SR	Red/Orange	P2	11 15 Ω
8	Gearbox	S1	Red/White	P2	11 15 Ω
9	N/C				
10	Oil Temp	OT+	Green	P1	79 156 Ω
11	12V	SL2+	Red		
12	12V	SL1+	Red		
13	12V	SLU+	Red		
14	12V	SLT+	Red		
15	Gearbox	S2	Red/Yellow	P2	11 15 Ω

Magnetic Speed Sensor NB! Harness Plug Pin View

Pin	Harness	Color
1	Speed/Oil	SP1- Black
2	Speed/Oil	SP Blue



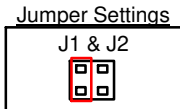
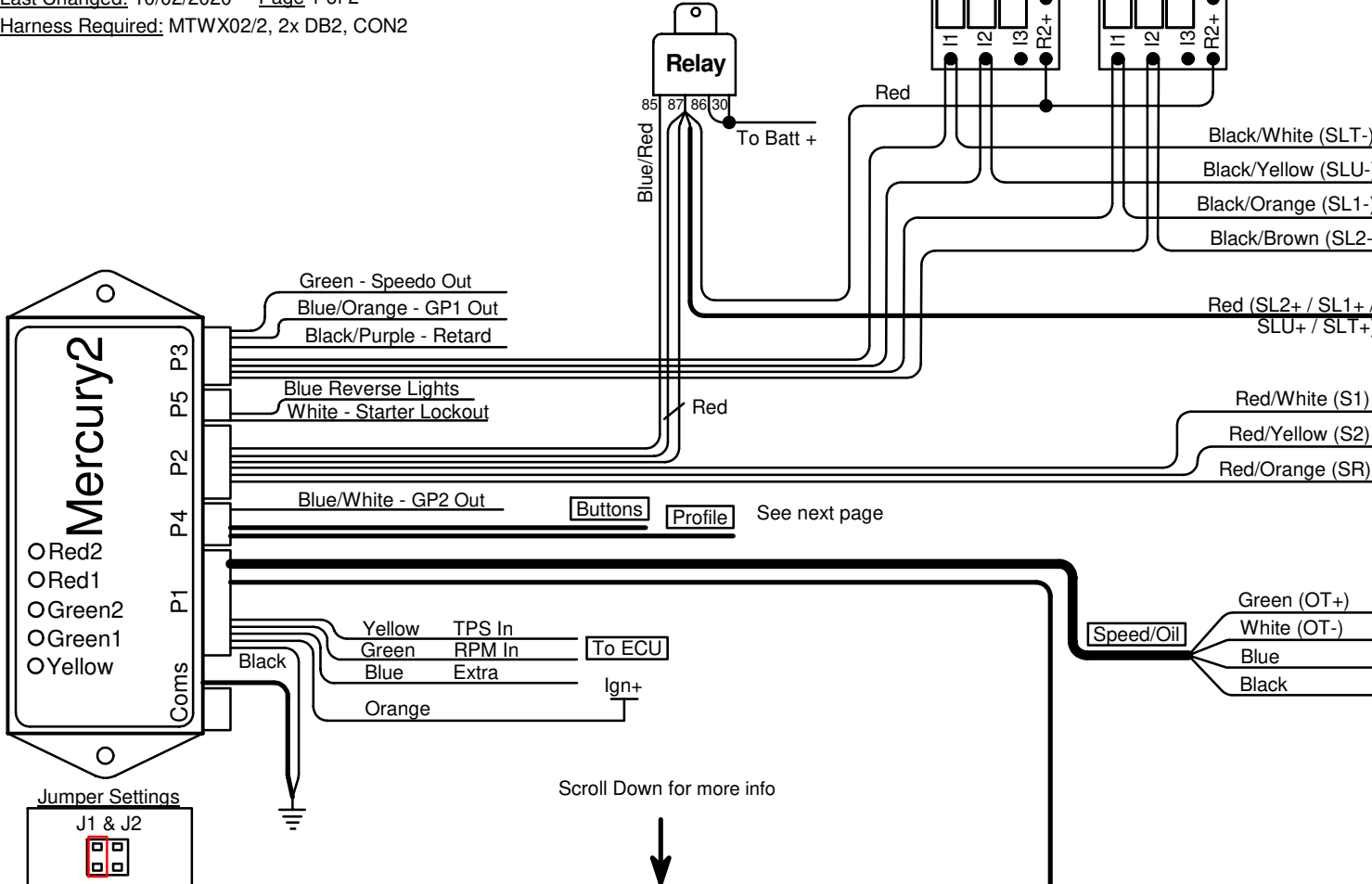
Transmission Selector Switch NB! Transmission Plug Pin View



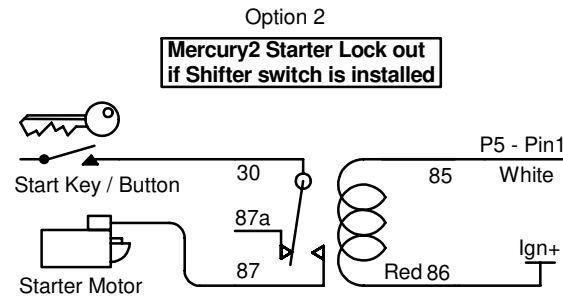
Aisin A750E 5Speed

Last Changed: 10/02/2020 Page 1 of 2

Harness Required: MTWX02/2, 2x DB2, CON2

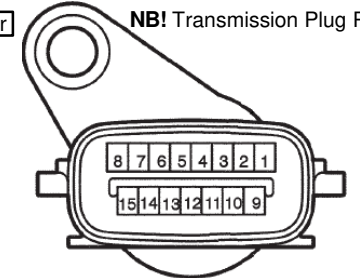


Scroll Down for more info



The starter inhibitor switch is used as a TCU sensor. The TCU provide outputs for Starter and reverselight relays.

Transmission Connector NB! Transmission Plug Pin View



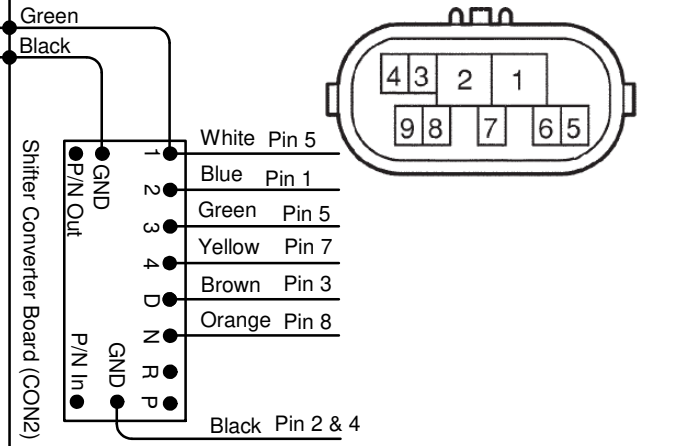
Pin	Harness	Color	Connector	Resistance	
				Cold	Hot
1	N/C				
2	Oil Temp	OT-	White	P1	
3	Gearbox	SL2-	Black/Brown	DB2 (P3)	5 5.6 Ω
4	Gearbox	SL1-	Black/Orange	DB1 (P3)	5 5.6 Ω
5	Gearbox	SLU-	Black/Yellow	DB1 (P3)	5 5.6 Ω
6	Gearbox	SLT-	Black/White	DB1 (P3)	5 5.6 Ω
7	Gearbox	SR	Red/Orange	P2	11 15 Ω
8	Gearbox	S1	Red/White	P2	11 15 Ω
9	N/C				
10	Oil Temp	OT+	Green	P1	79 156 Ω
11	12V	SL2+	Red		
12	12V	SL1+	Red		
13	12V	SLU+	Red		
14	12V	SLT+	Red		
15	Gearbox	S2	Red/Yellow	P2	11 15 Ω

Magnetic Speed Sensor NB! Harness Plug Pin View

Pin	Harness	Color
1	Speed/Oil	SP1- Black
2	Speed/Oil	SP Blue



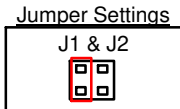
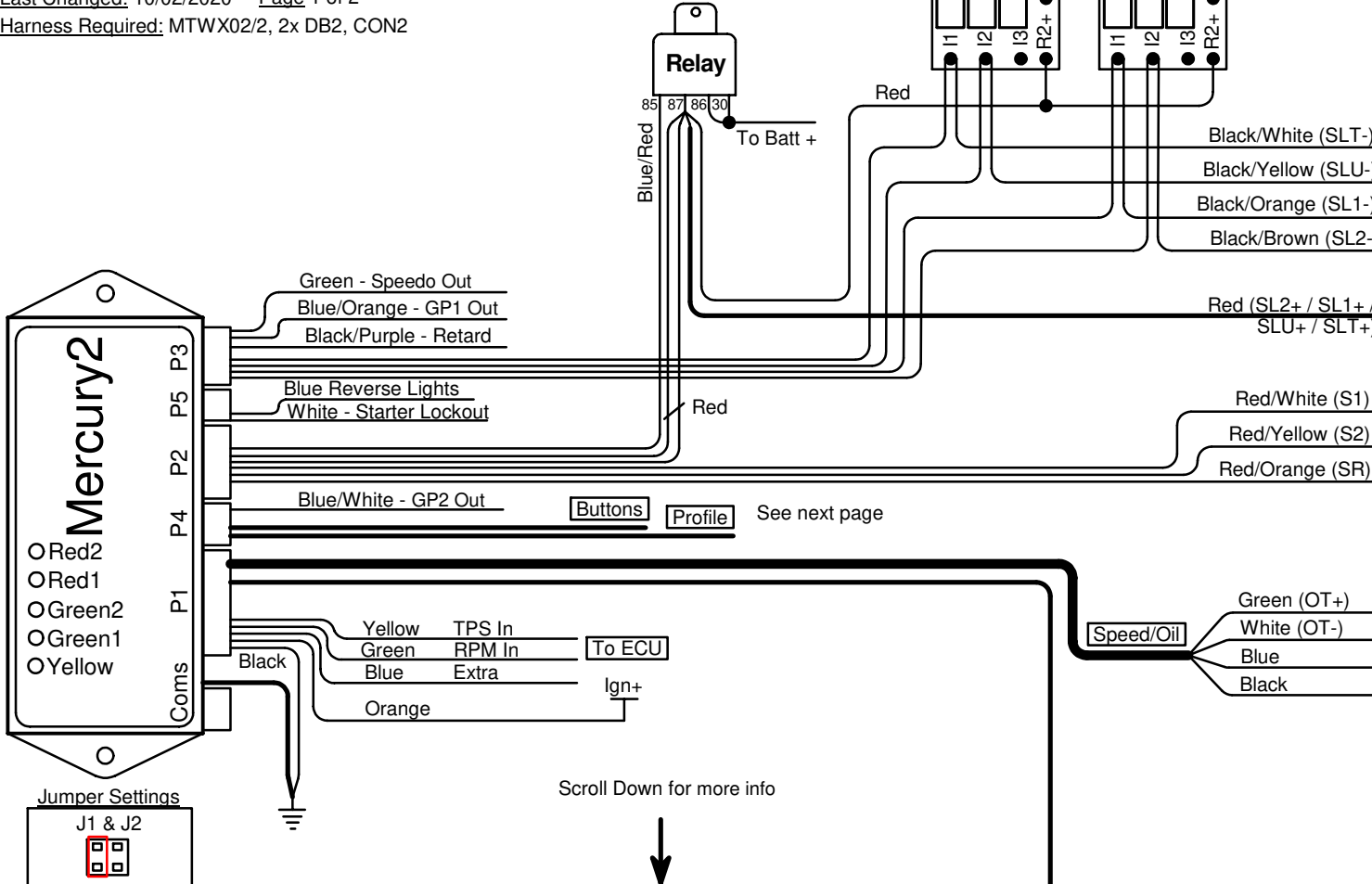
Transmission Selector Switch NB! Transmission Plug Pin View



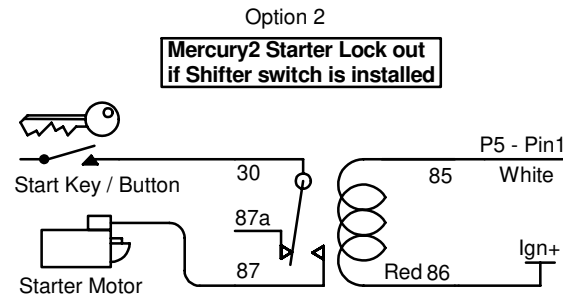
Aisin A750E 5Speed

Last Changed: 10/02/2020 Page 1 of 2

Harness Required: MTWX02/2, 2x DB2, CON2

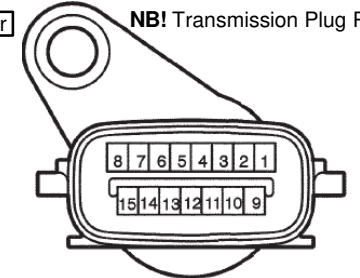


Scroll Down for more info



The starter inhibitor switch is used as a TCU sensor. The TCU provide outputs for Starter and reverselight relays.

Transmission Connector NB! Transmission Plug Pin View



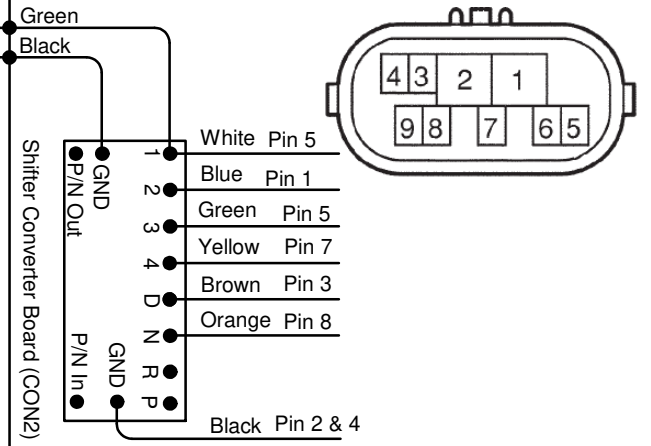
Pin	Harness	Color	Connector	Resistance	
				Cold	Hot
1	N/C				
2	Oil Temp	OT-	White	P1	
3	Gearbox	SL2-	Black/Brown	DB2 (P3)	5 5.6 Ω
4	Gearbox	SL1-	Black/Orange	DB1 (P3)	5 5.6 Ω
5	Gearbox	SLU-	Black/Yellow	DB1 (P3)	5 5.6 Ω
6	Gearbox	SLT-	Black/White	DB1 (P3)	5 5.6 Ω
7	Gearbox	SR	Red/Orange	P2	11 15 Ω
8	Gearbox	S1	Red/White	P2	11 15 Ω
9	N/C				
10	Oil Temp	OT+	Green	P1	79 156 Ω
11	12V	SL2+	Red		
12	12V	SL1+	Red		
13	12V	SLU+	Red		
14	12V	SLT+	Red		
15	Gearbox	S2	Red/Yellow	P2	11 15 Ω

Magnetic Speed Sensor NB! Harness Plug Pin View

Pin	Harness	Color
1	Speed/Oil	SP1- Black
2	Speed/Oil	SP Blue



Transmission Selector Switch NB! Transmission Plug Pin View

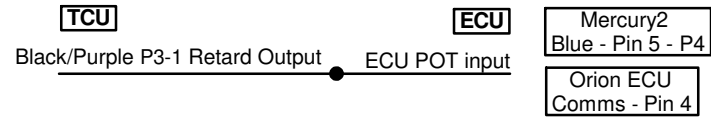


Aisin A750E 5Speed

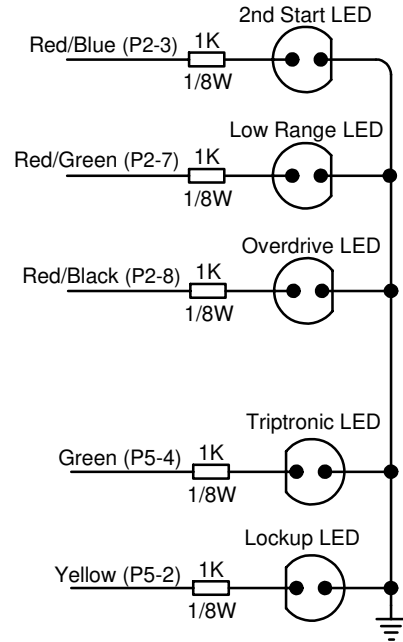
Last Changed: 10/02/2020 Page 2 of 2

Harness Required: MTWX02/2, 2x DB2, CON2

Timing Retard Circuit

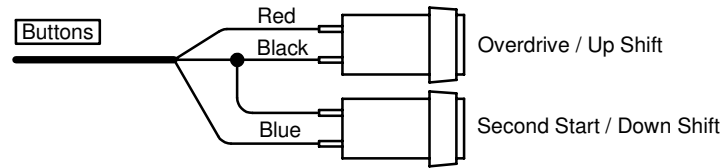


LED's

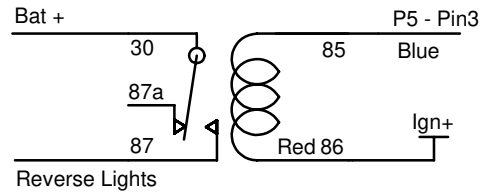


NB: Resistors are required for LED's

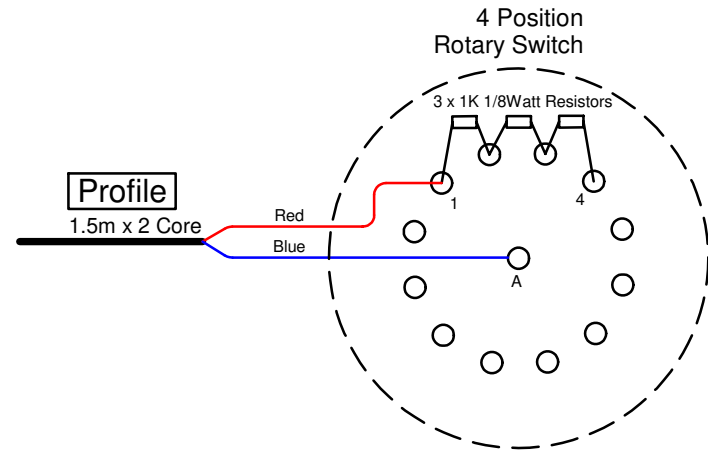
Tiptronic Buttons



Reverse light Relay



MAP Switch

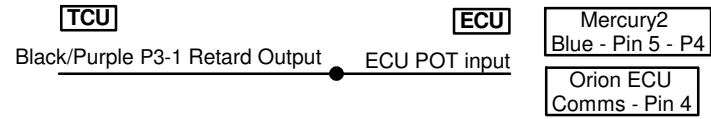


Aisin A750E 5Speed

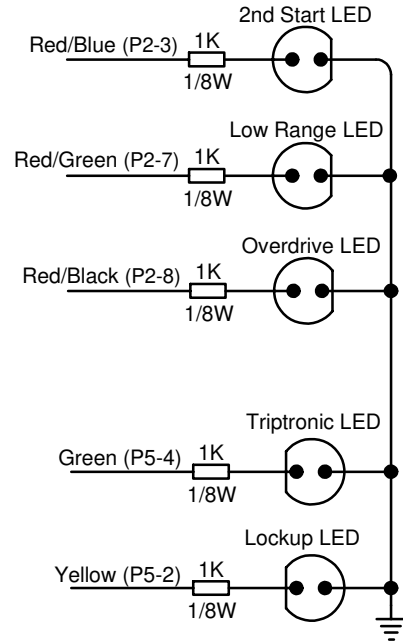
Last Changed: 10/02/2020 Page 2 of 2

Harness Required: MTWX02/2, 2x DB2, CON2

Timing Retard Circuit

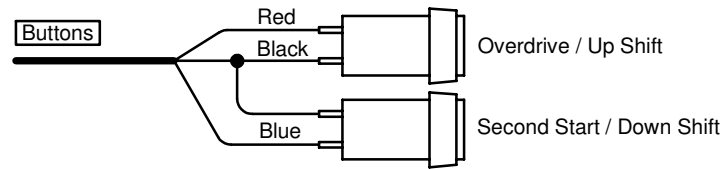


LED's

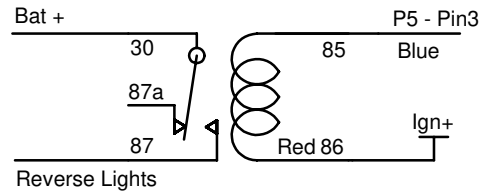


NB: Resistors are required for LED's

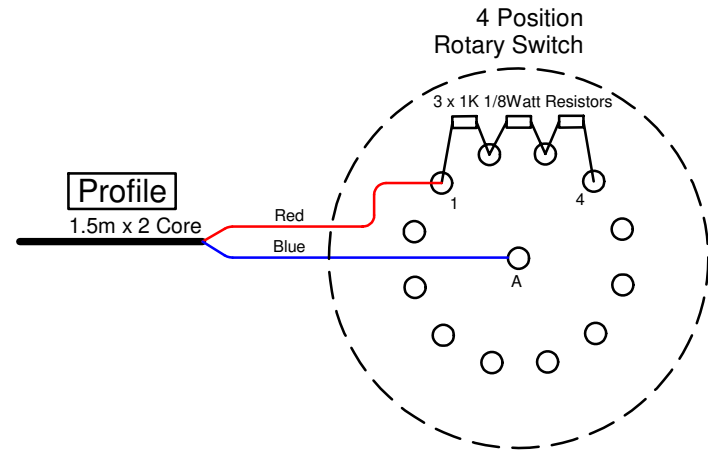
Tiptronic Buttons



Reverse light Relay



MAP Switch

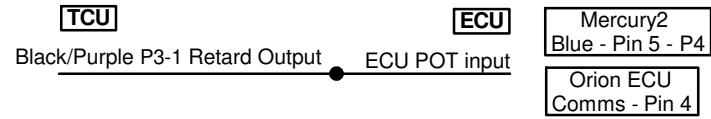


Aisin A750E 5Speed

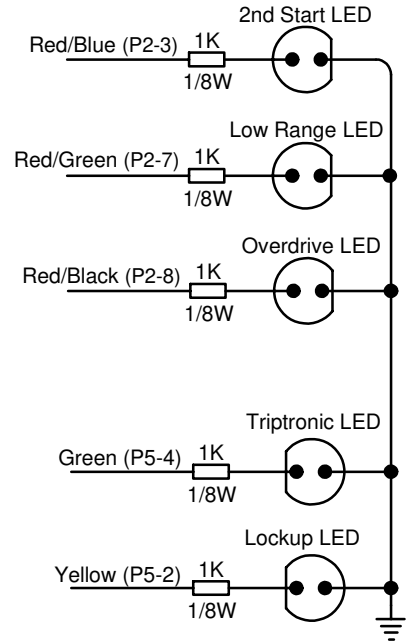
Last Changed: 10/02/2020 Page 2 of 2

Harness Required: MTWX02/2, 2x DB2, CON2

Timing Retard Circuit

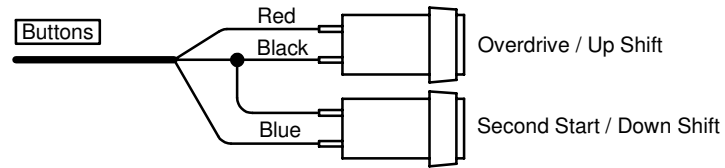


LED's

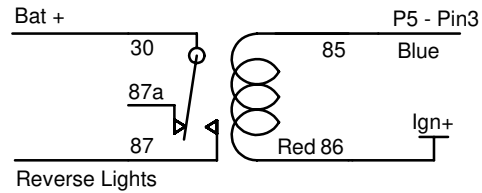


NB: Resistors are required for LED's

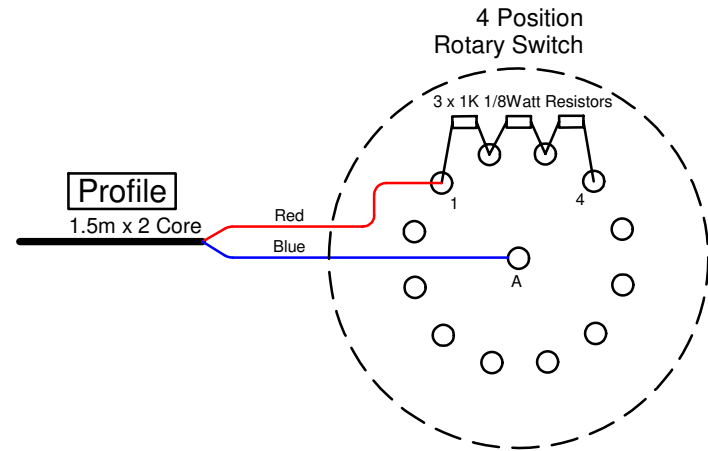
Tiptronic Buttons



Reverse light Relay



MAP Switch

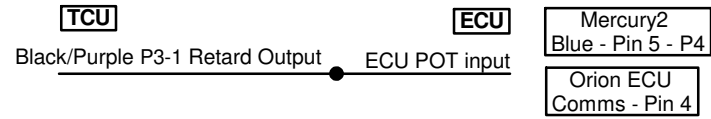


Aisin A750E 5Speed

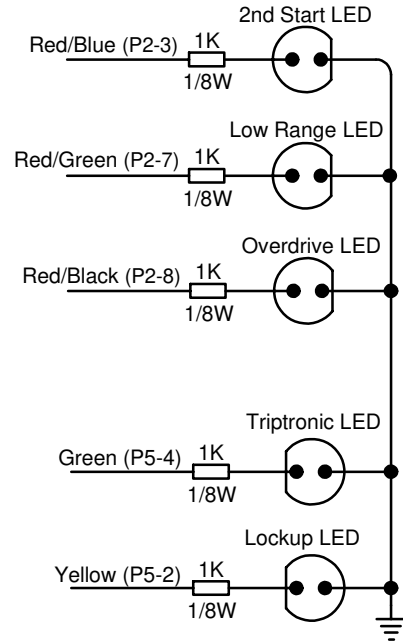
Last Changed: 10/02/2020 Page 2 of 2

Harness Required: MTWX02/2, 2x DB2, CON2

Timing Retard Circuit

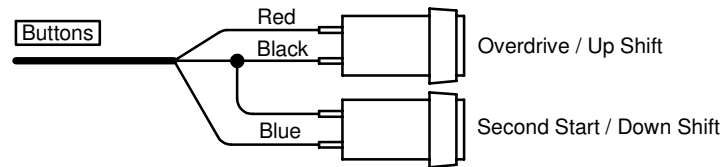


LED's

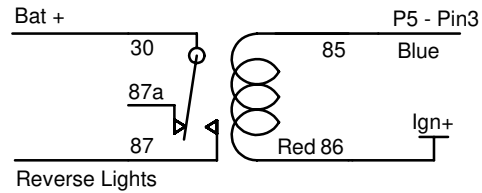


NB: Resistors are required for LED's

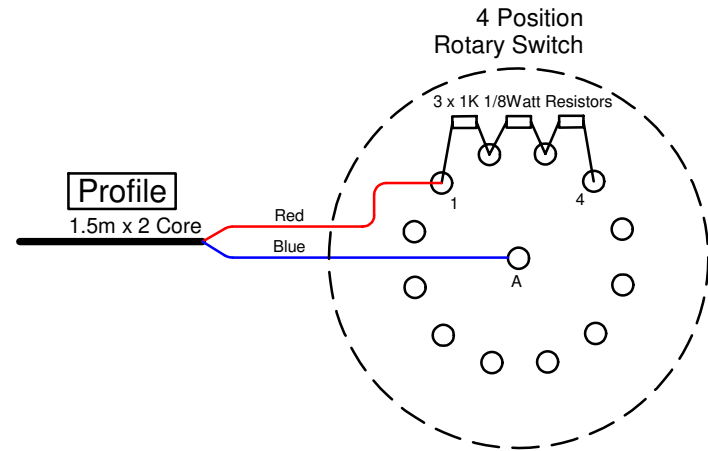
Tiptronic Buttons



Reverse light Relay



MAP Switch

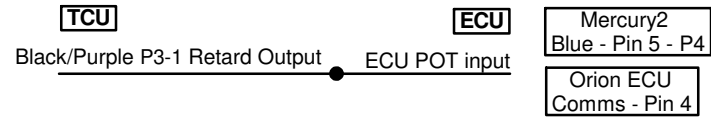


Aisin A750E 5Speed

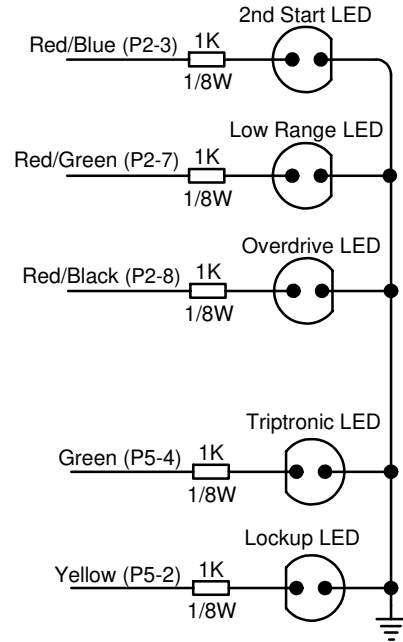
Last Changed: 10/02/2020 Page 2 of 2

Harness Required: MTWX02/2, 2x DB2, CON2

Timing Retard Circuit

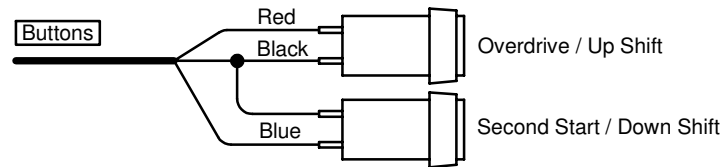


LED's

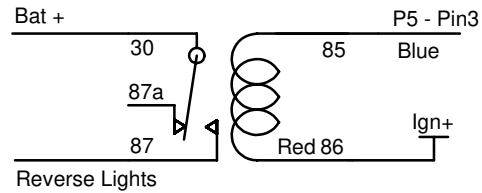


NB: Resistors are required for LED's

Tiptronic Buttons



Reverse light Relay



MAP Switch

